

AXOR Universal Accessories
AXOR Universal Towel Bar/Rail, Medium
 Finishes : brushed nickel Part no. : 42832820



Description

Features

- Serves as a towel bar and rail for additional accessories (requires # 42870XXX Modular Adaptor Set)
- Metal
- Wall-mounted

Item details

Design awards



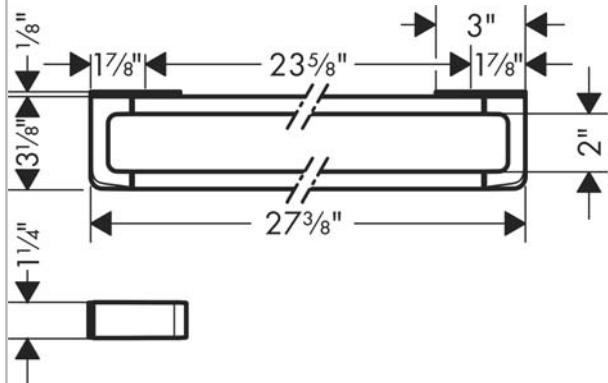
Compliance



Product image



Scale drawing

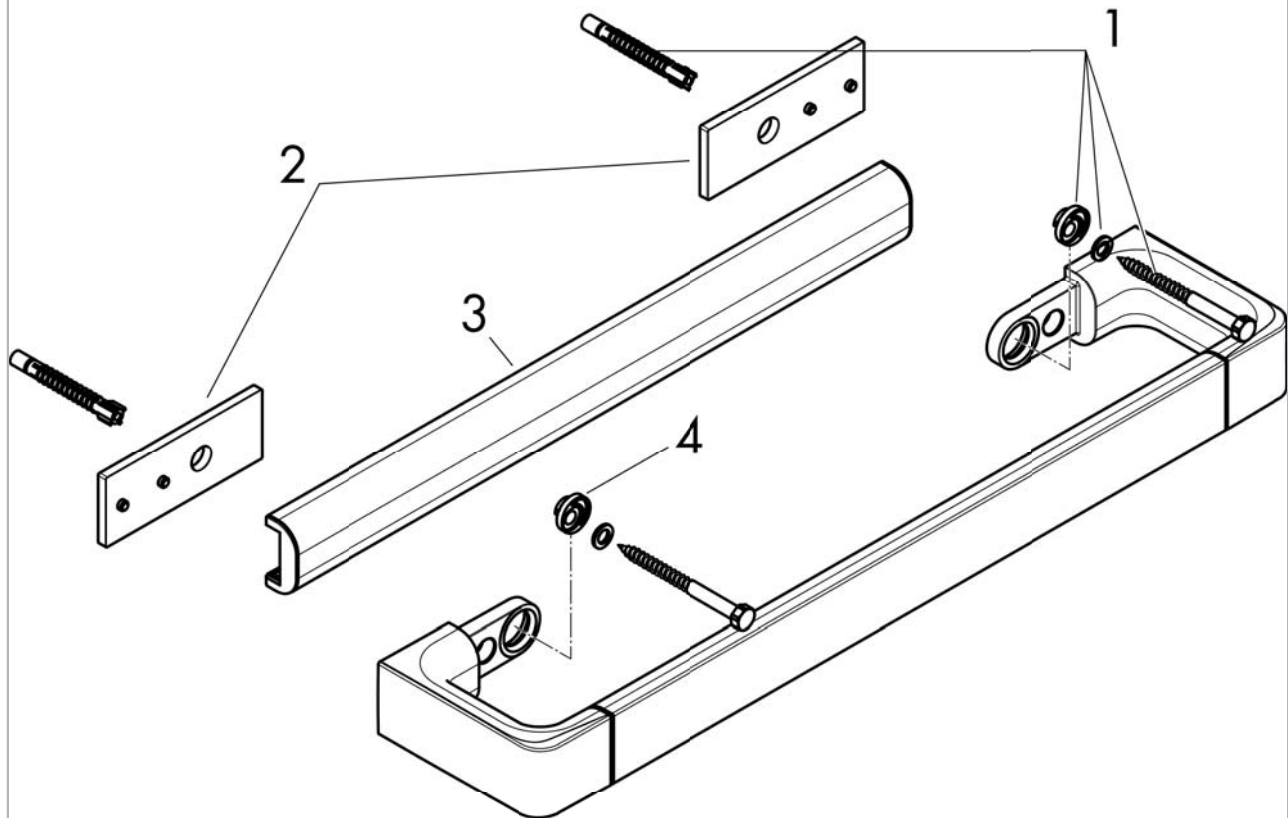


AXOR Universal Accessories
AXOR Universal Towel Bar/Rail, Medium
Finishes : brushed nickel Part no. : 42832820



Exploded drawing

Year of production: >01/16



AXOR Universal Accessories
AXOR Universal Towel Bar/Rail, Medium
 Finishes : **brushed nickel** Part no. : **42832820**



Spare parts list

Year of production: >01/16

Pos.	Description	Part no.	Price	PU
1	mounting set	92841000	-	1
2	tile-matching-disk	92406820	-	1
3	cover	92434820	-	1
4	excentric socket	97604000	-	1
a	set of adapters	42870000	-	1
b	set of covers	42871820	-	1
c	mounting kit for two-sided glass montage	42841000	-	1