

## AXOR Montreux Toilet Paper Holder

Finishes : **polished nickel**    Part no. : **42036830**



### Description

#### Features

- Metal
- Wall-mounted

### Item details

List Price

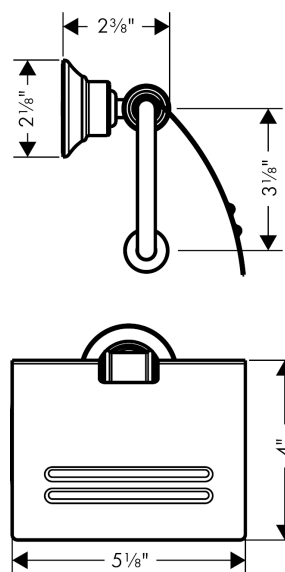
### Compliance



### Product image



### Scale drawing



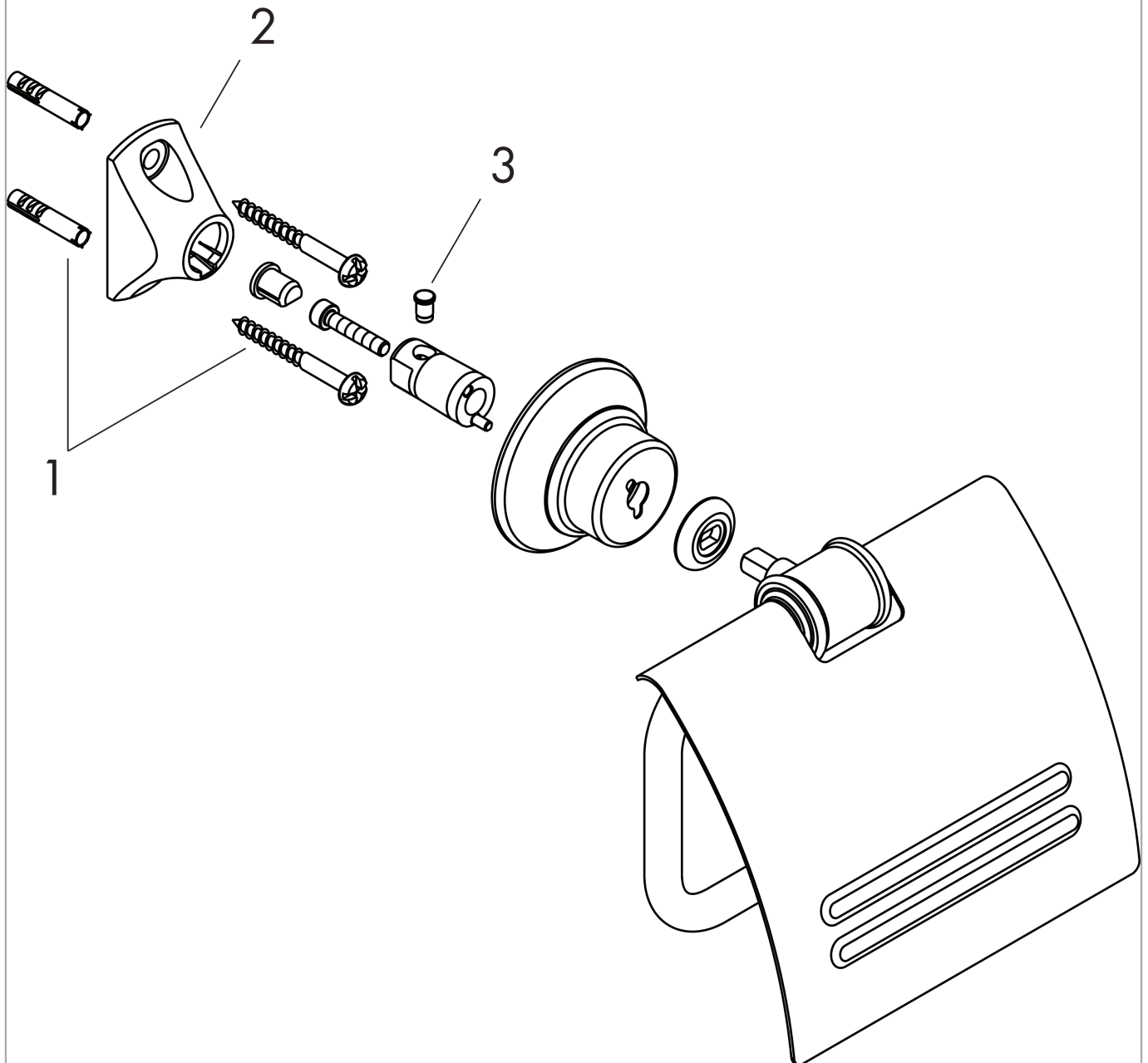
**AXOR Montreux  
Toilet Paper Holder**

Finishes : **polished nickel**    Part no. : **42036830**



**Exploded drawing**

Year of production: **05/06 - 12/12**



**AXOR Montreux  
Toilet Paper Holder**

Finishes : **polished nickel**    Part no. : **42036830**



## Spare parts list

Year of production: **05/06 - 12/12**

<b>Pos.</b>	<b>Description</b>	<b>Part no.</b>	<b>Price</b>	<b>PU</b>
1	mounting set	40915000	-	1
2	support element	96341000	-	1
3	pin	97546000	-	1