

## AXOR Montreux Toilet Paper Holder

Finishes : **brushed nickel** Part no. : **42036820**



### Description

#### Features

- Metal
- Wall-mounted

### Item details

List Price

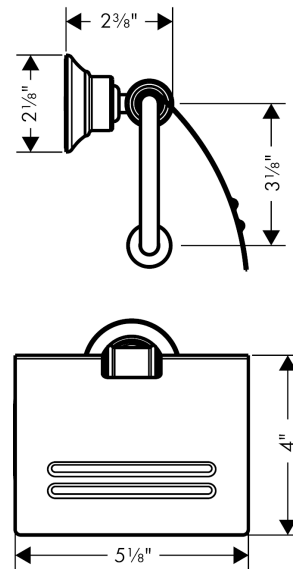
### Compliance



### Product image



### Scale drawing



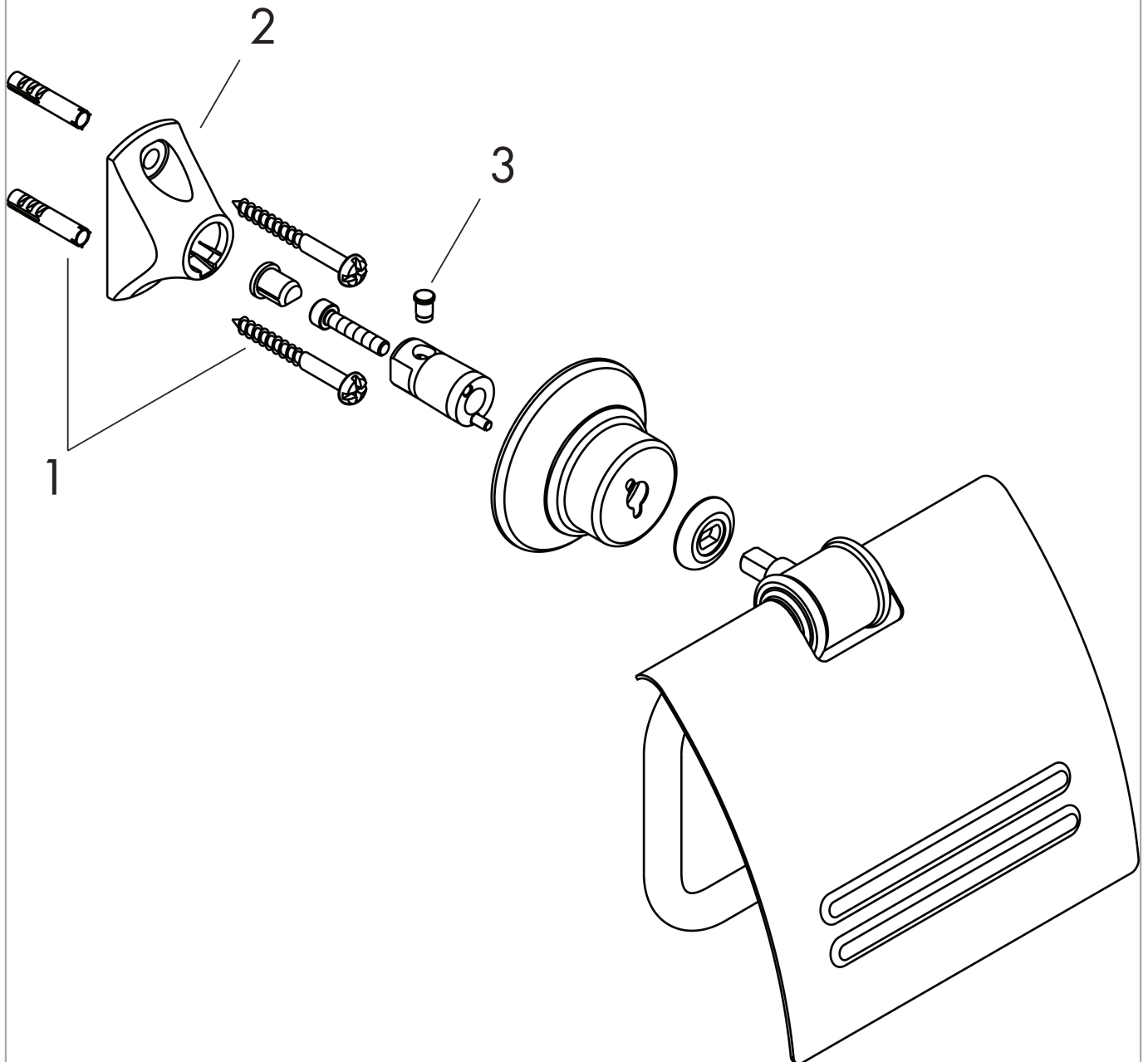
**AXOR Montreux  
Toilet Paper Holder**

Finishes : **brushed nickel**    Part no. : **42036820**



**Exploded drawing**

Year of production: >05/06



**AXOR Montreux  
Toilet Paper Holder**

Finishes : **brushed nickel**    Part no. : **42036820**



## Spare parts list

Year of production: >05/06

Pos.	Description	Part no.	Price	PU
1	mounting set	40915000	-	1
2	support element	96341000	-	1
3	pin	97546000	-	1