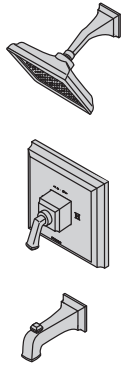



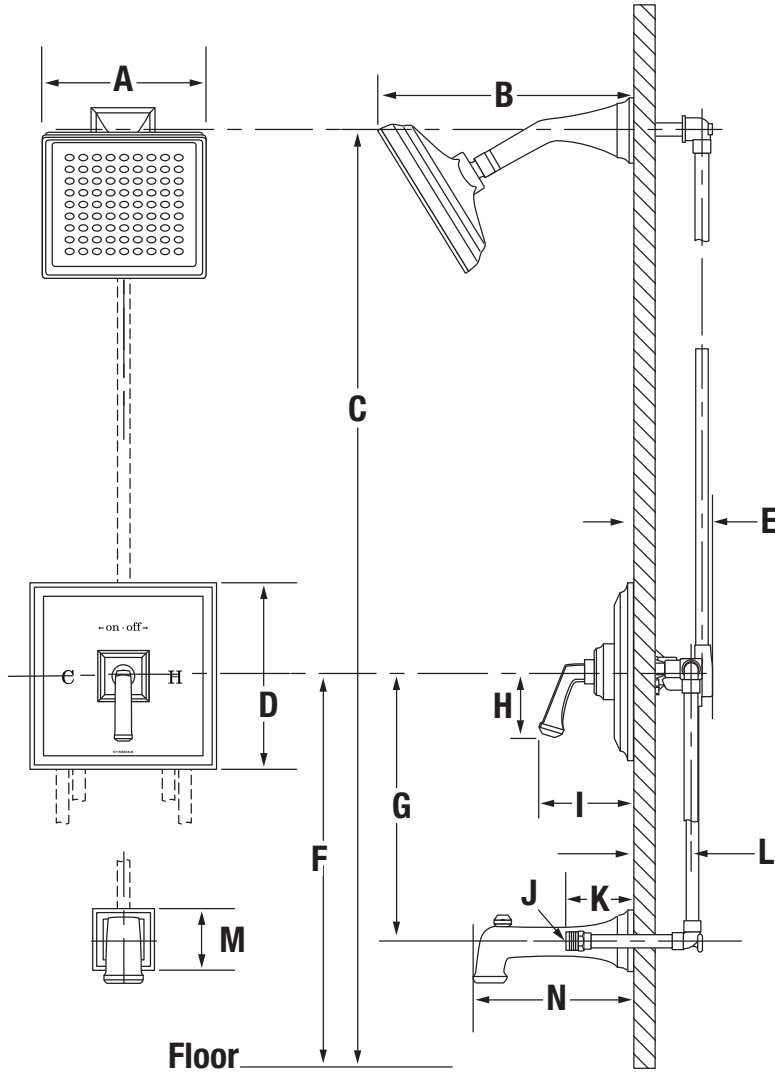


4200-TRM, 4201-TRM, 4202-TRM  
 Oxford® Tub/Hand Shower Trim Series  
**Operation & Maintenance Manual**



Model Numbers	Specifications
<input type="checkbox"/> <b>4200-TRM</b> <i>Valve Trim</i>  <input type="checkbox"/> <b>4201-TRM</b> <i>Shower Trim</i>  <input type="checkbox"/> <b>4202-TRM</b> <i>Tub/Shower Trim</i>	Tub/shower trim with lever handle includes diverter tub spout and 1 mode showerhead with standard 2.5 gpm (p.5 L/min) flow restrictor. Shower trim with lever handle includes all of the above less diverter tub spout. Valve trim with lever handle includes shower escutcheon only. Components made from metal and nonmetallic materials plated in standard polished chrome finish.
Modifications	Compliance
<input type="checkbox"/> <b>-1.5</b> <i>1.5 gpm (5.7 L/min) flow restrictor</i> <input type="checkbox"/> <b>-2.0</b> <i>2.0 gpm (7.6 L/min) flow restrictor</i> <input type="checkbox"/> <b>-ORB</b> <i>Oil rubbed bronze finish</i> <input type="checkbox"/> <b>-STN</b> <i>Satin nickel finish</i>	-ASME A112.18.1; CSA B125.1    <b>⚠ WARNING:</b> This product can expose you to chemicals including lead, which is known to the state of California to cause cancer, birth defects, or other reproductive harm. For more information, go to <a href="http://www.P65Warnings.ca.gov">www.P65Warnings.ca.gov</a> .
<p><b>Note:</b> Append appropriate -suffix to model number.</p>	<b>Warranty</b>  <b>Limited Lifetime</b> - to the original end purchaser in consumer installations. <b>5 Years</b> - for commercial installations.  Refer to <a href="http://www.symmons.com/warranty">www.symmons.com/warranty</a> for complete warranty information.

## Dimensions

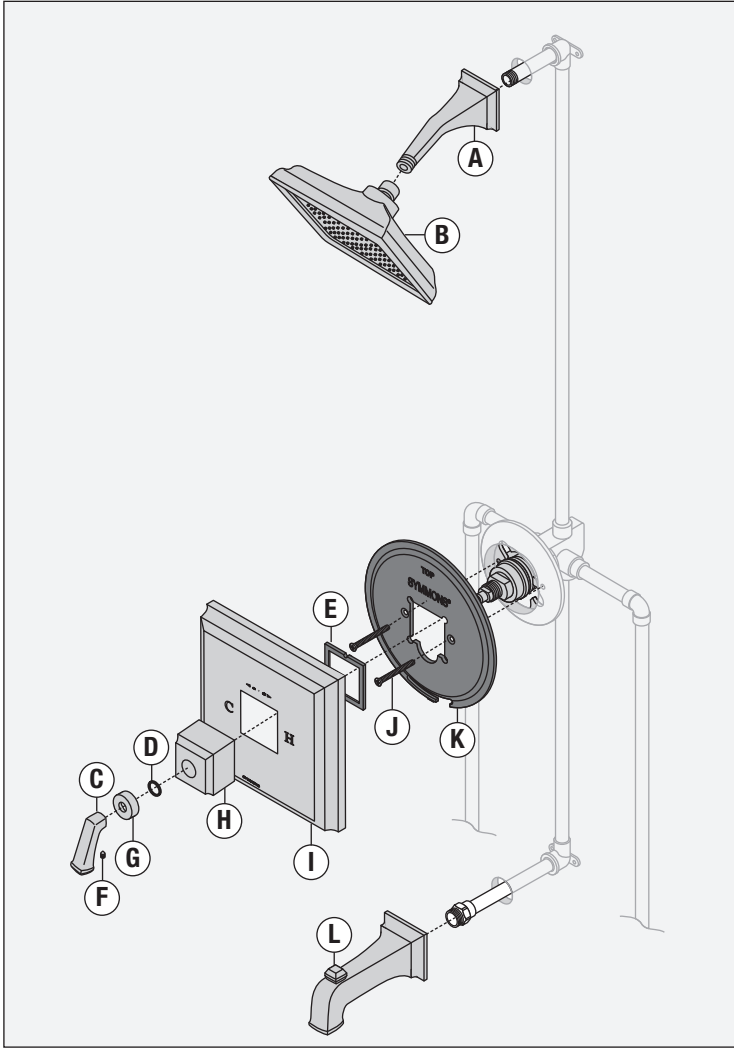


Measurements	
A	6 1/2", 165 mm
B	9 5/8", 245 mm
C	77", 1956
D	7 1/2", 191 mm
E	3 1/2", 89 mm
F	32", 813 mm (4202-TRM) 42", 1067 mm (4200-TRM, 4201-TRM)
G	12", 305 mm
H	2 9/16", 65 mm
I	4", 102 mm
J	1/2" NPT
K	4", 102 mm
L	(Rough in) 2" ± 1/4", 51 mm ± 6 mm
M	2 1/2", 64 mm
N	6 1/2", 165 mm

### Notes:

- 1) All dimensions measured from nominal rough-in (see L as reference).
- 2) Dimensions are subject to change without notice.

## Parts Breakdown



### Replacement Parts


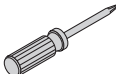


Item	Description	Part Number
A	Shower Arm	422SA
B	Showerhead	422SH
C F G	Handle Set Screw Flange	T-549
D H	Locking Ring Dome Cover	T-543
L	Tub Spout	422TSD
E I J K	Gasket Shower Escutcheon Mounting Screws Mounting Plate	T-542-NS-K001

#### Notes:

1) Append -ORB to part number for oil rubbed bronze finish; -STN for satin nickel.

2) Append -1.5 or -2.0 to showerhead for low flow.

### Required for Installation

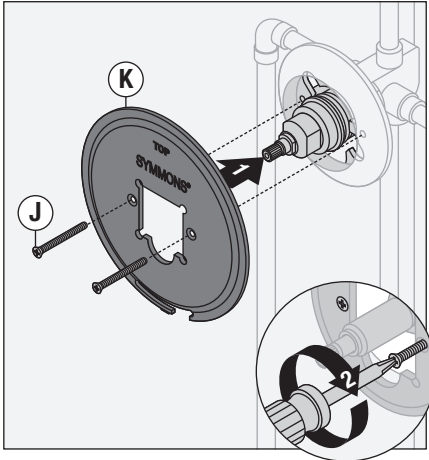
Adjustable wrench	
Phillips head screwdriver	
Allen wrench (1/8")	
Plumber tape	

## Installation

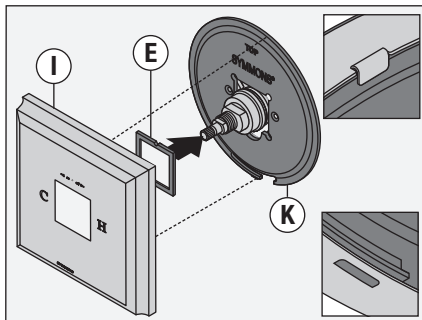
### Note:

For valve body installation, please see valve body installation guide.

- 1) Install mounting plate (K) to shower valve (4000-BODY). Secure with two screws (J).

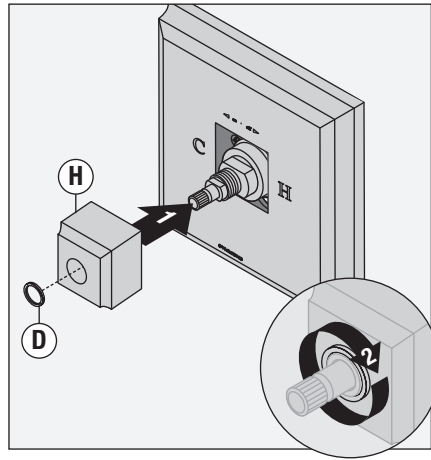


- 2) Attach gasket (E) to back of shower escutcheon (I). Attach shower escutcheon (I) to mounting plate (K).

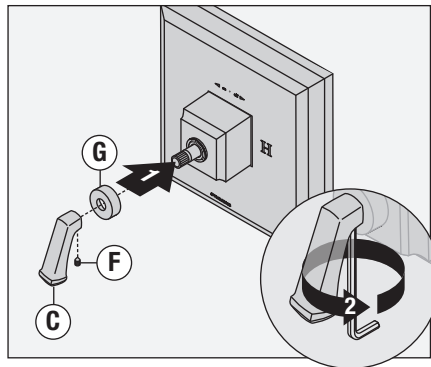


**Note:** Tabs should snap into place.

- 3) Install dome cover (H). Secure with lock ring (D).

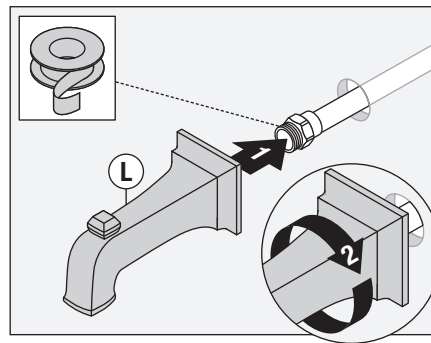


- 4) Install handle (C) and flange (G) to valve. Secure handle by tightening set screw (F).

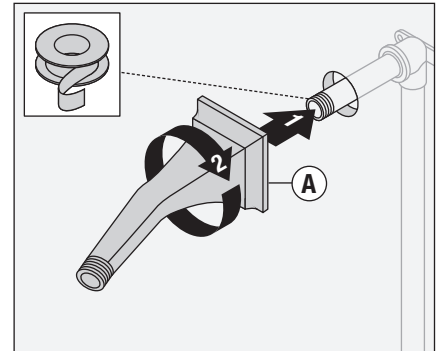


**Note:** Handle should be facing the 6 o'clock position.

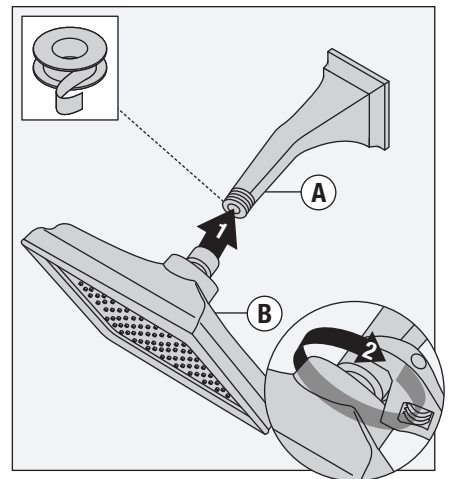
- 5) Install tub spout (L) to pipe fitting. Turn clockwise to secure.



- 6) Attach shower arm (A) to vertical shower pipe turning clockwise to tighten.



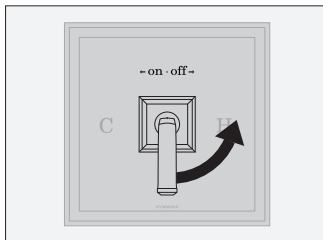
- 7) Install showerhead (B) to shower arm (A) turning clockwise to tighten.



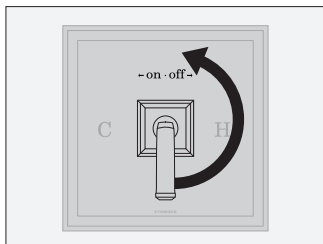
## Operation

### Temperature Control

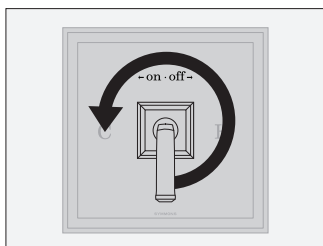
- 1) Turn shower handle counterclockwise approximately 1/4 turn to put valve in cold position.



- 2) Turn shower handle counterclockwise approximately 1/2 turn to put valve in warm position.



- 3) Turn shower handle counterclockwise approximately 3/4 turn to put valve in hot position.



### Care and Cleaning

- 1) Clean finished trim area with a soft cloth using mild soap and water or a non-abrasive cleaner and then quickly rinse with water.

### Troubleshooting Chart

Problem	Cause	Solution
Finish is spotting.	Elements in water supply may cause water staining on finish.	Clean finished trim area with a soft cloth using mild soap and water or a non-abrasive cleaner and then quickly rinse with water.