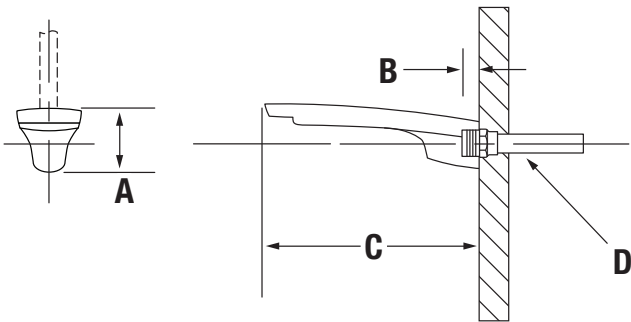


412TS
 Naru™ Non-Diverter Tub Spout
Operation & Maintenance Manual

Model Numbers	Specifications
<input type="checkbox"/> 412TS <i>Non-Diverter Tub Spout</i>	Non-diverter tub spout made from brass plated in standard polished chrome finish.
Modifications	Warranty
<input type="checkbox"/> -PNL <i>Polished nickel finish</i> <input type="checkbox"/> -STN <i>Satin nickel finish</i>	Limited Lifetime - to the original end purchaser in consumer installations. 5 Years - for commercial installations. Refer to www.symmons.com/warranty for complete warranty information.
Note: Append appropriate -suffix to model number.	

Dimensions



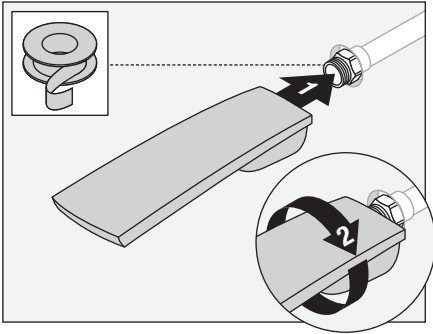
Measurements	
A	2 1/8", 54 mm
B	1/2", 13 mm
C	7 1/8", 181 mm
D	1/2" NPT

Required for Installation	
Plumber tape	

Note: Append appropriate -suffix to model number.

Installation

1) Install tub spout to pipe fitting. Turn clockwise to secure.



Care and Cleaning

1) Clean finished trim area with a soft cloth using mild soap and water or a non-abrasive cleaner and then quickly rinse with water.
