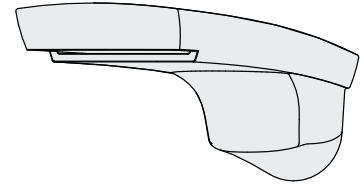




SYMMONS® Naru™

Tub Spout 412TS

Specification Submittal



Model Numbers

- 412TS.....Chrome finish
- 412TS-STN.....Satin nickel finish
- 412TS-PNL.....Polished nickel finish

Standards / Certifications

ASME A112.18.1-2005/CSA B125.1-05

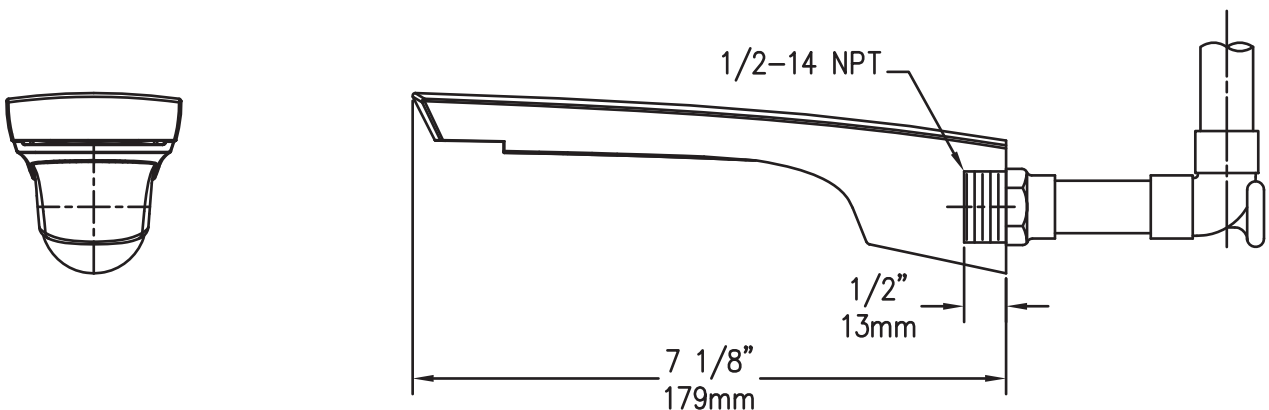
Feature Highlights

- Metal construction, polished chrome finish

Warranty

- Limited Lifetime - to the original end purchaser in consumer installations.
- 5 years - for commercial installations

Dimensions *Naru Tub Spout, 412TS*



Note: Dimensions subject to change without notice.

Symmons Industries, Inc. ■ 31 Brooks Drive ■ Braintree, MA 02184
(800) 796-6667, (781) 848-2250 ■ Fax (800) 961-9621, (781) 843-3849
Website: www.symmons.com ■ Email: customerservice@symmons.com

©2008 Symmons Industries, Inc. Printed in U.S.A. ■ 080608



SYMMONS®

the smart choice™