

AXOR ShowerSolutions
AXOR ShowerCollection Shower Shelf Trim, 10"x5"
Finishes : **chrome** Part no. : **40873000**



Description

Features

- Metal
- for use with either vertical or horizontal installation of the basic set
- when positioning the shelf between waterconducting parts (no.10755XXX, no.10751XXX, no.10942XXX, no.10972XXX, no.10651XXX, no.28491XXX) in joined installation (10mm distance), it is recommended to use basic set no.40878180
- suitable for installation with or without basic set # 40878180

Item details

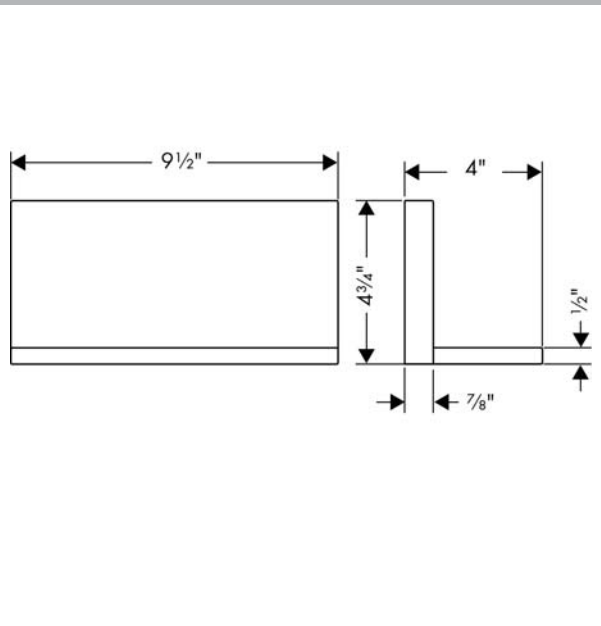
Compliance



Product image



Scale drawing

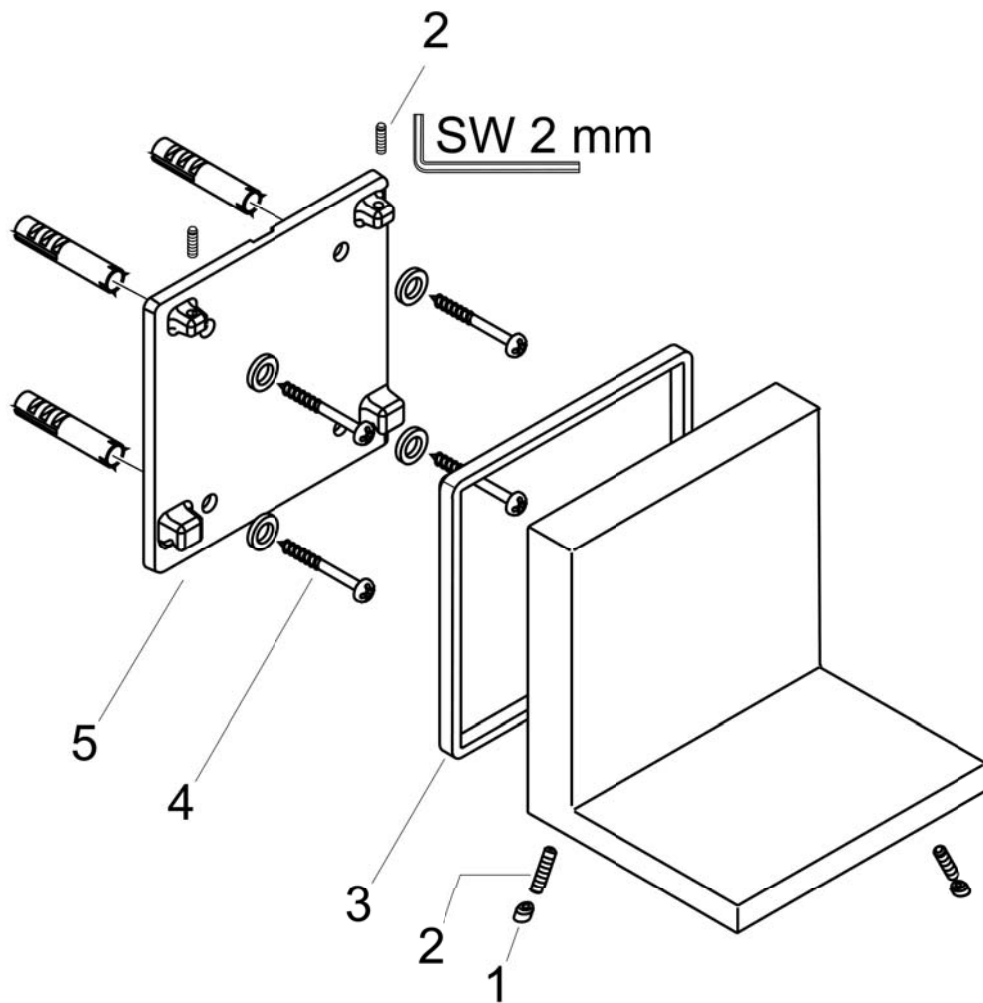


AXOR ShowerSolutions
AXOR ShowerCollection Shower Shelf Trim, 10"x5"
Finishes : chrome Part no. : 40873000



Exploded drawing

Year of production: >01/09



AXOR ShowerSolutions
AXOR ShowerCollection Shower Shelf Trim, 10"x5"
 Finishes : **chrome** Part no. : **40873000**



Spare parts list

Year of production: >01/09

Pos.	Description	Part no.	Price	PU
1	screw cover	96338000	-	1
2	hollow set screw M4x16	97663000	-	1
3	seal	97737000	-	1
4	mounting set	96179000	-	1
5	support element	95312000	-	1