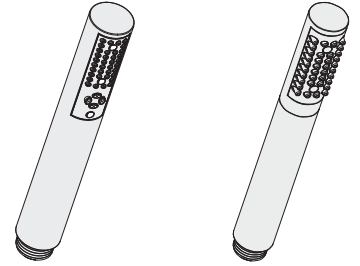


Location:

# SYMMONS® Sereno™

## Hand Shower Wand 402W, 432W

### Specification Submittal



Model 402W

Model 432W

#### Model Numbers

- 402W Two mode hand shower wand
- 432W Single mode hand shower wand

#### Finish Options

Append appropriate -suffix to model number.

- STN Satin nickel finish
- Polished chrome finish (standard finish)

#### Compliance

- ASME A112.18.1/CSA B125.1
- WaterSense (2.0 for 402W only)



#### Feature Highlights

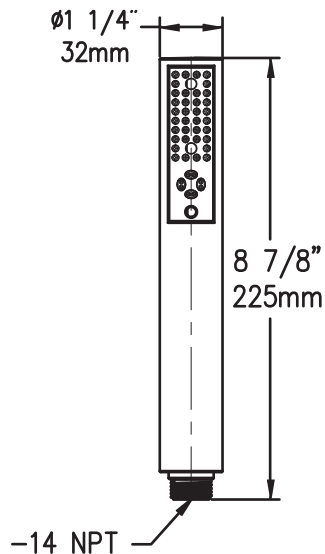
- Metal construction
- Polished chrome finish (standard finish)
- Standard flow rate is 2.5 gpm (9.5 L/min)
- Optional lower flow rate restrictor available

#### Options / Modifications

Append appropriate -suffix to model number.

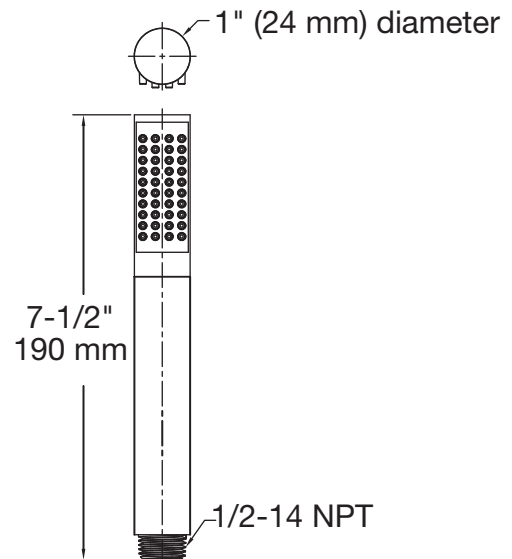
- 2.0 2.0 (7.6 L/min) Flow rate restrictor
- 1.5 1.5 (5.7 L/min) Flow rate restrictor

#### Dimensions Hand Shower Wand, 402W



Note: Dimensions subject to change without notice.

#### Dimensions Hand Shower Wand, 432W



Note: Dimensions subject to change without notice.

Symmons Industries, Inc. ■ 31 Brooks Drive ■ Braintree, MA 02184  
 (800) 796-6667, (781) 848-2250 ■ Fax (800) 961-9621, (781) 664-1300  
 Website: [www.symmons.com](http://www.symmons.com) ■ Email: [customerservice@symmons.com](mailto:customerservice@symmons.com)

©2014 Symmons Industries, Inc. Printed in U.S.A. ■ 012414

