

SLOAN® SHOWER HEADS

Maintenance Guide

• A C T - O - M A T I C



Act-O-Matic Standard Style Shower Heads



AC-11

Self-cleaning chrome plated Shower Head with thumb screw Volume Control and universal Ball Joint. Pressure compensating 2.5 gpm/9.4 Lpm maximum Flow Control. All Brass Construction. 1/2" I.P.S. Inlet.



AC-51

Self-cleaning chrome plated Shower Head without (less) thumb screw Volume Control and universal Ball Joint. Pressure compensating 2.5 gpm/9.4 Lpm maximum Flow Control. All Brass Construction. 1/2" I.P.S. Inlet.

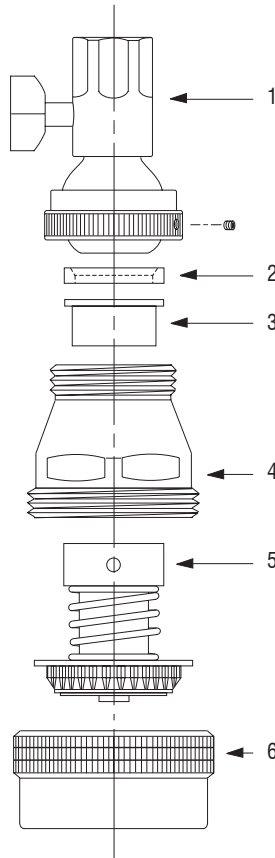
Similar SLOAN Act-O-Matic Models

In accordance with Federal and State water conservation requirements, all Sloan Act-O-Matic Shower Heads manufactured after January 1, 1994 are available only with an integral 2.5 gpm (9.4 Lpm) Flow Control. Replacement components will continue to be available for Non-Flow Control Act-O-Matic Shower Head models. Act-O-Matic Shower Heads rated at 3 gpm (11 Lpm) should be repaired using the components shown for the current 2.5 gpm (9.4 Lpm) models.

Needle Spray

NOTE: To properly repair an Act-O-Matic Shower Head with a Flow Control, it is important to identify Needle Spray part designs.

Shower Heads manufactured by Sloan since 1985 have 3 gpm (11 Lpm) or 2.5 gpm (9.4 Lpm) Flow Controls. Needle Spray Shower Head models use a Needle Spray Piston Assembly and a Needle Spray Coupling Ring.



Model AC-11
with Volume Control Shown

Item	Part No.	Code No.	Description
1	SH-1007-A AC-18-AV	5328026 0328059	Ball Joint Coupling with Volume Control † Ball Joint Coupling less Volume Control
2	SH-1000-A	5328010	SH-3 Gasket (pack of 24 pieces)
3	SH-1004-A	4328287	2.5 gpm (9.4 Lpm) Flow Control
4	SH-1	0328001	Body ‡
5	SH-1003-A SH-1002-A	4328470 4328466	Piston Assembly † Piston Assembly – Needle Spray †
6	SH-2 SH-2-N	0328004 0328005	Coupling Ring ‡ Coupling Ring – Needle Spray ‡


† Includes SH-3 Gasket.

‡ Chrome Plated. Consult Factory for other available finishes.

Flow Control Model Conversion

To Convert an older Act-O-Matic Shower Head to a Flow Control Model, use Repair Kit SH-1008-A (4328469). Repair Kit contains Gasket (Item 2), Flow Control (Item 3), Piston Assembly – Needle Spray (Item 5) and Coupling Ring – Needle Spray (Item 6).

Part	Description	Identification
SH-2-N	Coupling Ring	Groove on its knurled diameter
	Spray Disc	"N" marked on back of black spray disc in the Piston Assembly



For Sloan Act-O-Matic Model 100 Series Shower Heads (discontinued in 1970) use Piston Assembly SH-1003-A (4328470).

SLOAN VALVE COMPANY • 10500 SEYMOUR AVENUE • FRANKLIN PARK, IL 60131

Phone: 1-800-9-VALVE-9 or 1-847-671-4300 • Fax: 1-800-447-8329 or 1-847-671-4380 • <http://www.sloanvalve.com>

SLOAN[®]

SHOWER HEADS



Maintenance Guide • ACT-O-MATIC



Model AC-450

AC-450

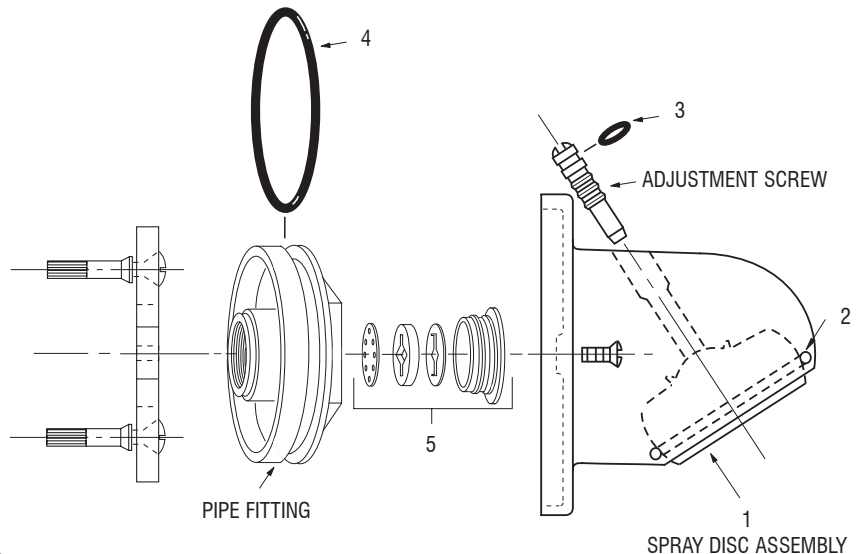
Institutional Style Self-Cleaning Shower Head

Similar SLOAN Act-O-Matic Institutional Style Models

In accordance with Federal and State water conservation requirements, all Sloan Act-O-Matic[®] Shower Heads manufactured after January 1, 1994 are available only with an integral 2.5 gpm (9.4 Lpm) Flow Control. All model variations of AC-450 Act-O-Matic Shower Heads can be repaired using the SH-1009-A Repair Kit (see below). When repairing an older AC-450 without a Flow Control, install the 2.5 gpm (9.4 Lpm) Flow Control supplied with the Repair Kit.

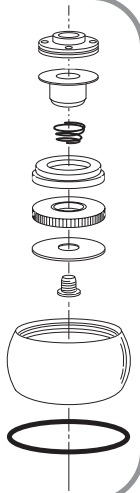
Servicing Instructions

1. Remove Shower Head from wall by unscrewing two (2) cap screws. Use 5/32" Allen Head wrench. (NOTE: Model AC-460 Security Shower Head may be removed from wall by unscrewing Locknut from tie rod behind the wall.) Pull Shower Head body off Pipe Fitting.
2. Remove Adjustment Screw from Shower Head Body.
3. Remove Spray Disc Assembly by pushing through back of Shower Head Body.
4. Clean inside of Shower Head Body of all sediment and replace all O-ring seals.
5. Replace (or add) Flow Control in Pipe Fitting.
6. Replace Spray Disc Assembly and reassemble Shower Head in reverse order.



To Clean Spray Disc Assembly:

1. Disassemble Shower Head according to *Servicing Instructions* shown above.
2. Use spanner wrench or pliers to disassemble Spray Disc Assembly (see Exploded View).
3. Clean sediment and debris from all components.
4. Replace with SH-1009-A Repair Kit if necessary.



SH-1009-A Repair Kit (4328471) for AC-450 Model Shower Head includes:

Item	Description
1	Shower Head Spray Disc Assembly
2	Spray Disc O-ring
3	Adjustment Screw O-ring
4	Pipe Fitting O-ring
5	2.5 gpm (9.4 Lpm) Flow Control Kit (SH-1005-A, code number 5328289)

Note: Items 2, 3 and 4 are also available in O-ring Replacement Kit (SH-1001-A, code number 4328467).

SLOAN VALVE COMPANY • 10500 SEYMOUR AVENUE • FRANKLIN PARK, IL 60131

Phone: 1-800-9-VALVE-9 or 1-847-671-4300 • Fax: 1-800-447-8329 or 1-847-671-4380 • <http://www.sloanvalve.com>