
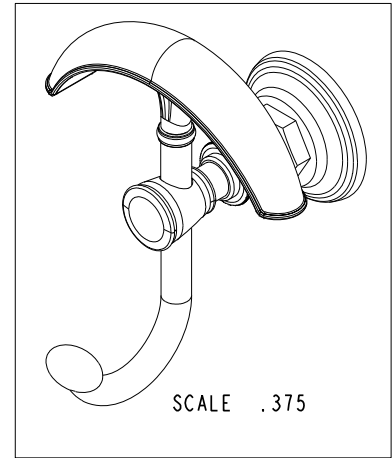
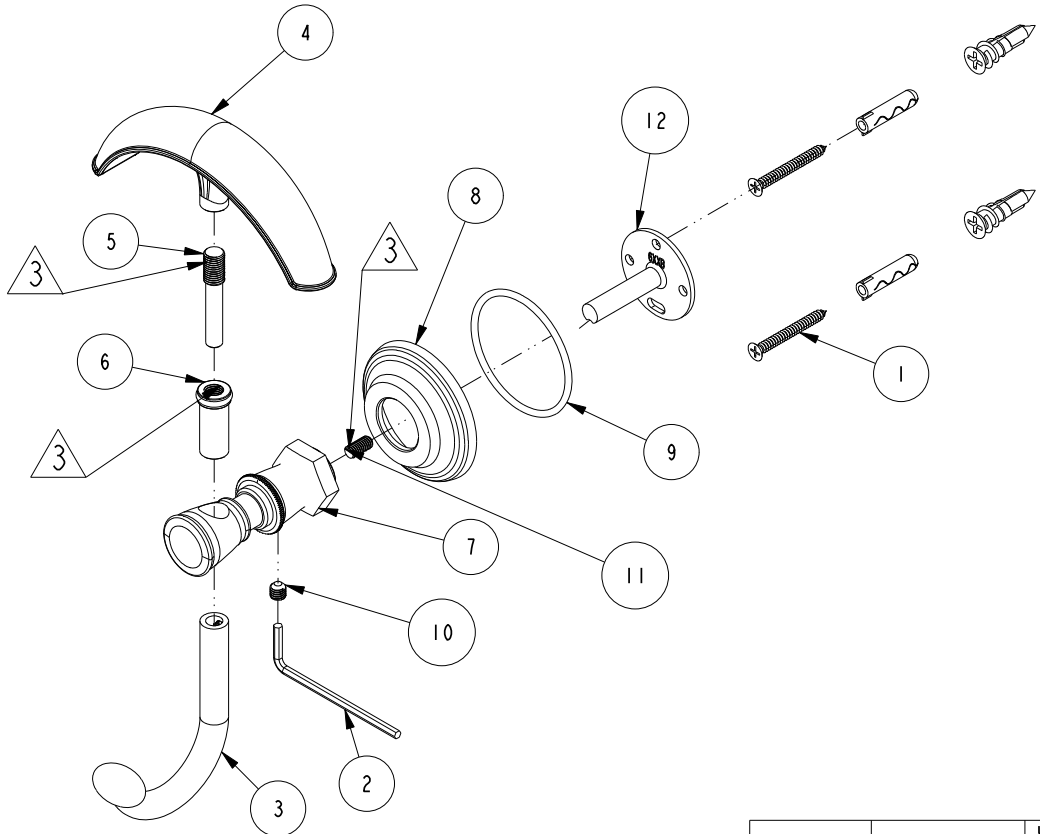


NOTES:

- (N1) 1. FIT / FORM / FUNCTION SHALL FOLLOW PS-E.008.
- (N2) 2. PLACE ITEM# 1 AND 2 IN SEPARATE BAG.
- (N3)  3 APPLY ADHESIVE LOCTITE 680.

BILL OF MATERIAL (CURRENT LEVEL)

ITEM	PT/ASSY	DESCRIPTION	TYPE	QTY.
1	I-206	HARDWARE PACK	ASSEMBLY	1
2	10615	HEX KEY, 3MM ALLOY STEEL	PART	1
3	40480	HOOK ARM	PART	1
4	40481	HOOK TOP FLANGE	PART	1
5	40501	ROBE HOOK STEM	PART	1
6	40502	ROBE HOOK STEM COVER	PART	1
7	40540	POST	PART	1
8	40553	ESCUTCHEON	PART	1
9	91298	O-RING, #2-134	PART	1
10	92031	SCRW, M6 X 1 X 6 SKT HD CUP PT SS	PART	1
11	92098	SCRW, M5 X .8 X 12M SKT HD CONE POINT SS	PART	1
12	6XXB	MOUNTING BRACKET	PART	1



TESTING	-	-	-	UNITS ARE: INCHES [MM]
ASSEMBLY	-	-	-	TOLERANCES ARE:
PLATING	-	-	-	FRACTIONS DECIMALS ANGLES
POLISHING	-	NEXT ASSY	USED ON	±1/16" .X ±.1 [2,5] ±1°
MACHINING	-	APPLICATION		(X.XXX) DENOTES CRITICAL DIMS.
TOOLING FIXTURE #	REMOVE ALL BURRS AND SHARP EDGES			ALL THREADS ARE CRITICAL
				DRAWN
				CHECKED
				APPROVED

BRASSTECH 2001 CARNEGIE AVE.
INCORPORATED SANTA ANA, CA 92705
(949) 417-5207

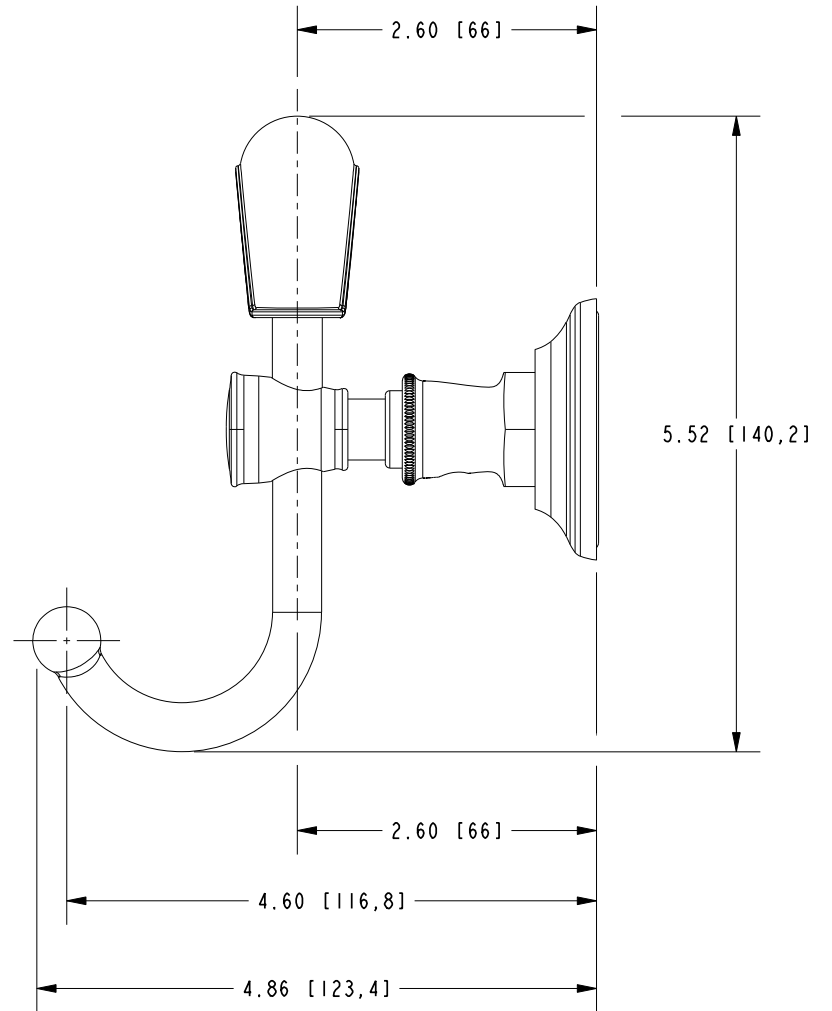
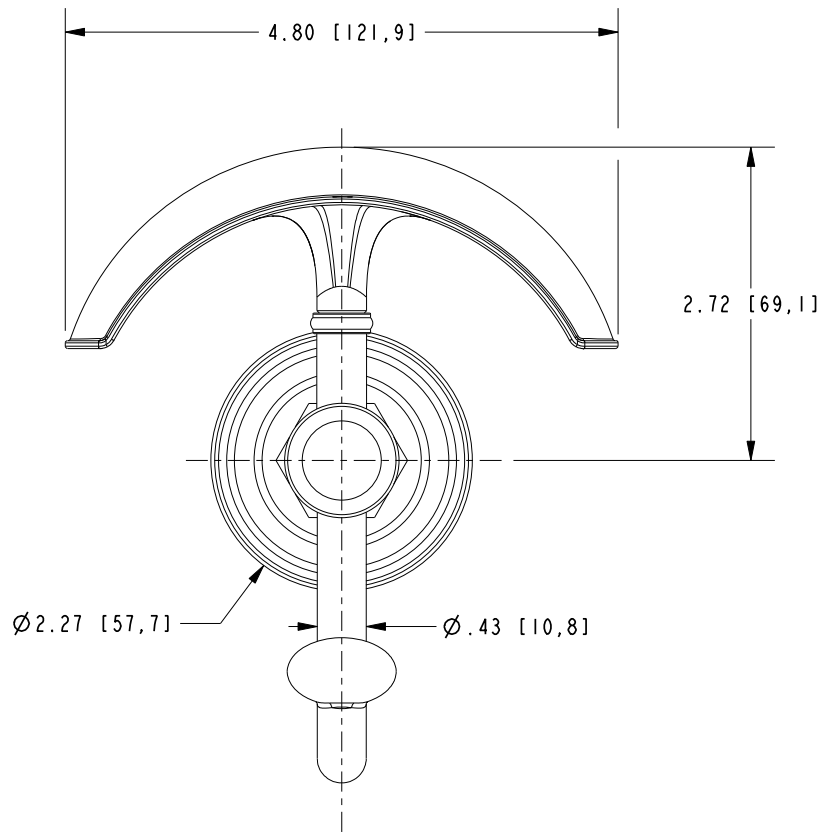
DOUBLE ROBE HOOK

DWG NO. **40-13** REV **B**

SCALE .350 REF. - SHEET 1 OF 2

-	B	EN-2881	05/05/15	J.M.	COPYRIGHT 2005 BRASSTECH, INC. THESE DRAWINGS AND THE DESIGNS DEPICTED HEREIN ARE THE PROPRIETARY PROPERTY OF BRASSTECH. ANY USE OR REPRODUCTION IS SUBJECT TO THE EXPRESS APPROVAL OF BRASSTECH. UNAUTHORIZED USE IS STRICTLY PROHIBITED. ALL RIGHTS RESERVED.
-	A	EN-2717	04/16/14	-	
-	-	EN-2086	09/01/13	-	
ZONE	REV	DESCRIPTION	DATE	APPROVED	

SPECIFICATION DWG



DIMENSIONS ARE IN INCHES AND AN APPROXIMATION OF A TYPICAL INSTALLATION

COPYRIGHT 2005 BRASSTECH, INC. THESE DRAWINGS AND THE DESIGNS DEPICTED HEREIN ARE THE PROPRIETARY PROPERTY OF BRASSTECH. ANY USE OR REPRODUCTION IS SUBJECT TO THE EXPRESS APPROVAL OF BRASSTECH. UNAUTHORIZED USE IS STRICTLY PROHIBITED. ALL RIGHTS RESERVED.

BRASSTECH		2001 CARNEGIE AVE.
INCORPORATED		SANTA ANA, CA 92705
		(949) 417-5207
DWG NO.	40-13	REV B
SCALE .600	REF. -	SHEET 2 OF 2