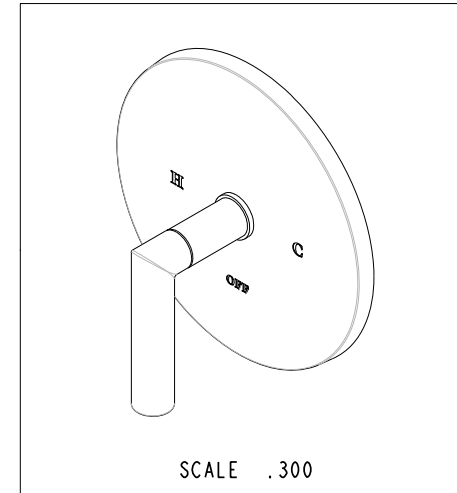
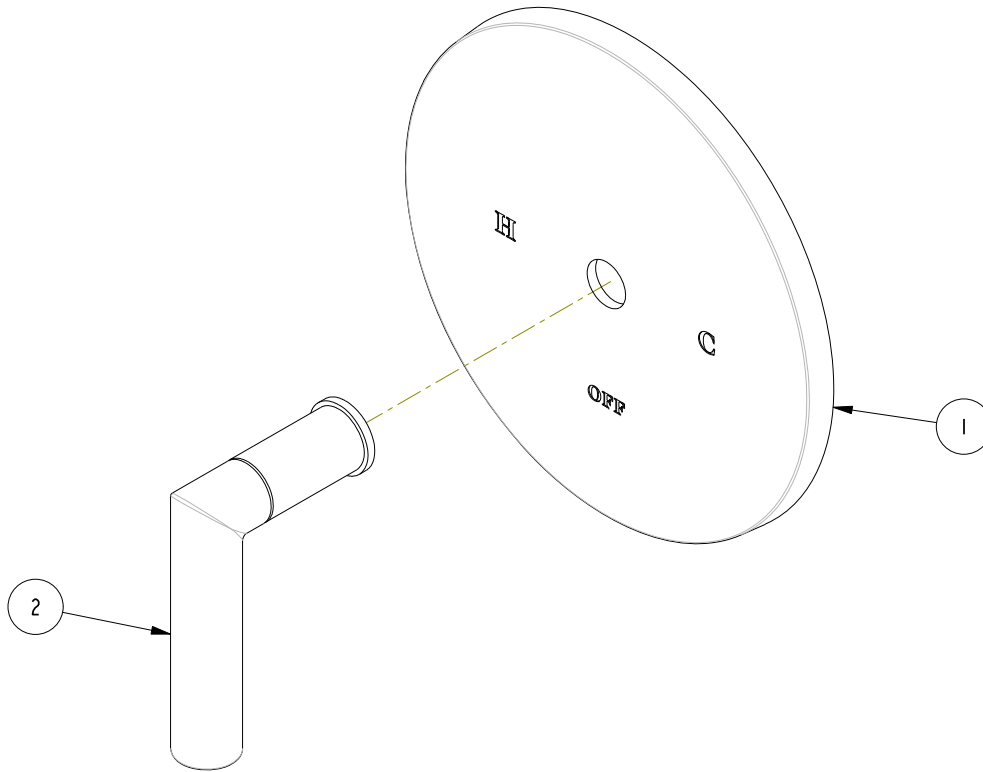


NOTES:

(NI) 1. FIT / FORM / FUNCTION SHALL FOLLOW PS-E.008.

**BILL OF MATERIAL (CURRENT LEVEL)**

ITEM	PT/ASSY	DESCRIPTION	TYPE	QTY.
1	2-771	TUB AND SHOWER PLATE ASM	ASSEMBLY	1
2	20-107	HANDLE ASM	ASSEMBLY	1



ZONE	REV	DESCRIPTION	DATE	APPROVED
-	-	EN-3032d	07/13/16	AN

COPYRIGHT 2005 BRASSTECH, INC. THESE DRAWINGS AND THE DESIGNS DEPICTED HEREIN ARE THE PROPRIETARY PROPERTY OF BRASSTECH. ANY USE OR REPRODUCTION IS SUBJECT TO THE EXPRESS APPROVAL OF BRASSTECH. UNAUTHORIZED USE IS STRICTLY PROHIBITED. ALL RIGHTS RESERVED.

TESTING	-	-	-
ASSEMBLY	-	-	-
PLATING	-	-	-
POLISHING	-	NEXT ASSY	USED ON
MACHINING	-	APPLICATION	
TOOLING FIXTURE #	REMOVE ALL BURRS AND SHARP EDGES		

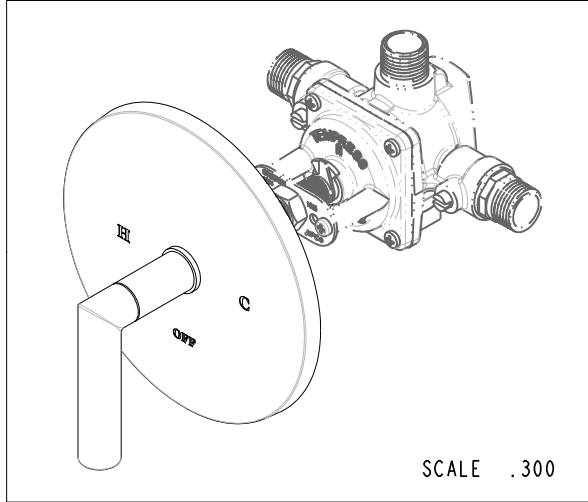
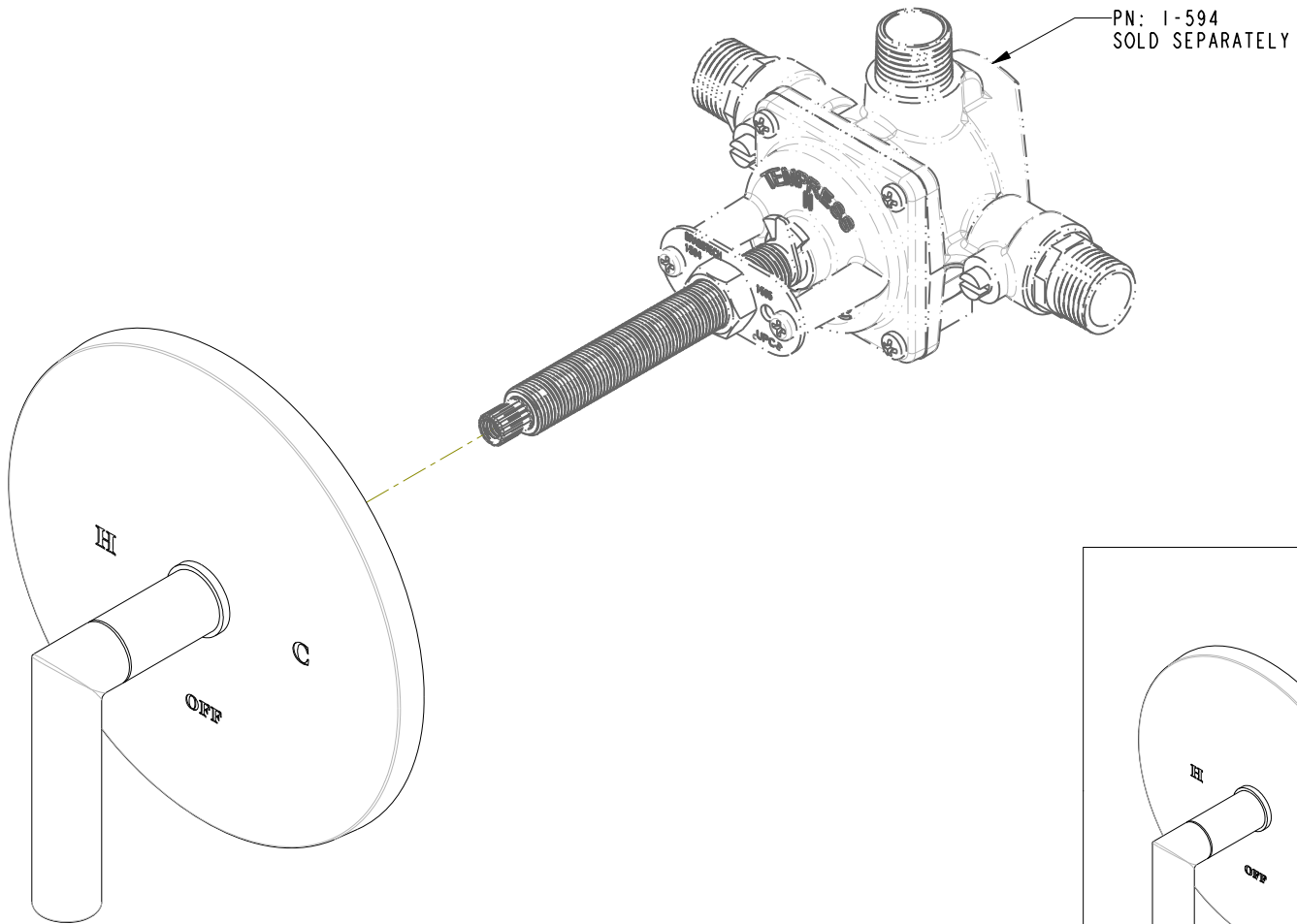
UNITS ARE: INCHES [MM]  
 TOLERANCES ARE:  
 FRACTIONS DECIMALS ANGLES  
 $\pm 1/16^{\circ}$  .X  $\pm .1$  (2.5)  $\pm 1^{\circ}$   
 .XX  $\pm .06$  (1.5)  
 (X.XXX) DENOTES CRITICAL DIMS.  
 ALL THREADS ARE CRITICAL  
 DRAWN AN 07/13/16  
 CHECKED AN 07/13/16  
 APPROVED AN 07/13/16

**BRASSTECH** 2001 CARNEGIE AVE.  
 INCORPORATED SANTA ANA, CA 92705  
 (949) 417-5207

**BP SHOWER TRIM**

DWG NO. **4-3104BP** REV -

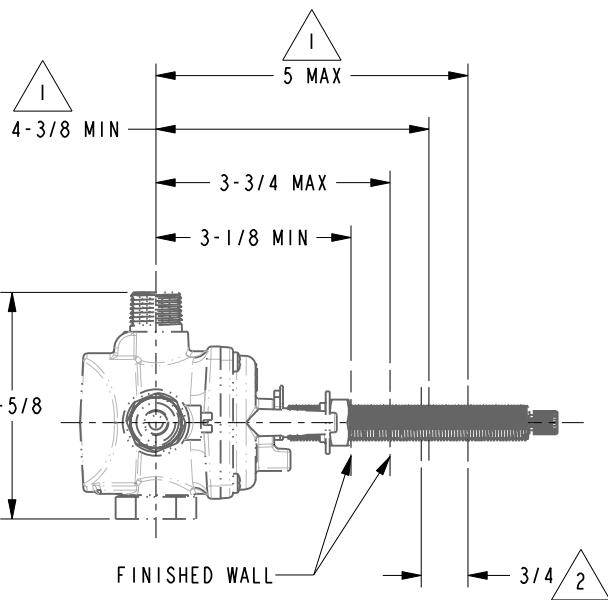
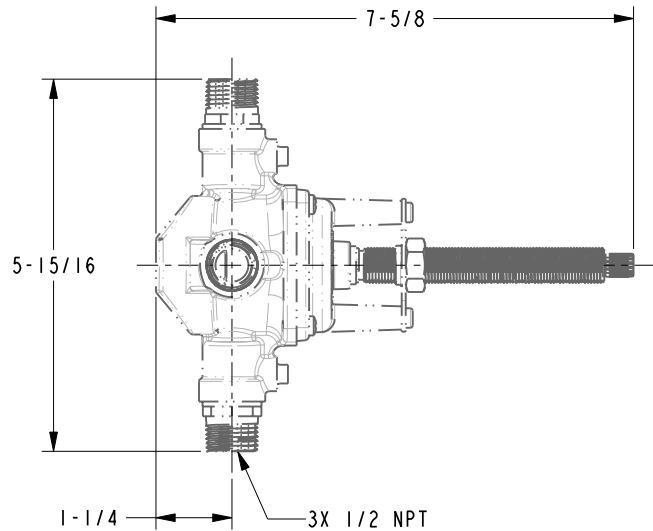
SCALE .500 REF. - SHEET 1 OF 3



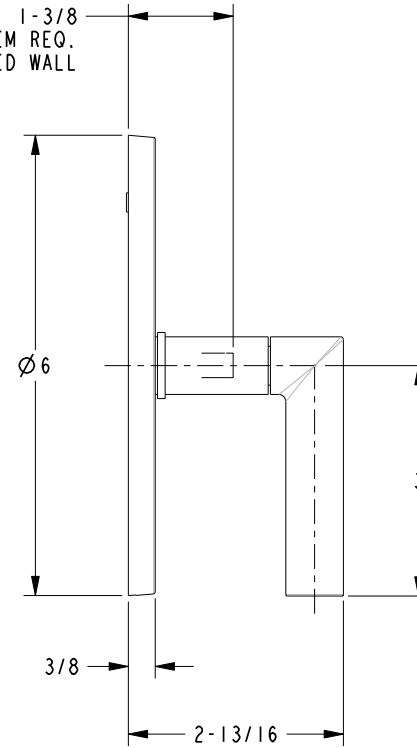
<b>BRASSTECH</b>		2001 E. CARNEGIE AVE.	
INCORPORATED		SANTA ANA, CA 92705	
		(949) 417-5207	
DWG NO.	4-3104BP		REV
			-
SCALE .500	REF. -	SHEET 2 OF	3

NOTES:

- 1. CUT STEM TO DIMENSION SHOWN.
- 2. CUT ALL-THREAD 3/4" SHORTER THAN STEM.



1-3/8  
AMOUNT OF STEM REQ.  
FROM FINISHED WALL



<b>BRASSTECH</b>		2001 E. CARNEGIE AVE. SANTA ANA, CA 92705 (949) 417-5207	
DWG NO.	4-3104BP		REV -
SCALE .250	REF. -	SHEET 3 OF 3	