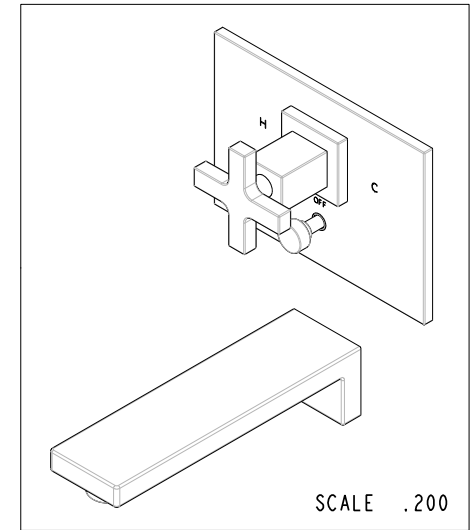
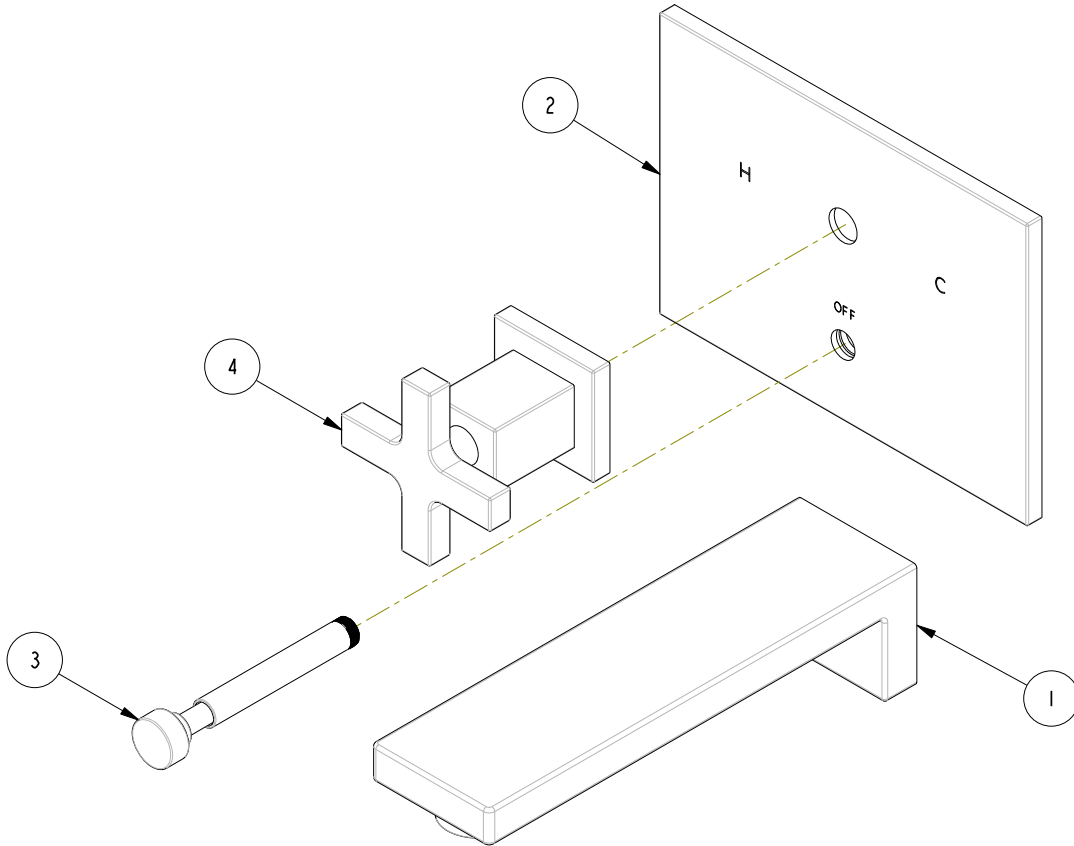


NOTES:

(N1) 1. FIT / FORM / FUNCTION SHALL FOLLOW PS-E.008.

**BILL OF MATERIAL (CURRENT LEVEL)**

ITEM	PT/ASSY	DESCRIPTION	TYPE	QTY.
1	8-030	WALL TUB SPOUT ASM	ASSEMBLY	1
2	2-641	BP TUB SHOWER PLATE ASSEMBLY	ASSEMBLY	1
3	2-618	DIVERTER TRIM KIT	ASSEMBLY	1
4	3-577	HANDLE CROSS/ ESC ASM	ASSEMBLY	1



COPYRIGHT 2005 BRASSTECH, INC. THESE DRAWINGS AND THE DESIGNS DEPICTED HEREIN ARE THE PROPRIETARY PROPERTY OF BRASSTECH. ANY USE OR REPRODUCTION IS SUBJECT TO THE EXPRESS APPROVAL OF BRASSTECH. UNAUTHORIZED USE IS STRICTLY PROHIBITED. ALL RIGHTS RESERVED.

TESTING	-	-	-
ASSEMBLY	-	-	-
PLATING	-	-	-
POLISHING	-	NEXT ASSY	USED ON
MACHINING	-	APPLICATION	
TOOLING FIXTURE #	REMOVE ALL BURRS AND SHARP EDGES		

UNITS ARE: INCHES [MM]  
 TOLERANCES ARE:  
 FRACTIONS DECIMALS ANGLES  
 $\pm 1/16"$  .X  $\pm .1$  (2.5)  $\pm 1^\circ$   
 .XX  $\pm .06$  (1.5)  
 (X.XXX) DENOTES CRITICAL DIMS.  
 ALL THREADS ARE CRITICAL  
 DRAWN AN 10/05/16  
 CHECKED AN 10/05/16  
 APPROVED AN 10/05/16

**BRASSTECH** 2001 CARNEGIE AVE.  
 INCORPORATED SANTA ANA, CA 92705  
 (949) 417-5207

**BP TUB & SHOWER TRIM  
 (LESS HAF)**

DWG NO. **4-2992BP** REV -

SCALE .350 REF. - SHEET 1 OF 3

-	-	EN-3084c	10/05/16	AN
ZONE	REV	DESCRIPTION	DATE	APPROVED

4

3

2

D

D

C

C

B

B

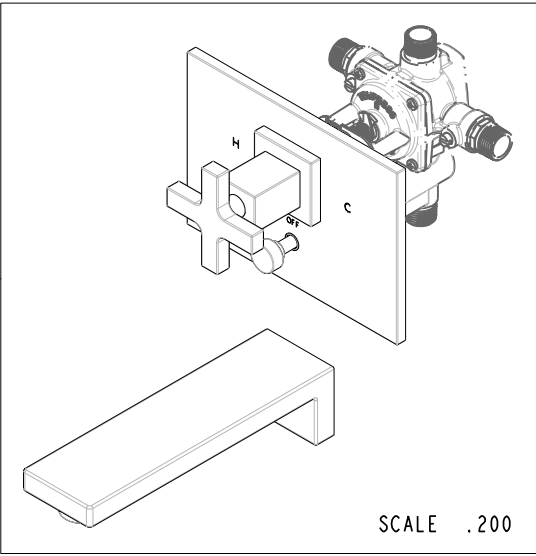
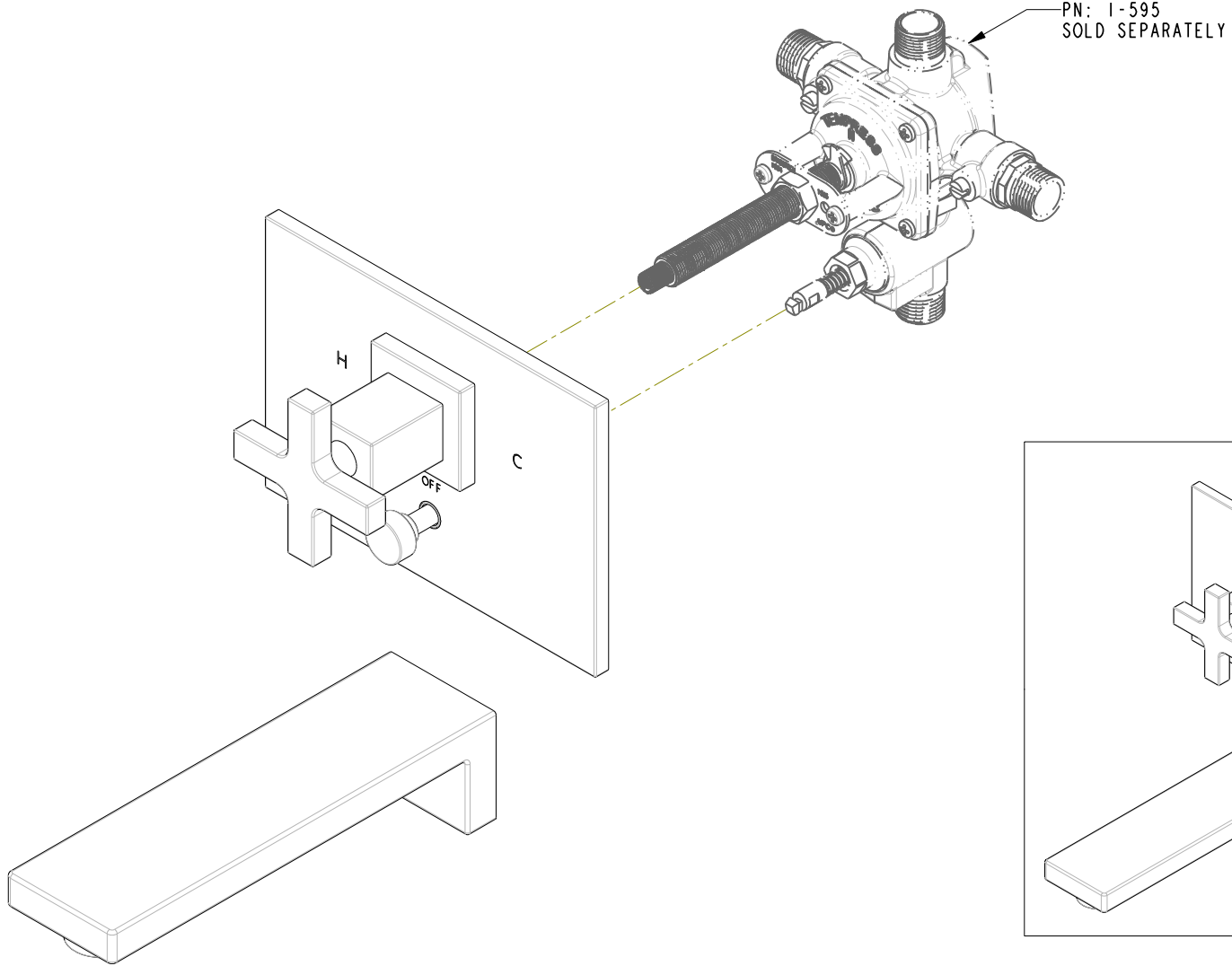
A

A

4

3

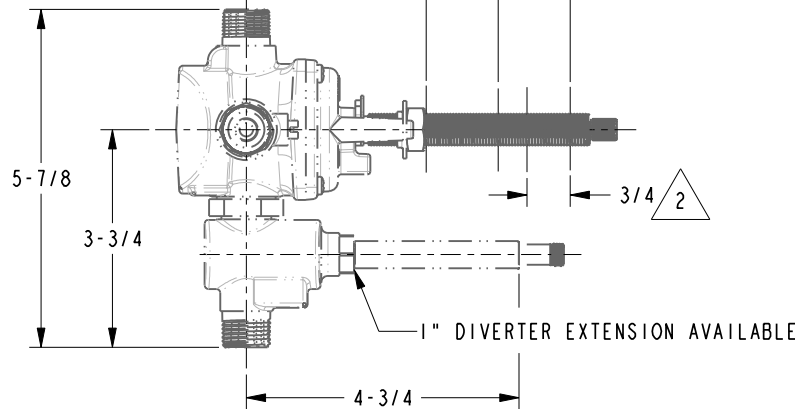
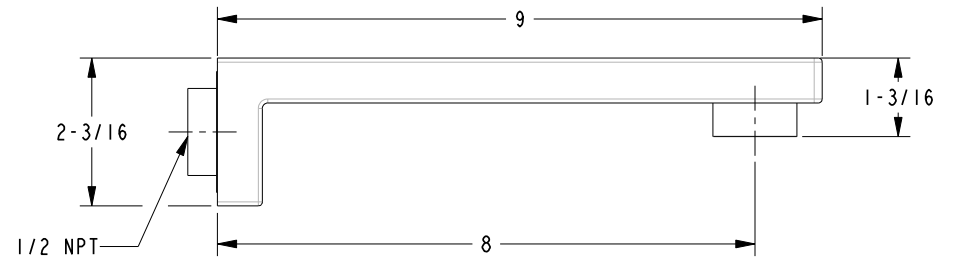
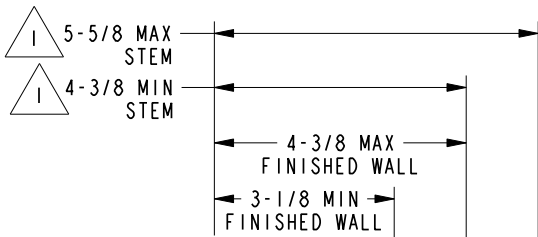
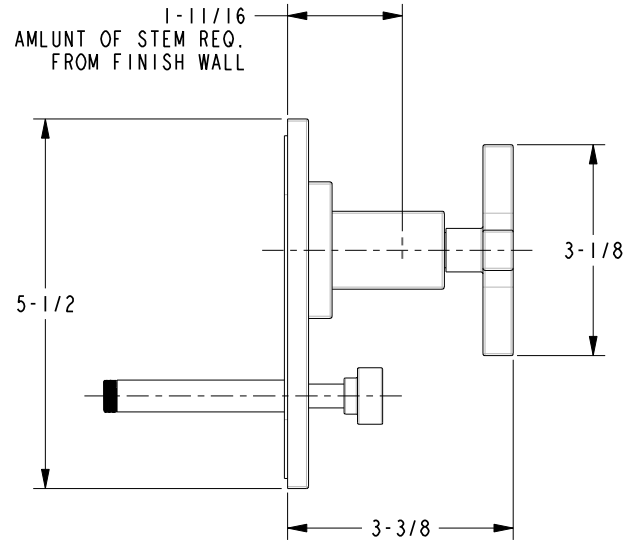
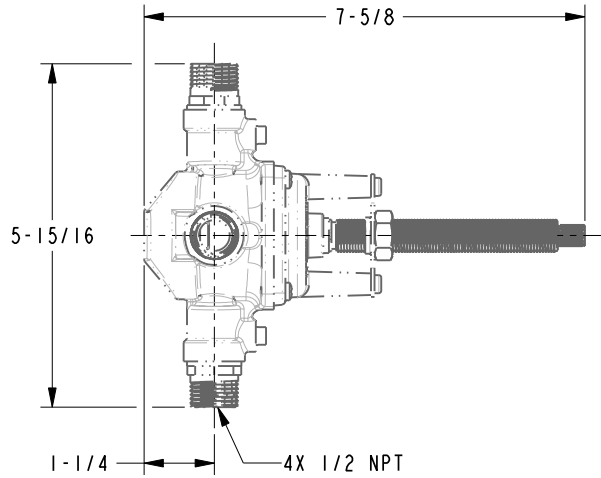
2



<b>BRASSTECH</b>		2001 E. CARNEGIE AVE.	
INCORPORATED		SANTA ANA, CA 92705	
		(949) 417-5207	
DWG NO.	4-2992BP		REV -
SCALE .350	REF. -	SHEET 2 OF	3

NOTES:

- 1 CUT STEM TO DIMENSION SHOWN.
- 2 CUT ALL-THREAD 3/4" SHORTER THAN STEM.



<b>BRASSTECH</b>		2001 E. CARNEGIE AVE. SANTA ANA, CA 92705 (949) 417-5207	
DWG NO.	4-2992BP	REV	-
SCALE	.300	REF.	-
		SHEET	3 OF 3