

4

3

2

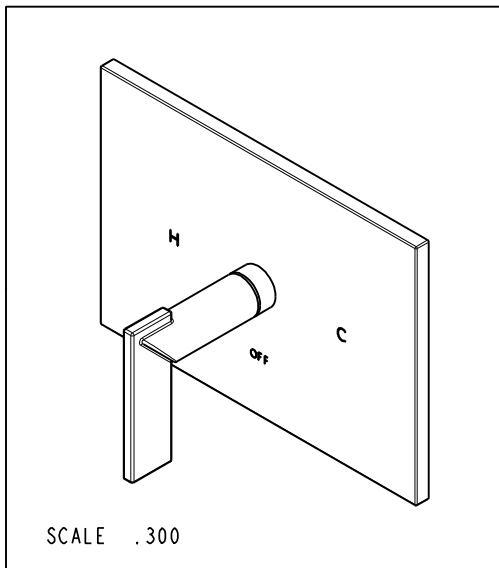
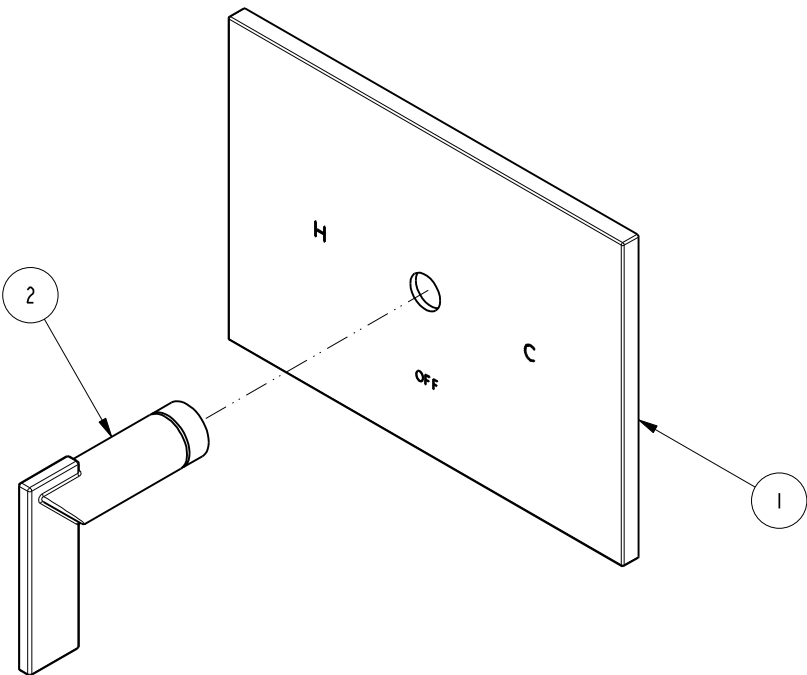
1

## NOTES:

(NI) 1. FIT / FORM / FUNCTION SHALL FOLLOW PS-E.008.

## BILL OF MATERIAL (CURRENT LEVEL)

ITEM	PT/ASSY	DESCRIPTION	TYPE	QTY.
1	8-033	SHOWER PLATE ASM	ASSEMBLY	1
2	20-300	LEVER ASM	ASSEMBLY	1



A

A

-	D	EN-3334	01/09/18	J.A.
-	C	EN-3178	11/01/16	J.M.
-	B	EN-1512	11/09/11	A.N.
-	A	EN-1814	07/01/11	-
-	-	EN-1735	06/10/11	-
ZONE	REV	DESCRIPTION	DATE	APPROVED

COPYRIGHT 2005 BRASSTECH, INC.  
THESE DRAWINGS AND THE DESIGNS  
DEPICTED HEREIN ARE THE PROPRIETARY  
PROPERTY OF BRASSTECH. ANY USE  
OR REPRODUCTION IS SUBJECT TO  
THE EXPRESS APPROVAL OF BRASSTECH.  
UNAUTHORIZED USE IS STRICTLY  
PROHIBITED. ALL RIGHTS RESERVED.

TESTING	-	-	-	-
ASSEMBLY	-	-	-	-
PLATING	-	-	-	-
POLISHING	-	NEXT ASSY	USED ON	-
MACHINING	-	APPLICATION		-
TOOLING FIXTURE #	REMOVE ALL BURRS AND SHARP EDGES			-

UNITS ARE: INCHES (MM)

TOLERANCES ARE:

FRACTIONS DECIMALS ANGLES  
 $\pm 1/16"$   $.X \pm .1 [2,5]$   $\pm 1"$   
 $.XX \pm .06 [1,5]$

(X.XXX) DENOTES CRITICAL DIMS.  
ALL THREADS ARE CRITICAL

DRAWN JINSON 01/09/18

CHECKED J.A. 01/09/18

APPROVED J.A. 01/09/18

**BRASSTECH**  
INCORPORATED

2001 CARNEGIE AVE.  
SANTA ANA, CA 92705  
(949) 417-5207

BP SHOWER TRIM PLATE WITH  
HANDLE

DWG NO. 4-2544BP

REV  
D

SCALE .375

REF. -

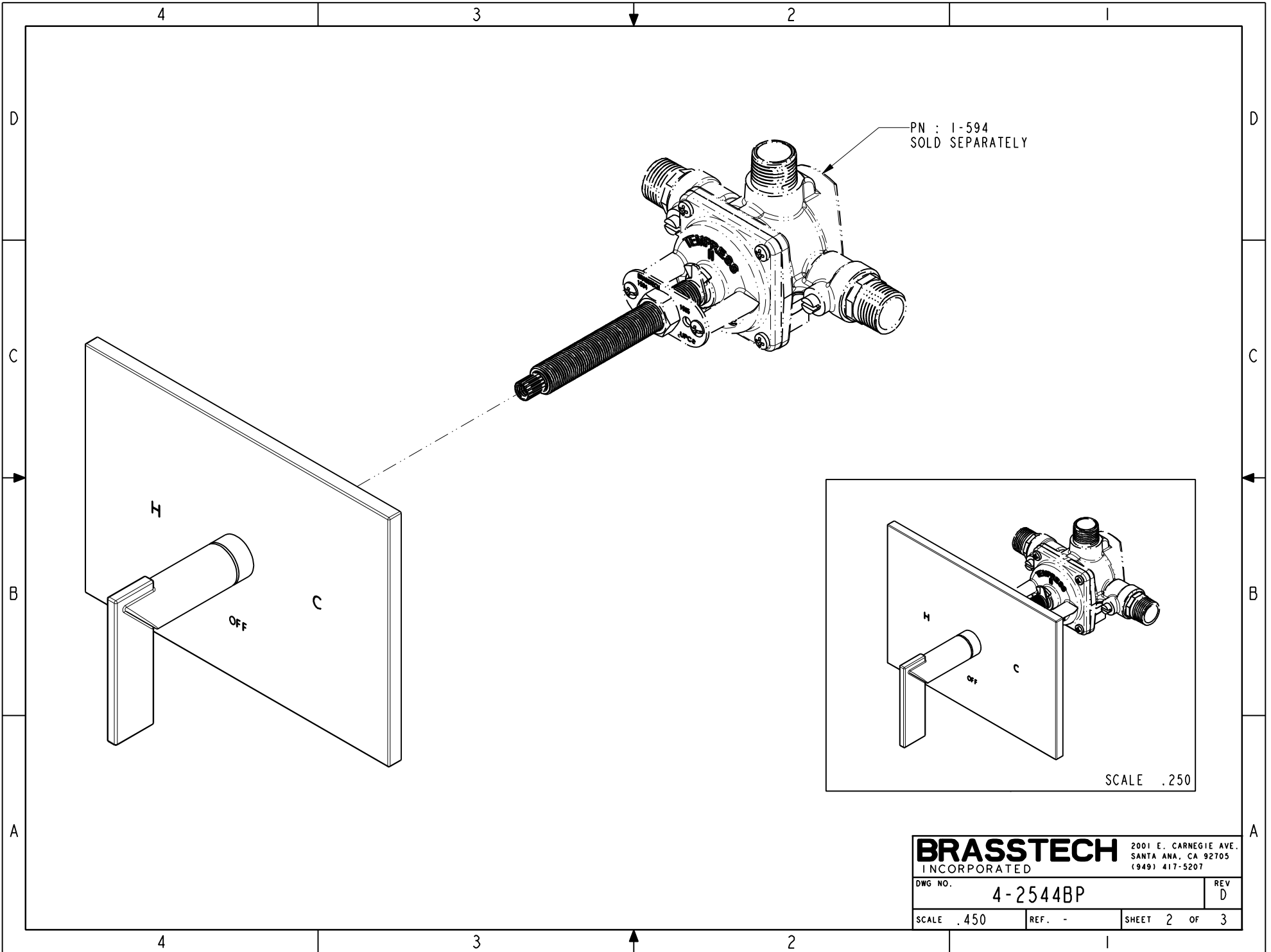
SHEET 1 OF 3

4

3

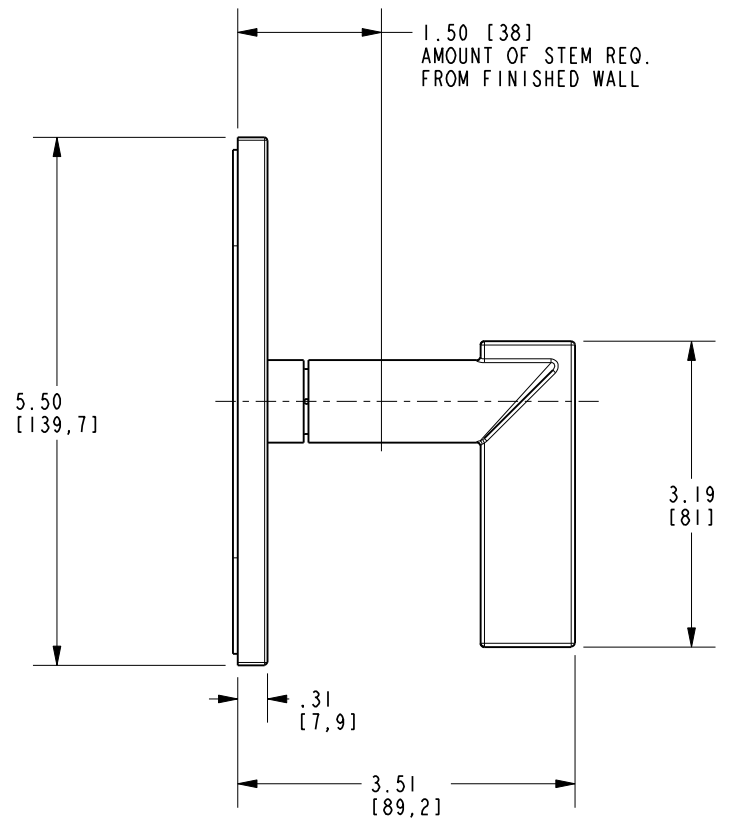
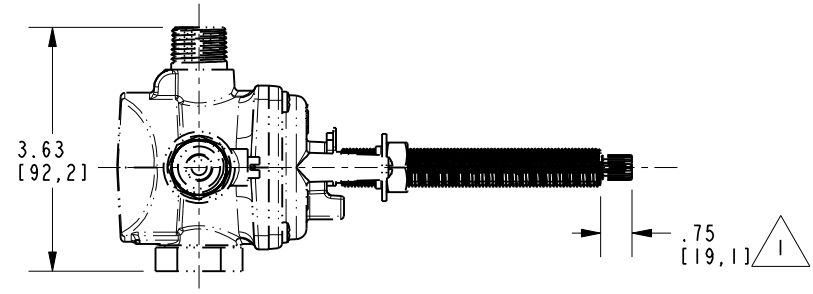
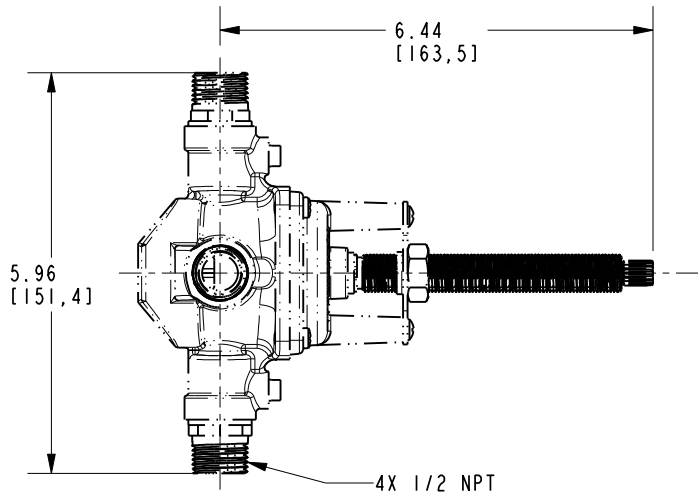
2

1



NOTES:

1. CUT ALL THREADS 0.75" SHORTER THAN STEM.



<b>BRASSTECH</b> INCORPORATED		2001 E. CARNEGIE AVE. SANTA ANA, CA 92705 (949) 417-5207	
DWG NO.	4-2544BP	REV	D
SCALE	.350	REF.	-
SHEET 3		OF 3	