

AXOR Citterio

AXOR Citterio Thermostatic Trim with Lever Handle, Highflow

Finishes : **brushed nickel** Part no. : **39711821**



Description

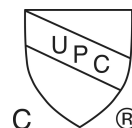
Features

- Flow: 13.0 GPM (49.2 L/Min)
- Thermostatic cartridge
- Anti-scald 100° safety stop

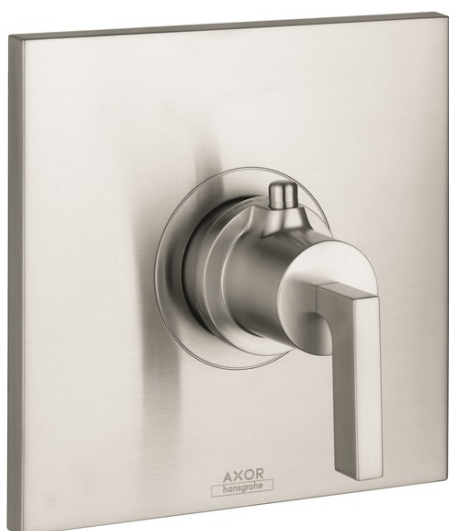
Item details

List Price

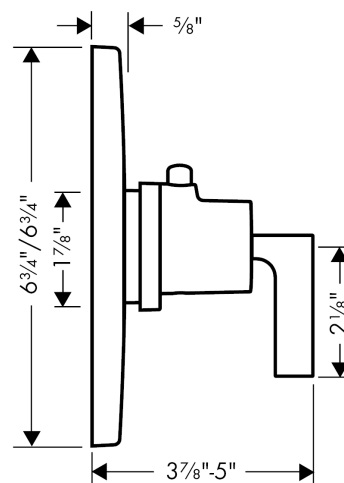
Compliance



Product image



Scale drawing

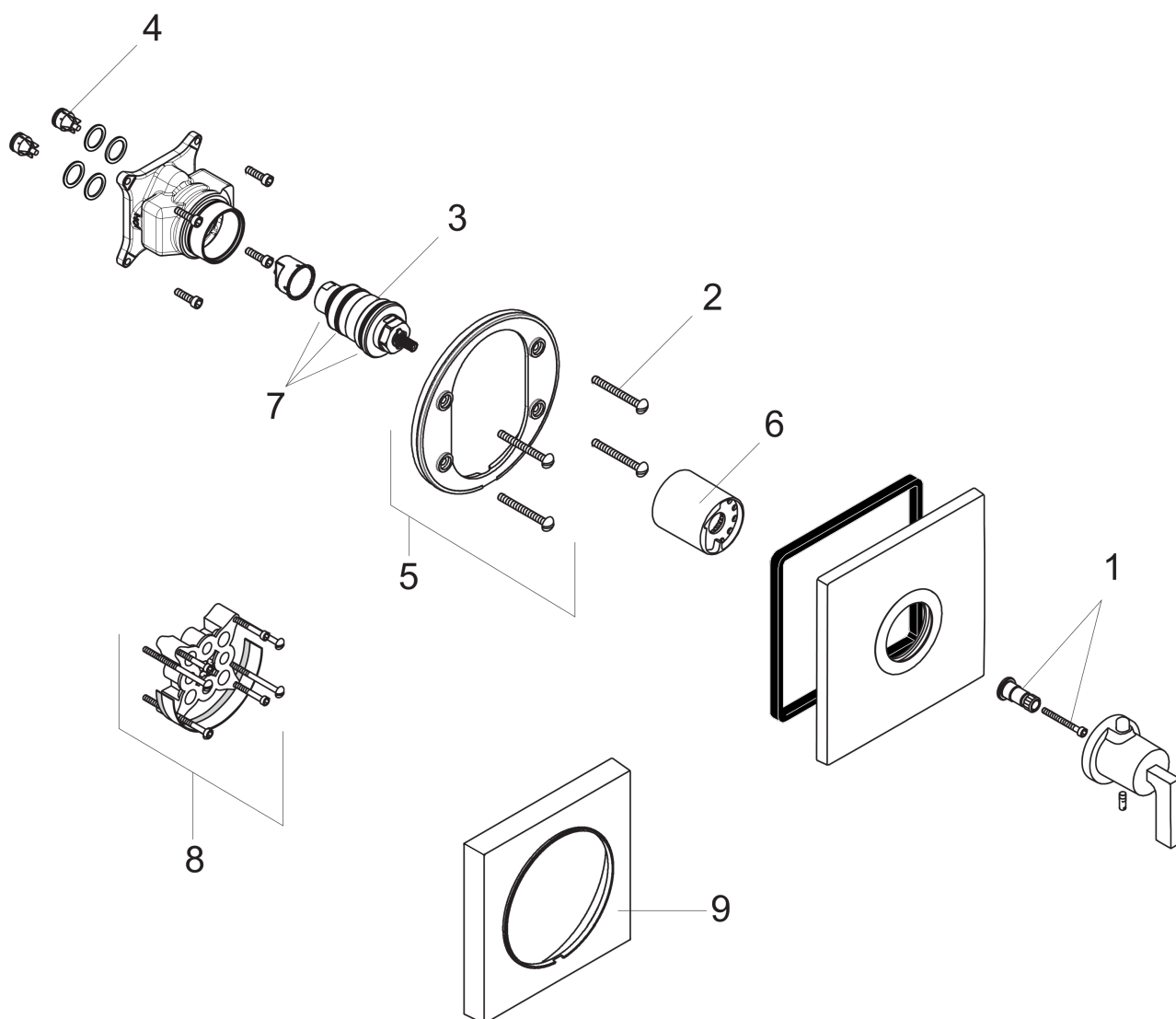


AXOR Citterio
AXOR Citterio Thermostatic Trim with Lever Handle, Highflow
Finishes : **brushed nickel** Part no. : **39711821**



Exploded drawing

Year of production: >06/11



AXOR Citterio
AXOR Citterio Thermostatic Trim with Lever Handle, Highflow
 Finishes : **brushed nickel** Part no. : **39711821**



Spare parts list

Year of production: >06/11

Pos.	Description	Part no.	Price	PU
1	adapter for handle	96435000	-	1
2	set of fixing screws	96454000	-	1
3	thermostat cartridge	96633000	-	1
4	set of non return valves DW 15	97350000	-	1
5	holder for escutcheon	98793000	-	1
6	sleeve	97439820	-	1
7	sealing set	96636000	-	1
8	extension 25 mm	13595000	-	1
9	extension 22 mm	97407820	-	1