

**AXOR Citterio**  
**Wall-Mounted Single-Handle Faucet Trim, 1.2 GPM**  
Finishes : **brushed nickel** Part no. : **39116821**



## Description

### Features

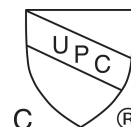
- Aerated spray
- Flow: 1.2 GPM (4.5 L/Min)
- Joystick ceramic cartridge

## Item details

### Technology



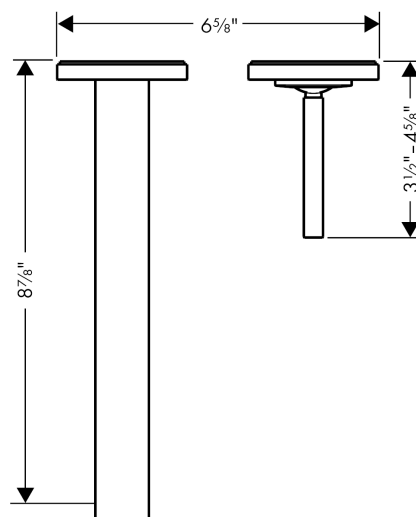
### Compliance



## Product image



## Scale drawing

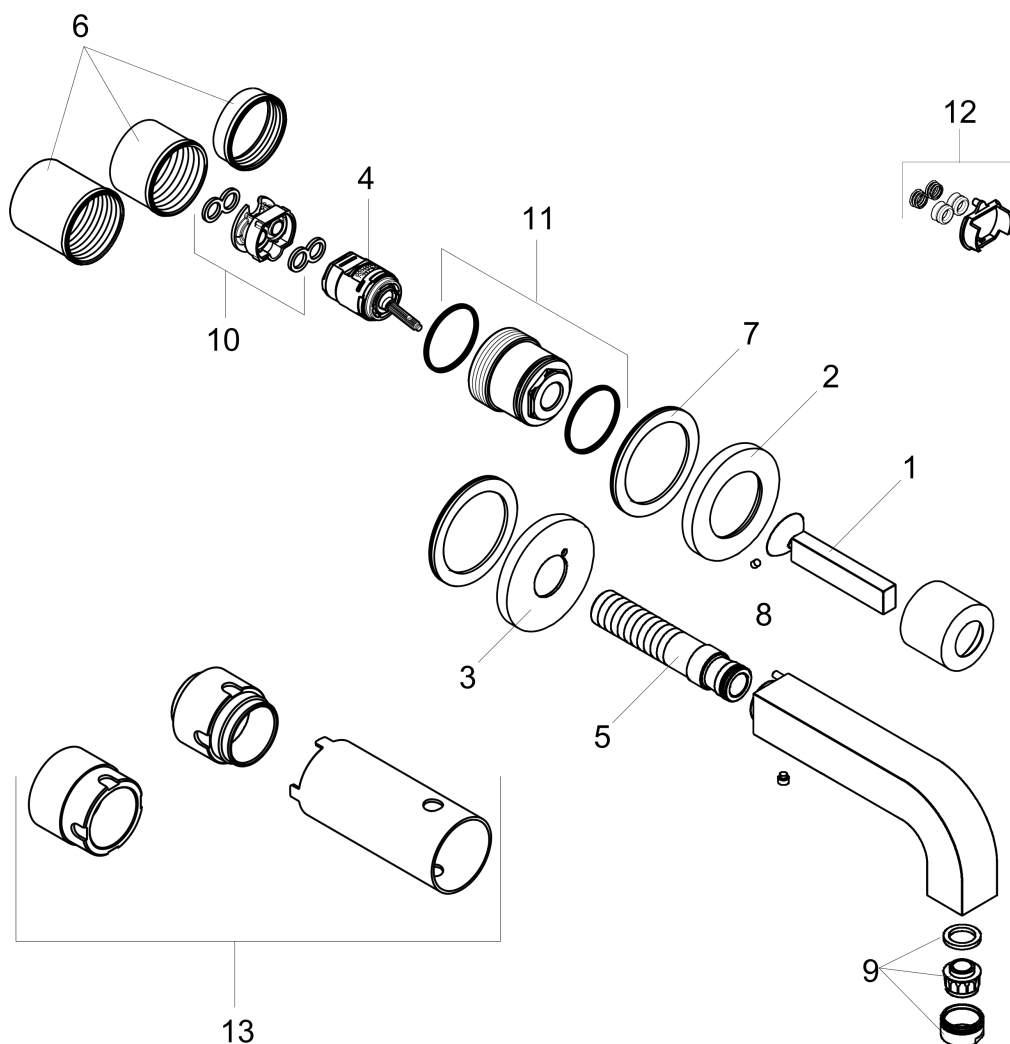


**AXOR Citterio**  
**Wall-Mounted Single-Handle Faucet Trim, 1.2 GPM**  
Finishes : **brushed nickel**    Part no. : **39116821**



## Exploded drawing

Year of production: >07/16



**AXOR Citterio**  
**Wall-Mounted Single-Handle Faucet Trim, 1.2 GPM**  
 Finishes : **brushed nickel**    Part no. : **39116821**



## Spare parts list

Year of production: >07/16

| Pos. | Description                      | Part no. | Price | PU |
|------|----------------------------------|----------|-------|----|
| 1    | handle                           | 39092820 | -     | 1  |
| 2    | escutcheon for handle            | 96909820 | -     | 1  |
| 3    | escutcheon                       | 98720820 | -     | 1  |
| 4    | cartridge, assy                  | 96339000 | -     | 1  |
| 5    | connecting thread G½             | 97228000 | -     | 1  |
| 6    | fixing set                       | 97971000 | -     | 1  |
| 7    | washer                           | 97600000 | -     | 1  |
| 8    | hollow set screw M4x6            | 97767000 | -     | 1  |
| 9    | aerator M24x1 (4,5 l/min)        | 92877820 | -     | 1  |
| 10   | adapter for cartridge            | 95644000 | -     | 1  |
| 11   | nut                              | 95645000 | -     | 1  |
| 12   | conversion kit                   | 95643000 | -     | 1  |
| 13   | extension set 25 mm for 13622180 | 31971000 | -     | 1  |
| a    | spout 220 mm                     | 97239820 | -     | 1  |
| b    | base body                        | 13622181 | -     | 1  |
| c    | Grease                           | 90920000 | -     | 1  |
| d    | extension set for 38111180       | 38982000 | -     | 1  |