

AXOR Uno
Axor Uno Trio/Quattro Diverter Trim
Surfaces: **Brushed Nickel** Article Number: **38934821**

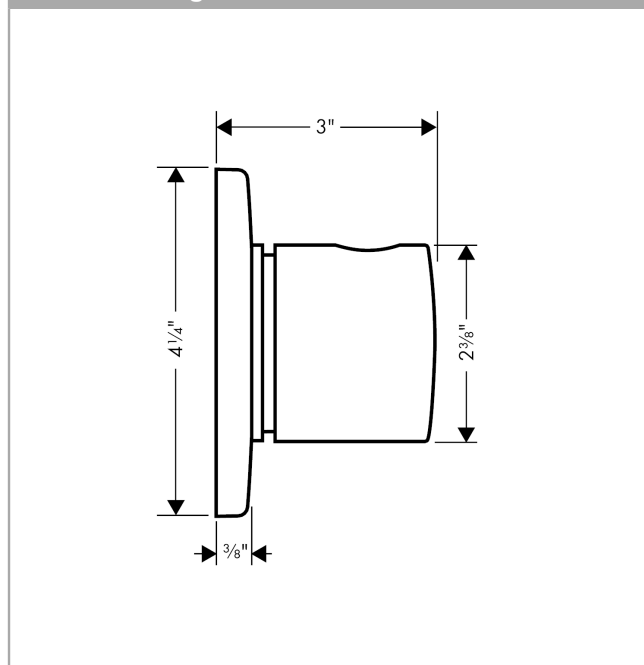


Description

Product image



Scale drawing

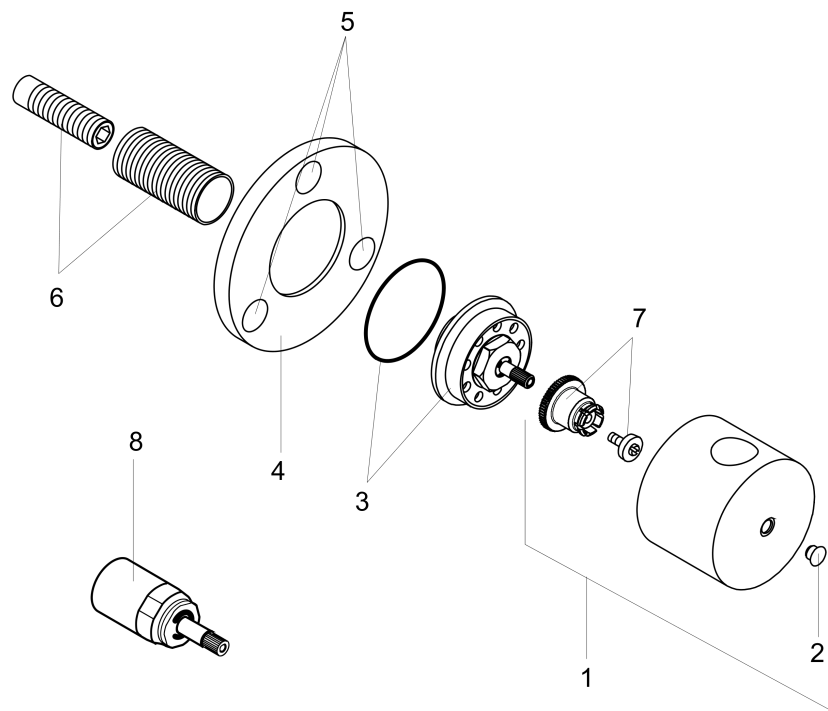


AXOR Uno
Axor Uno Trio/Quattro Diverter Trim
Surfaces: **Brushed Nickel** Article Number: **38934821**



Exploded Drawing

Year of production: >06/09



AXOR Uno
Axor Uno Trio/Quattro Diverter Trim
 Surfaces: **Brushed Nickel** Article Number: **38934821**



Spare part list

Year of production: >06/09

Pos.	Description	Article Number	PC	PU
1	handle	38993821	0	1
2	cover cap	96541001	0	1
3	nut	96489820	0	1
4	escutcheon Ø 154 mm	94356820	0	1
5	stickers for symbols	97218610	0	1
6	fixing set	96392000	0	1
7	handle fixing set	94184001	0	1
8	extension 25 mm	96370000	0	1
a	base body	15930181	0	1
b	base body	15936181	0	1
c	base body	15984181	0	1
d	base body	15981181	0	1