

## AXOR Uno

### AXOR Uno Thermostatic Trim, Highflow

Finishes : **brushed nickel** Part no. : **38715821**



#### Description

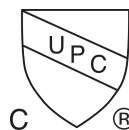
##### Features

- Flow: 13.0 GPM (49.2 L/Min)
- Thermostatic cartridge
- Anti-scald 100° safety stop

#### Item details

List Price

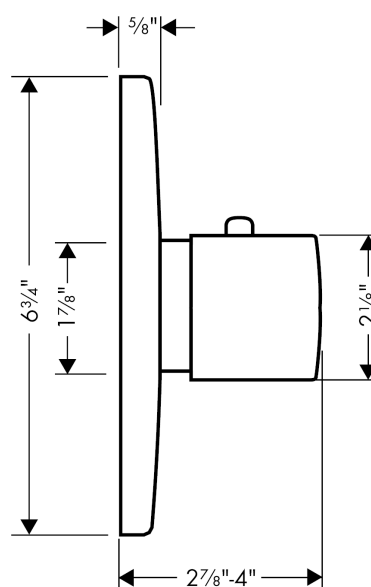
#### Compliance



#### Product image



#### Scale drawing

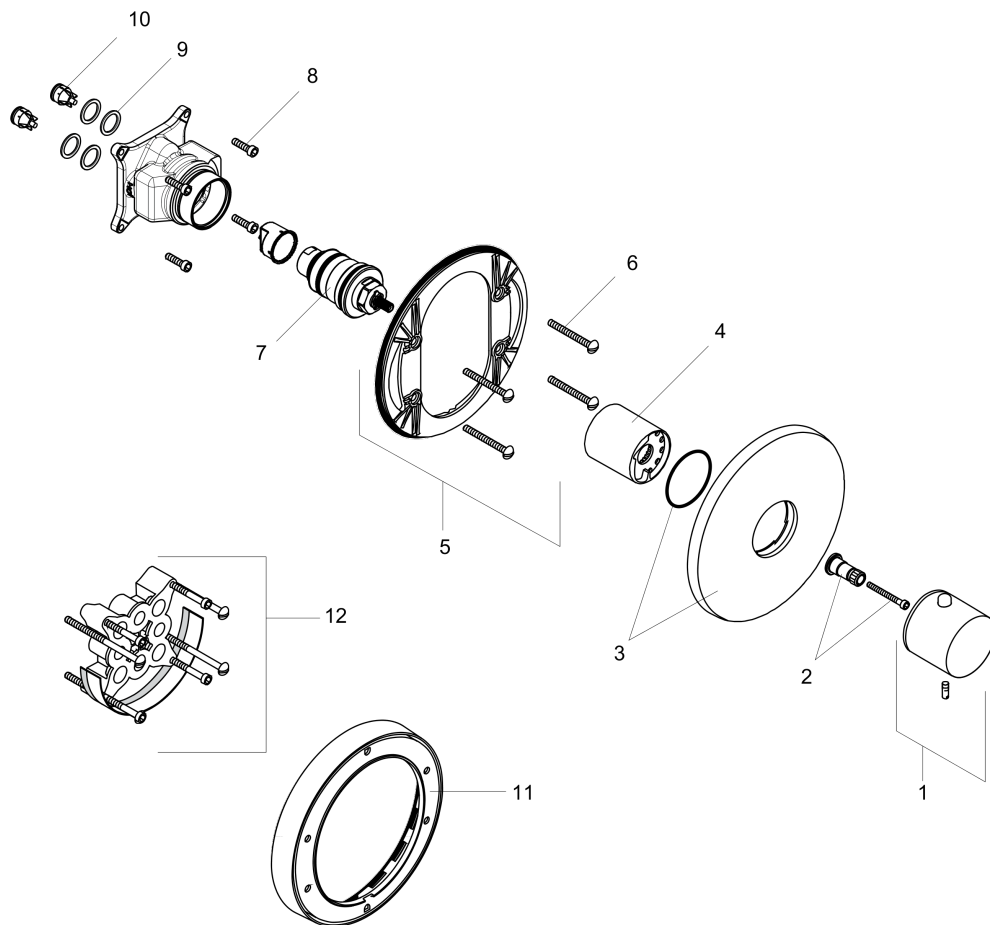


**AXOR Uno**  
**AXOR Uno Thermostatic Trim, Highflow**  
Finishes : **brushed nickel** Part no. : **38715821**



## Exploded drawing

Year of production: >06/09



## AXOR Uno

### AXOR Uno Thermostatic Trim, Highflow

Finishes : **brushed nickel** Part no. : **38715821**



#### Spare parts list

Year of production: >06/09

Pos.	Description	Part no.	Price	PU
1	handle for thermostat	38391821	-	1
2	adapter for handle	96435000	-	1
3	escutcheon Ø 170 mm	96452820	-	1
4	sleeve	97439820	-	1
5	sub plate	96447000	-	1
6	set of fixing screws	96454000	-	1
7	thermostat cartridge	96633000	-	1
8	set of screws	96525000	-	1
9	O-ring 16x2	98133000	-	1
10	set of non return valves DW 15	97350000	-	1
11	extension 25 mm	13595000	-	1
12	extension 22 mm (Ø 170 mm)	13596820	-	1
a	base body	01850181	-	1
b	sealing set	96636000	-	1
c	O-ring 48x5	98174000	-	1