

CRYSTORAMA



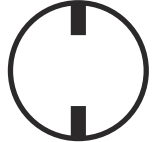
1958

95 Cantiague Rock Road, Westbury, NY 11590 • toll free: 1.800.888.4470 fax: 516.931.1254 • info@crystorama.com • www.crystorama.com

MODEL #: 3812-AG

ASSEMBLY AND DRESSING INSTRUCTIONS

WARNING:

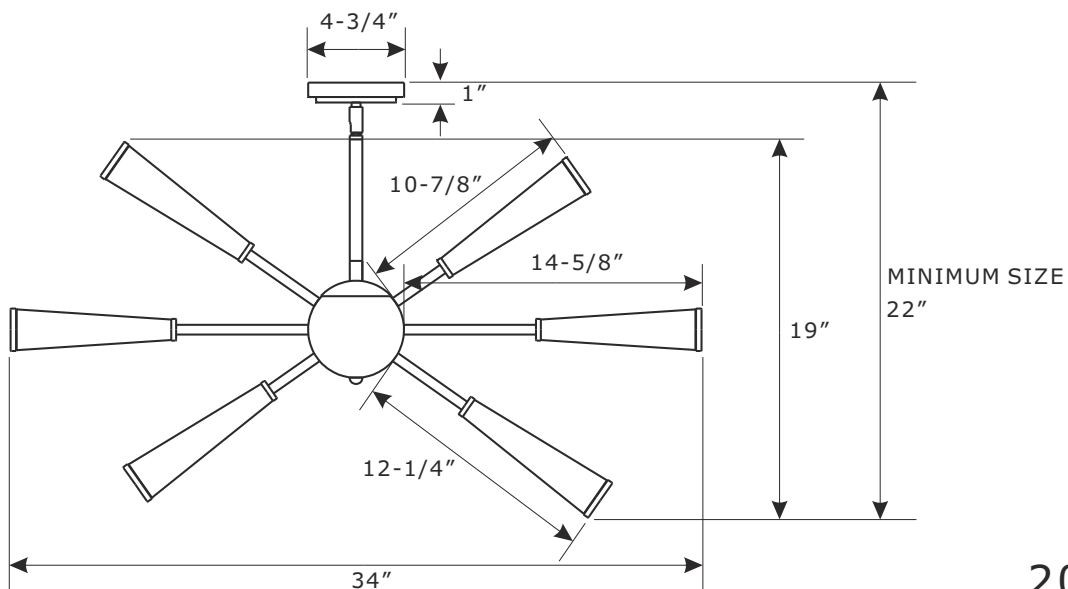
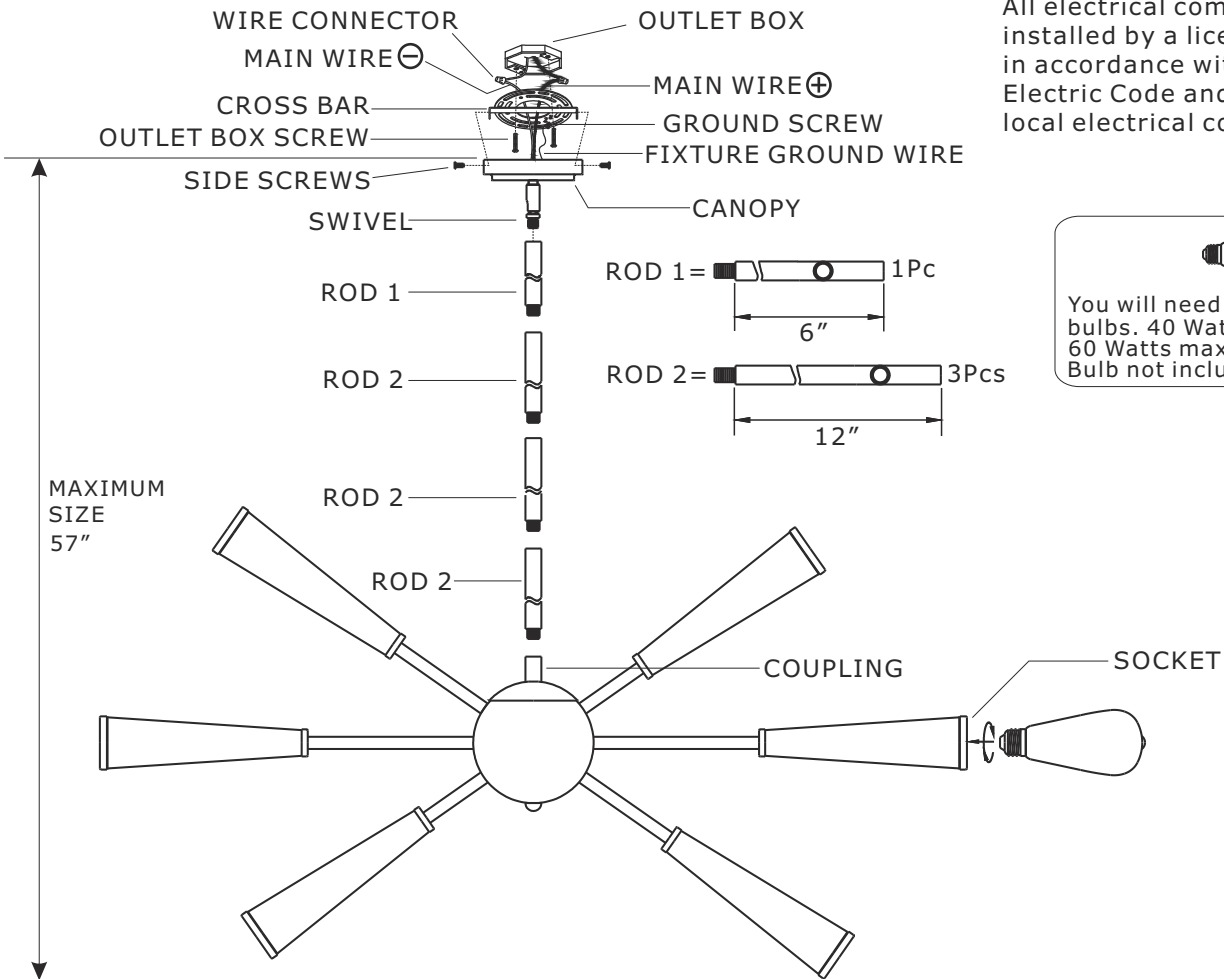


Electrical Danger Turn Power off

All electrical components must be installed by a licensed electrician in accordance with the National Electric Code and the appropriate local electrical codes.



You will need 12 Medium ST58 bulbs. 40 Watts recommended 60 Watts max. Bulb not included.



2018-01