

**AXOR Uno**  
**AXOR Uno Single-Hole Faucet, Tall, 1.2 GPM**  
 Finishes : **brushed nickel**    Part no. : **38025821**



## Description

### Features

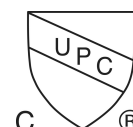
- Aerated spray
- Flow: 1.2 GPM (4.5 L/Min)
- Ceramic cartridge
- Includes pop-up drain

## Item details

### Technology



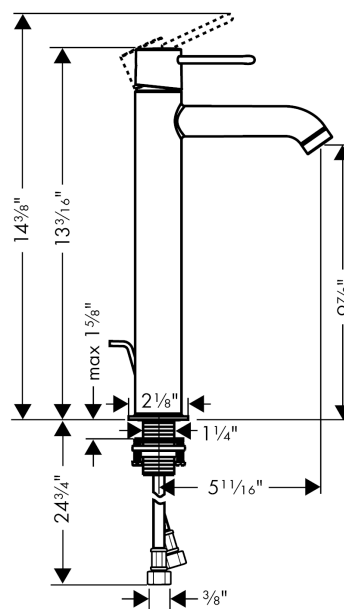
### Compliance



## Product image



## Scale drawing

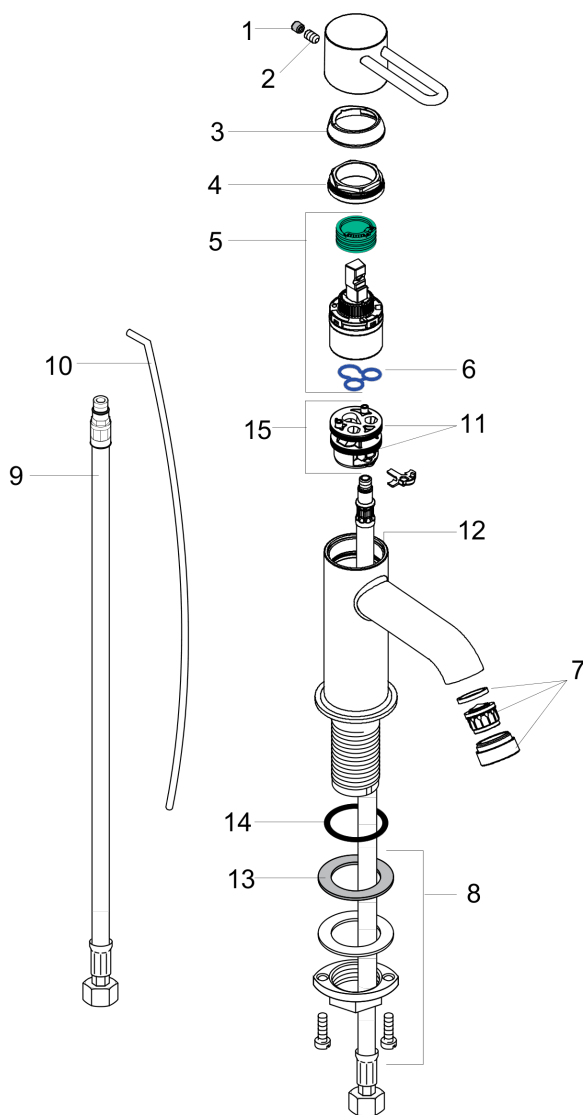


**AXOR Uno**  
**AXOR Uno Single-Hole Faucet, Tall, 1.2 GPM**  
Finishes : **brushed nickel** Part no. : **38025821**



## Exploded drawing

Year of production: >07/16



**AXOR Uno**  
**AXOR Uno Single-Hole Faucet, Tall, 1.2 GPM**  
 Finishes : **brushed nickel** Part no. : **38025821**



## Spare parts list

Year of production: >07/16

Pos.	Description	Part no.	Price	PU
1	screw cover	96762000	-	1
2	hollow set screw M6x10 DIN 916	96029000	-	1
3	flange	96763820	-	1
4	nut	97209000	-	1
5	cartridge, assy	95646001	-	1
6	seal	95008000	-	1
7	aerator M24x1 (4,5 l/min)	92878820	-	1
8	fixing set (Ø 32)	13961000	-	1
9	connection hose 35½" M8x0,75 3/8"	96316001	-	1
10	pull rod	96923820	-	1
11	O-Ring 30x2	98186000	-	1
12	O-ring 35x2	92604000	-	1
13	lever collar	97548000	-	1
14	flat seal	98749000	-	1
15	adapter for cartridge	98750000	-	1
a	pop up waste	88509820	-	1
b	handle	38094820	-	1