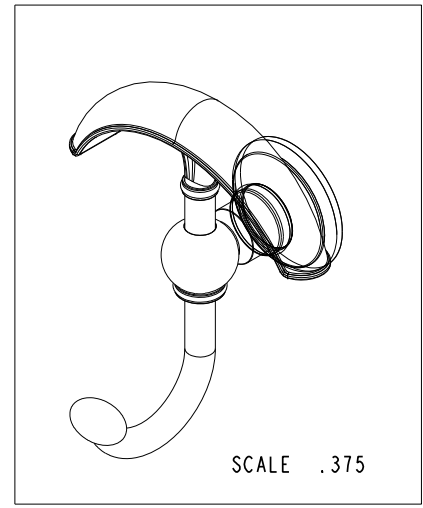
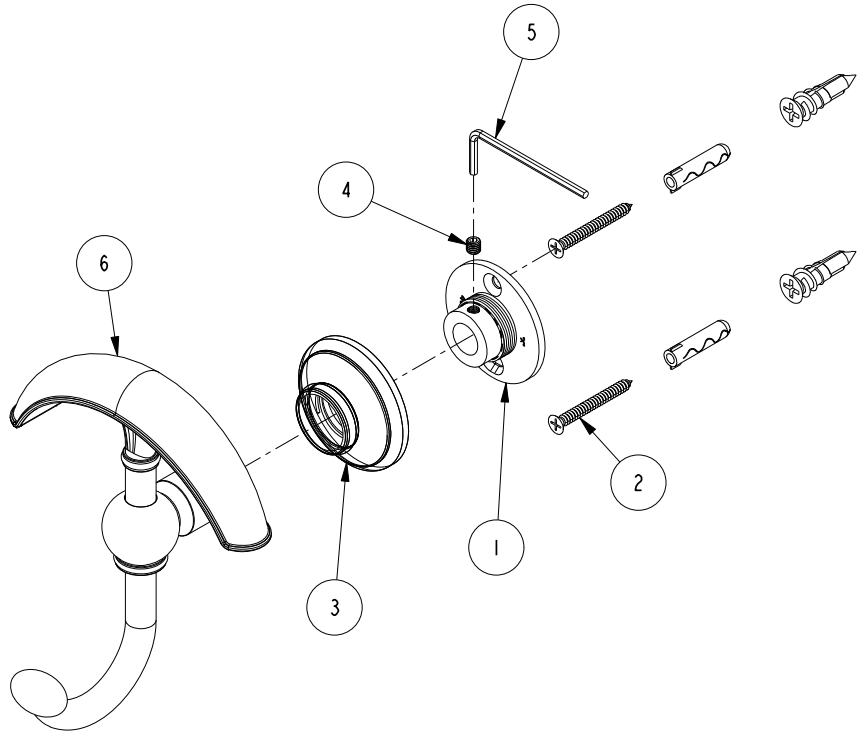


BILL OF MATERIAL (CURRENT LEVEL)				
ITEM	PT/ASSY	DESCRIPTION	TYPE	QTY.
1	45XX	MOUNTING FLANGE	PART	1
2	1-206	HARDWARE PACK	ASSEMBLY	1
3	4500	ROSETTE	PART	1
4	92308	SCRW, M5 X 5 CUP POINT 18-8 SS SOCKET HD SET (MMC# 92015A117)	PART	1
5	10888	2.5MM ALLOY STEEL HEX KEY	PART	1
6	7-705	DOUBLE ROBE HOOK - POST ASM	ASSEMBLY	1



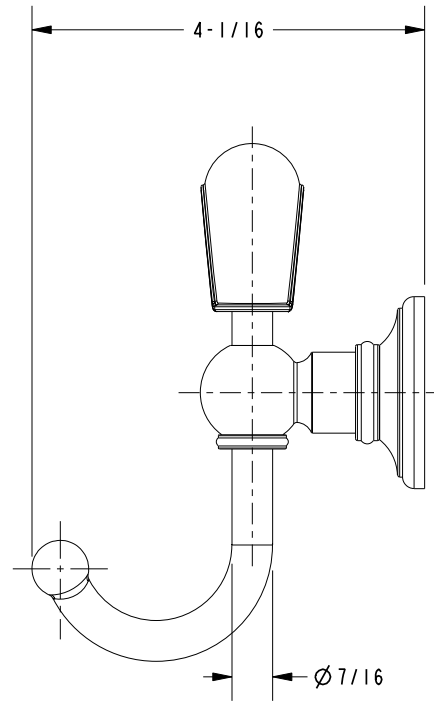
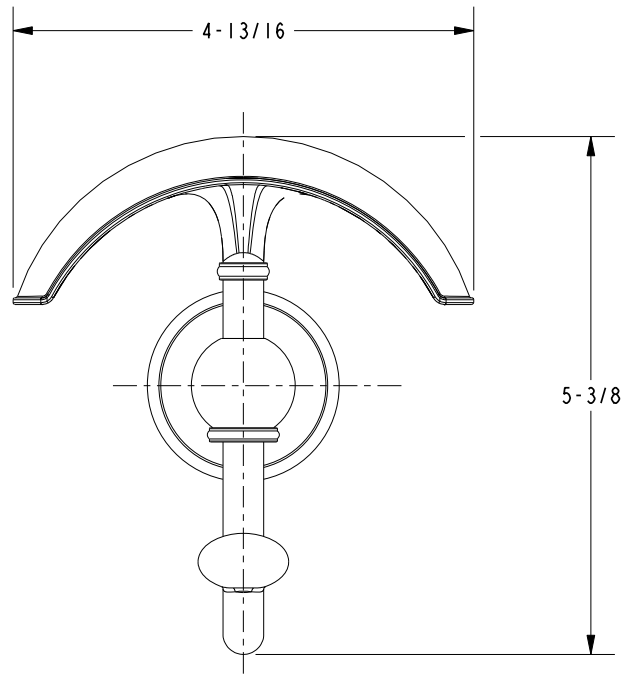
COPYRIGHT 2005 BRASSTECH, INC. THESE DRAWINGS AND THE DESIGNS DEPICTED HEREIN ARE THE PROPRIETARY PROPERTY OF BRASSTECH. ANY USE OR REPRODUCTION IS SUBJECT TO THE EXPRESS APPROVAL OF BRASSTECH. UNAUTHORIZED USE IS STRICTLY PROHIBITED. ALL RIGHTS RESERVED.

BRASSTECH
INCORPORATED
2001 E. CARNEGIE AVE.
SANTA ANA, CA 92705
(949) 417-5207

DOUBLE ROBE HOOK

ASSY. NO.	38-12		-	-	-
SCALE	.375	REF.	-	SHEET 1 OF 2	REV
				REV DESC	DATE

SPECIFICATION DWG



DIMENSIONS ARE IN INCHES AND AN APPROXIMATION OF A TYPICAL INSTALLATION

COPYRIGHT 2005 BRASSTECH, INC. THESE DRAWINGS AND THE DESIGNS DEPICTED HEREIN ARE THE PROPRIETARY PROPERTY OF BRASSTECH. ANY USE OR REPRODUCTION IS SUBJECT TO THE EXPRESS APPROVAL OF BRASSTECH. UNAUTHORIZED USE IS STRICTLY PROHIBITED. ALL RIGHTS RESERVED.

BRASSTECH		2001 E. CARNEGIE AVE.	
INCORPORATED		SANTA ANA, CA 92705	
		(949) 417-5207	
DWG NO.	38-12	REV	-
SCALE	.500	REF.	-
		SHEET	2 OF 2