

NOTES:

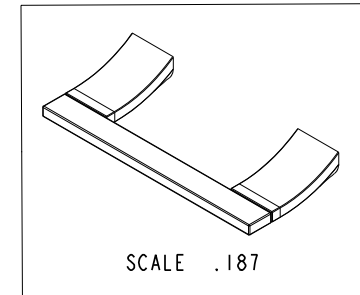
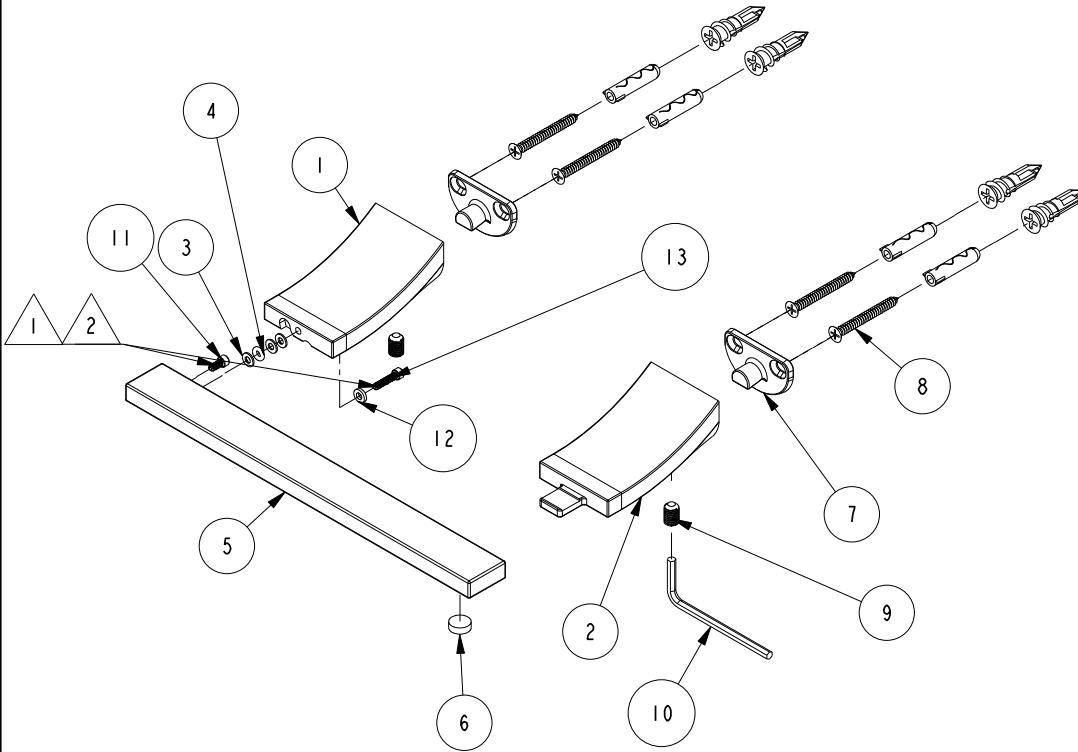
1 APPLY PERMANENT THREAD LOCKER (LOCTITE 680)

2 APPLY 3 IN-LB TORQUE.

3. BAG ITEMS 8 AND 10. ASSEMBLE ALL REMAINING.

BILL OF MATERIAL (CURRENT LEVEL)

ITEM	PT/ASSY	DESCRIPTION	TYPE	QTY.
1	40437	PIVOTING TISSUE POST LEFT	PART	1
2	40430	PIVOTING TISSUE POST RIGHT	PART	1
3	92441	WASHER, ACETAL .25" OD X .12" ID, (MMC# 95647A112)	PART	3
4	91100	O-RING #2-006	PART	1
5	40431	PIVOTING TISSUE BAR	PART	1
6	91541	BUMPER- ADHESIVE BACKED POLYURETHANE FLT TOP 3/8" DIA 1/8" H BLK (MMC# 95495K66)	PART	1
7	92437	MOUNTING BRACKET	PART	2
8	1-206	HARDWARE PACK	ASSEMBLY	2
9	92495	SCRW, 1/4-28 x 3/8" CUP POINT SET SS (MMC # 92311A558)	PART	2
10	92422	HEX KEY, 1/8" ALLOY STEEL (MMC# 7122A18)	PART	1
11	92431	SCRW, 4-40 X 1/4" SOCKET HD CAP, 18-8 SS (MMC# 92196A106)	PART	1
12	92479	WASHER FLT. 18-8 SS 1/4" OD, 1/8" ID, .05"-.08" THICK (MMC# 98370A005)	PART	1
13	92442	SCRW, 4-40 X 1/2" SOCKET HD CAP, 18-8 SS (MMC# 92196A110)	PART	1



COPYRIGHT 2005 BRASSTECH, INC. THESE DRAWINGS AND THE DESIGNS DEPICTED HEREIN ARE THE PROPRIETARY PROPERTY OF BRASSTECH. ANY USE OR REPRODUCTION IS SUBJECT TO THE EXPRESS APPROVAL OF BRASSTECH. UNAUTHORIZED USE IS STRICTLY PROHIBITED. ALL RIGHTS RESERVED.

**BRASSTECH**  
INCORPORATED  
2001 E. CARNEGIE AVE.  
SANTA ANA, CA 92705  
(949) 417-5207

PIVOTING TISSUE HOLDER

ASSY. NO. 37-28

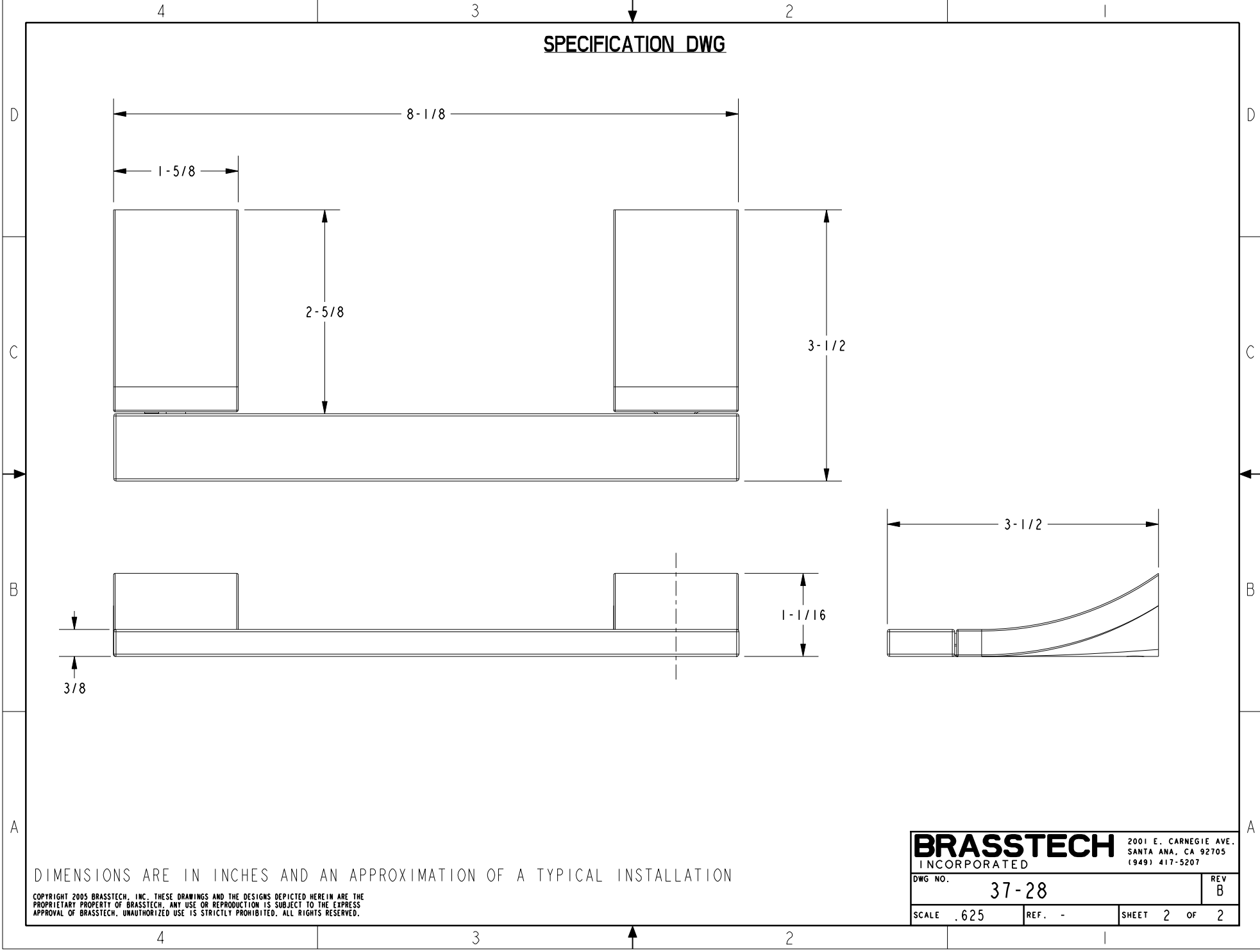
SCALE .312

REF. -

SHEET 1 OF 2

B	EN-1884	08/29/11
A	EN-1718	04/04/11
-	EN-1294	11/09/10
REV	REV DESC	DATE

**SPECIFICATION DWG**



DIMENSIONS ARE IN INCHES AND AN APPROXIMATION OF A TYPICAL INSTALLATION

COPYRIGHT 2005 BRASSTECH, INC. THESE DRAWINGS AND THE DESIGNS DEPICTED HEREIN ARE THE PROPRIETARY PROPERTY OF BRASSTECH. ANY USE OR REPRODUCTION IS SUBJECT TO THE EXPRESS APPROVAL OF BRASSTECH. UNAUTHORIZED USE IS STRICTLY PROHIBITED. ALL RIGHTS RESERVED.

<b>BRASSTECH</b>		2001 E. CARNEGIE AVE.	
INCORPORATED		SANTA ANA, CA 92705	
		(949) 417-5207	
DWG NO.	<b>37-28</b>	REV	<b>B</b>
SCALE	.625	REF.	-
		SHEET	2 OF 2