

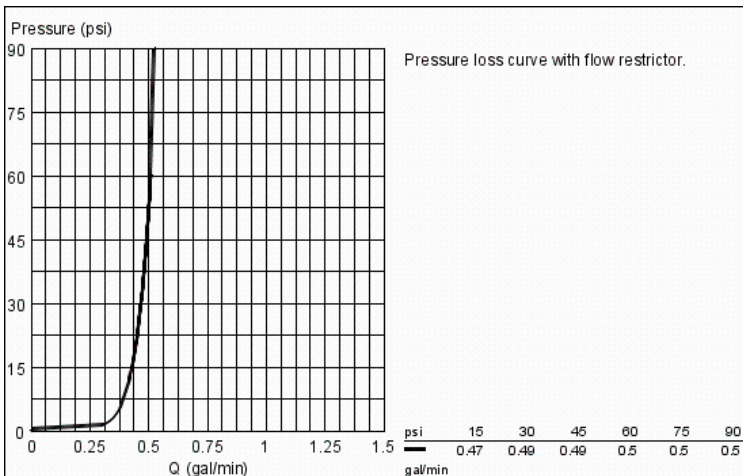
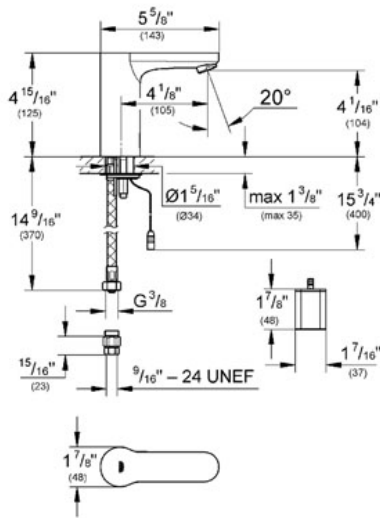
# EUROSMART COSMOPOLITAN E

MODEL # 36329

Pure Freude an Wasser



GROHE America, Inc | 200 North Gary Avenue, Suite G, Roselle, IL 60172  
 Phone: +1 (800) 444-7643 | Fax: +1 (800) 225-2778 | us-customerservice@grohe.com



### Product Description:

#### Standard Specification:

- with infrared sensor for bi-directional communication for monitoring, configuration and service purpose
- 6V lithium-battery, type CR-P2
- Multi-stage battery status display
- Single hole installation
- For 1/2" angle valve
- Aerator 1 gallon/min
- Wash cycle 12 sec, 0.2 gallons
- Dirt strainers
- Quick installation system
- 7 pre-set programs:
  - auto flush
  - thermal disinfection
  - cleaning mode
- additional functions and precise settings by remote control 36 407
- Min. recommended pressure 15 psi
- **CE approved**

#### Applicable Codes & Standards:

- Energy Policy Act of 1992
- NSF 61
- ASME A112.18.1/CSA B125.1
- US Federal and State material regulations
- EPA WaterSense®
- ICC/ANSI A117.1

#### Color:

- 36329 000 chrome