

EUROSMART COSMOPOLITAN E
DESIGN + ENGINEERING
GROHE GERMANY

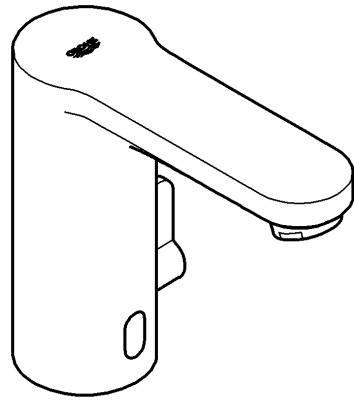
99.555.331/ÄM 232371/06.15

www.grohe.com

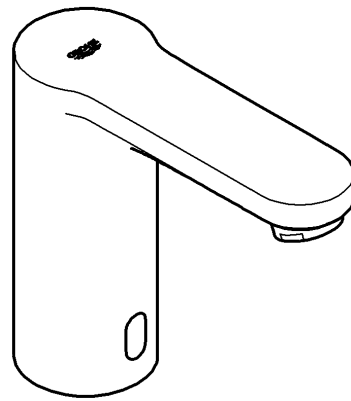
Pure Freude an Wasser



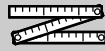
36 328



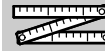
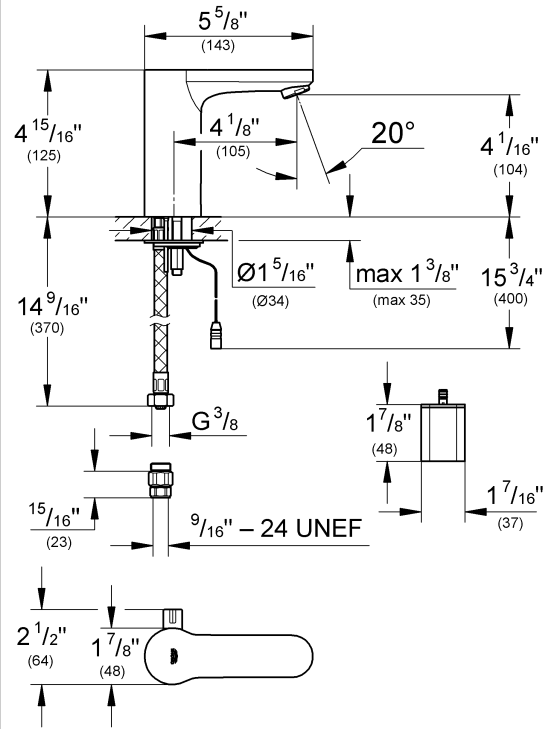
36 329



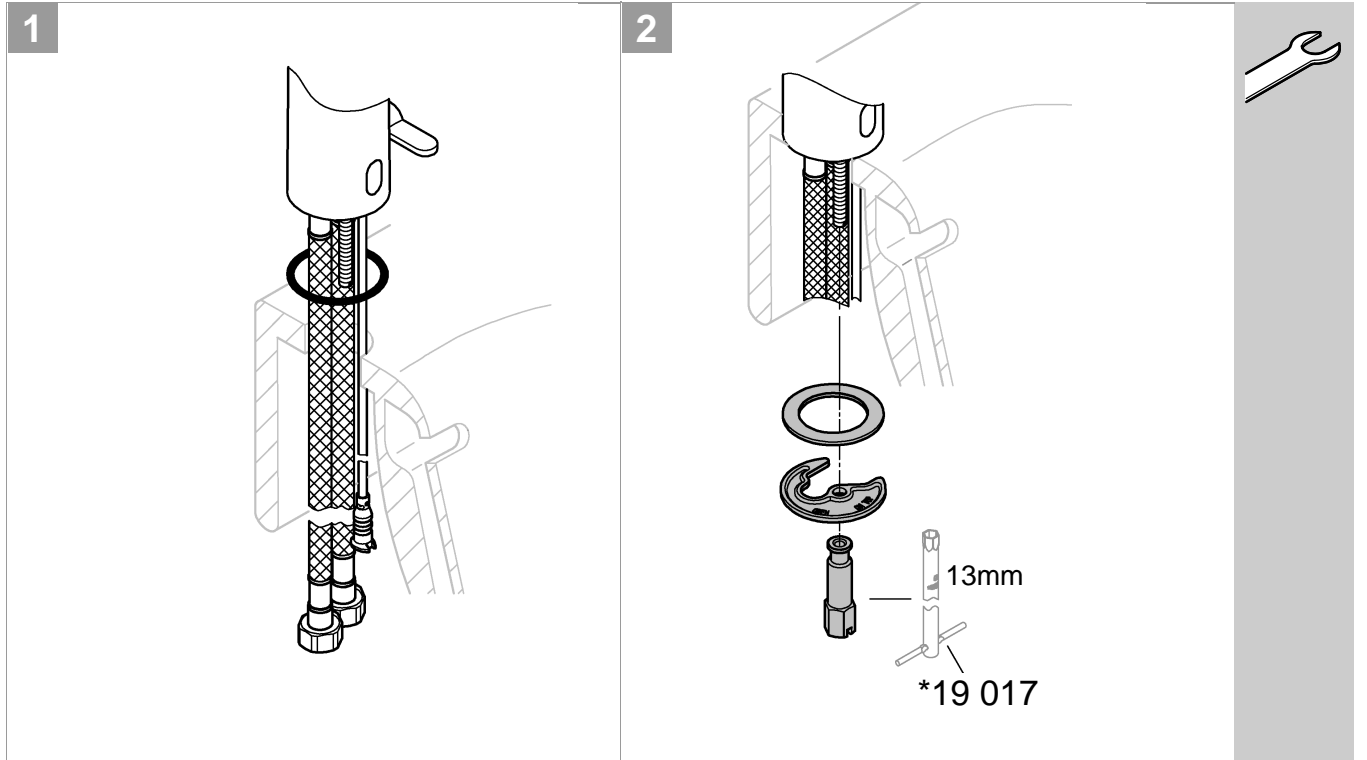
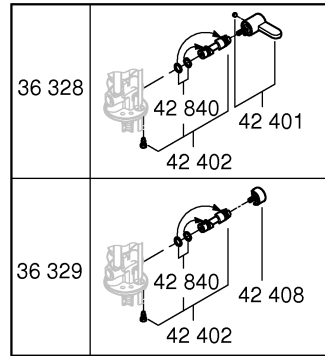
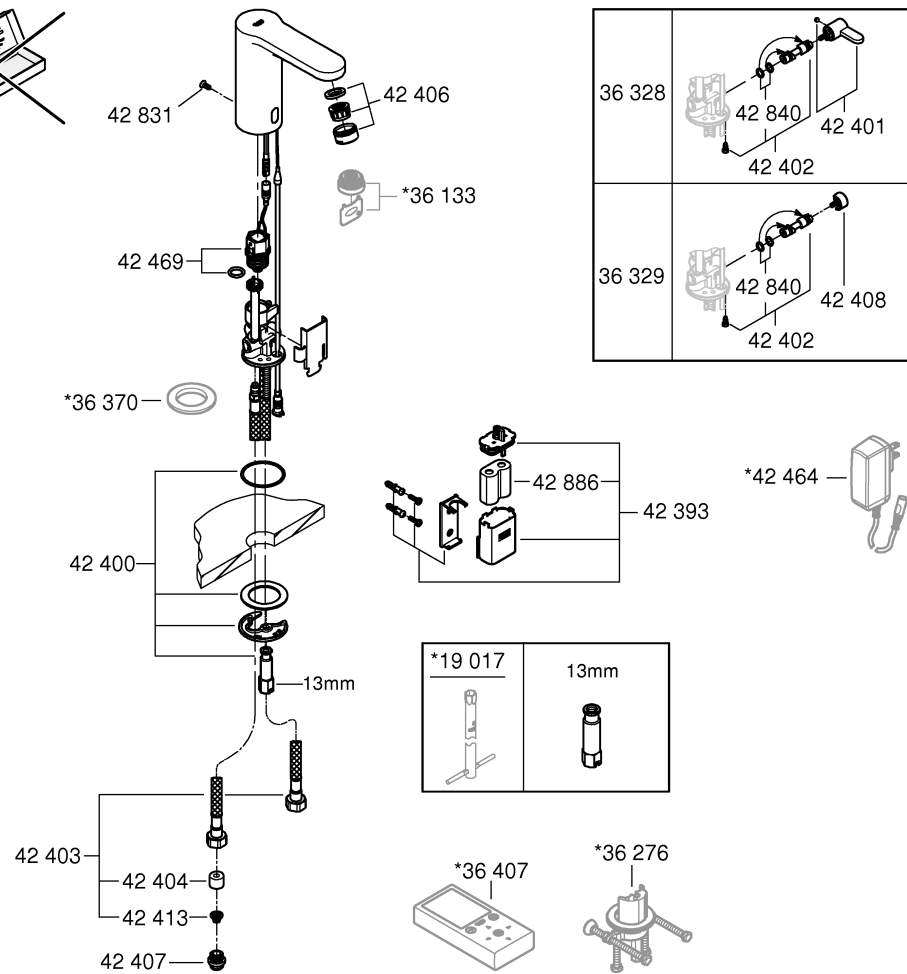
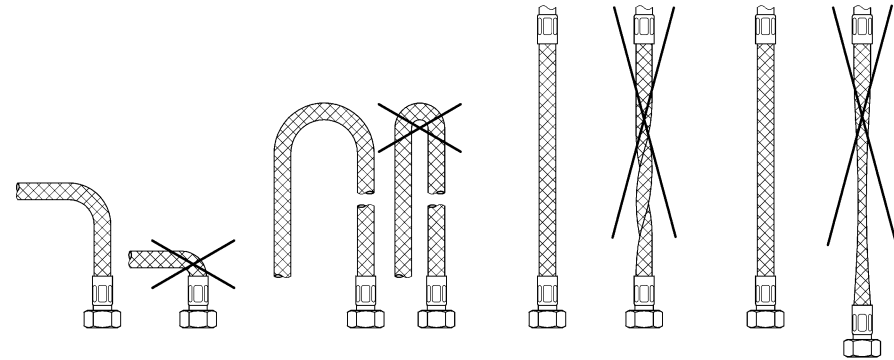
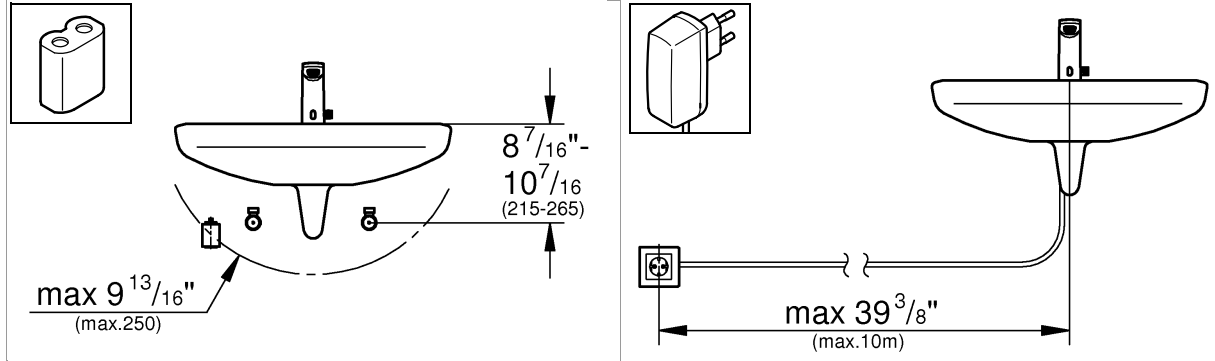
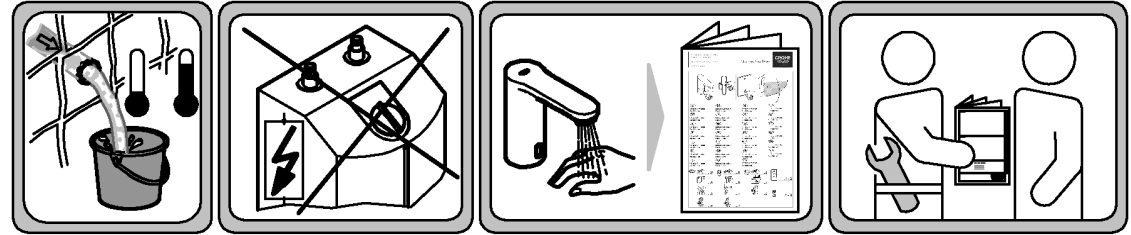
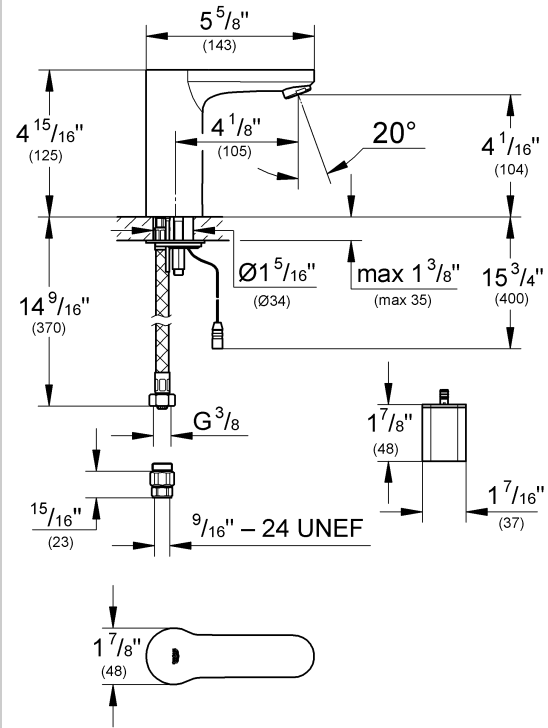
English1
Français2
Español3

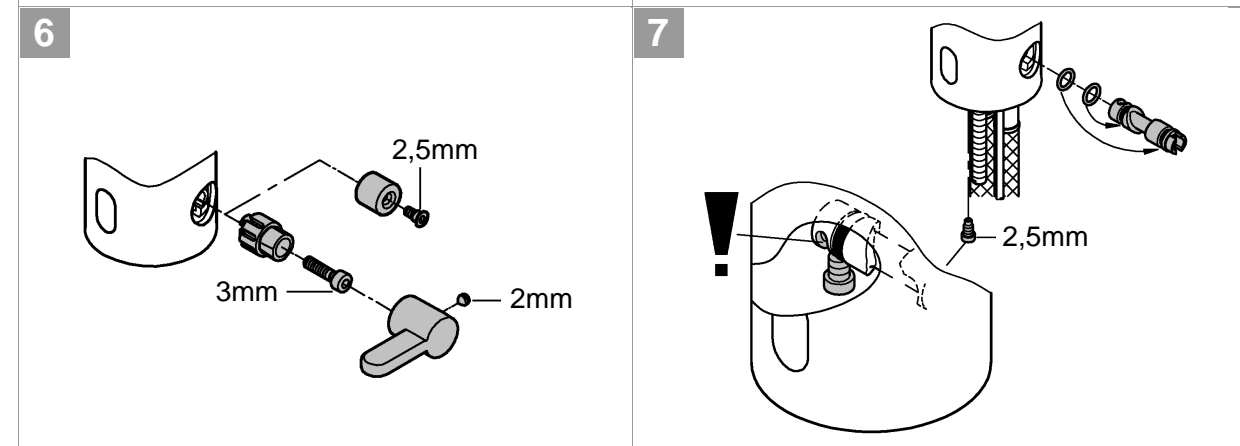
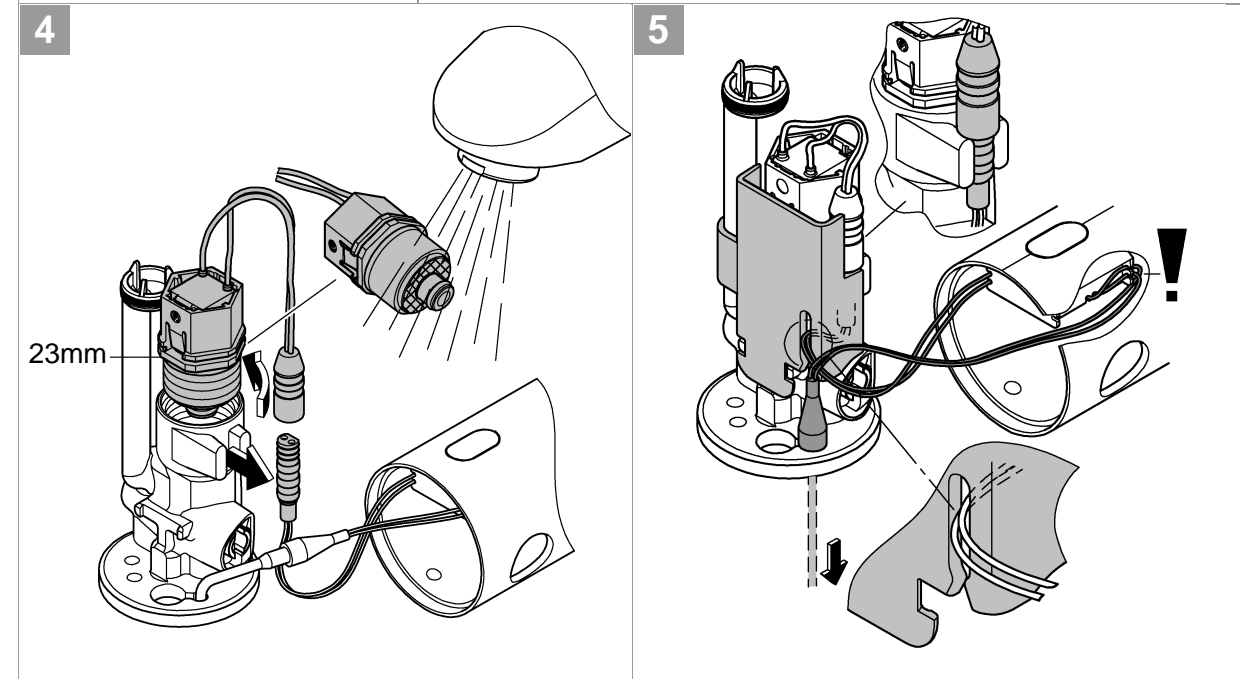
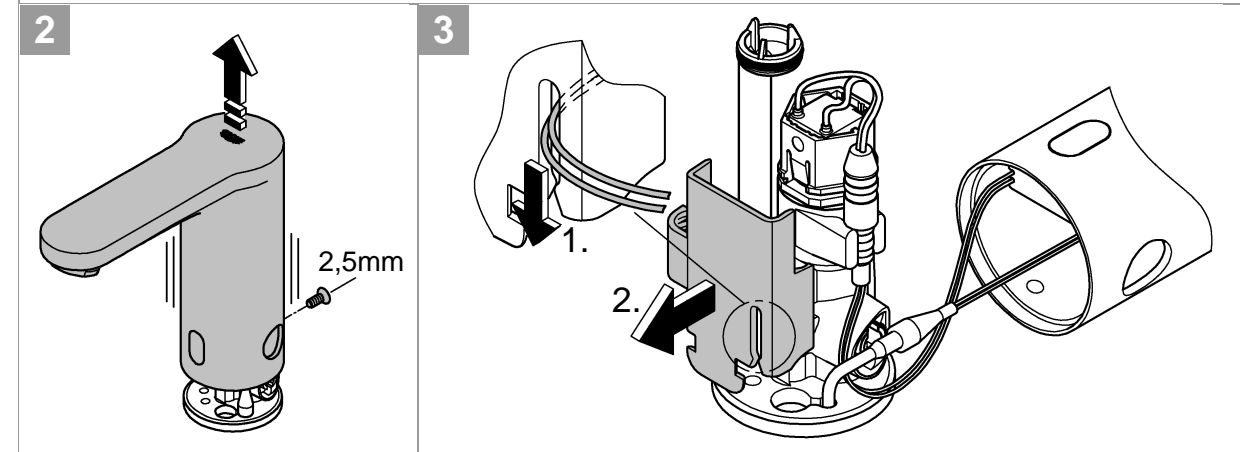
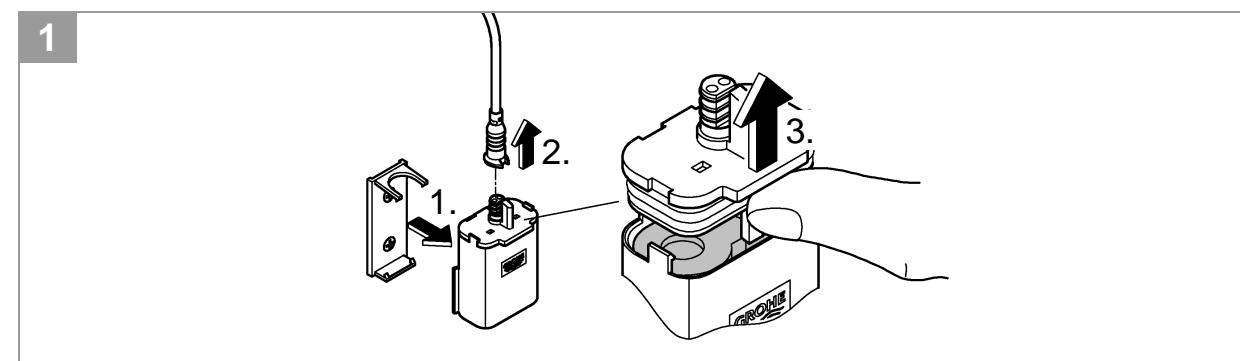
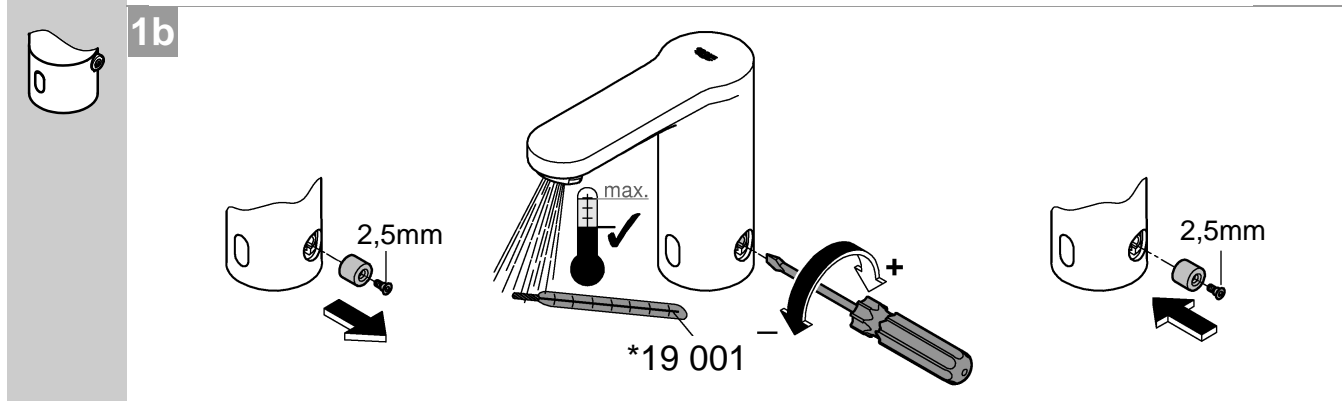
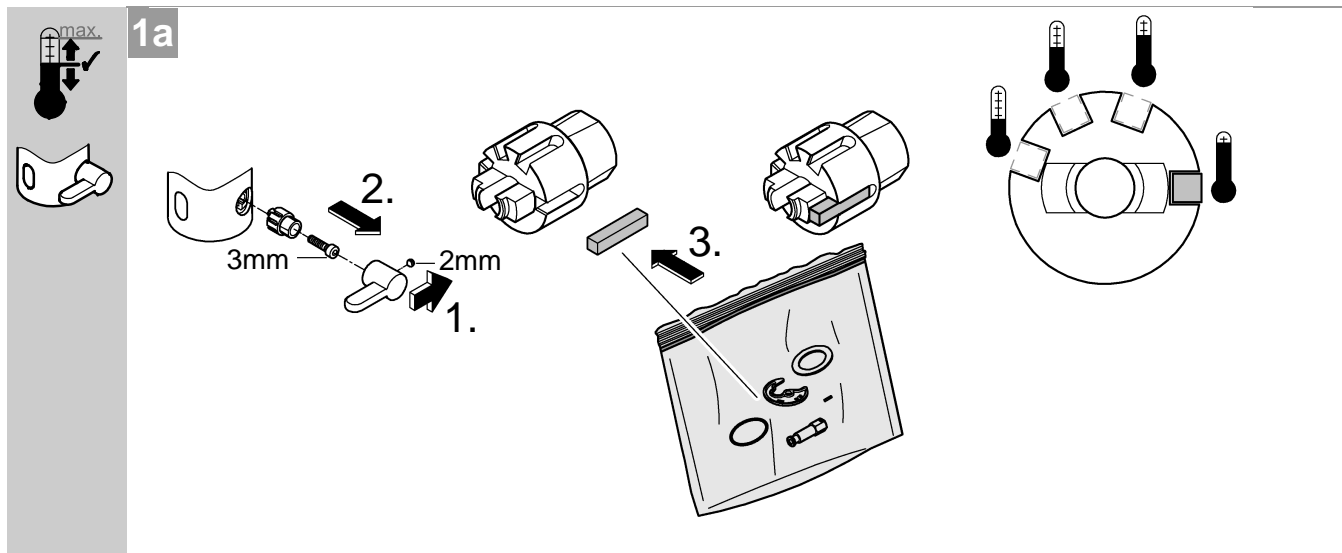
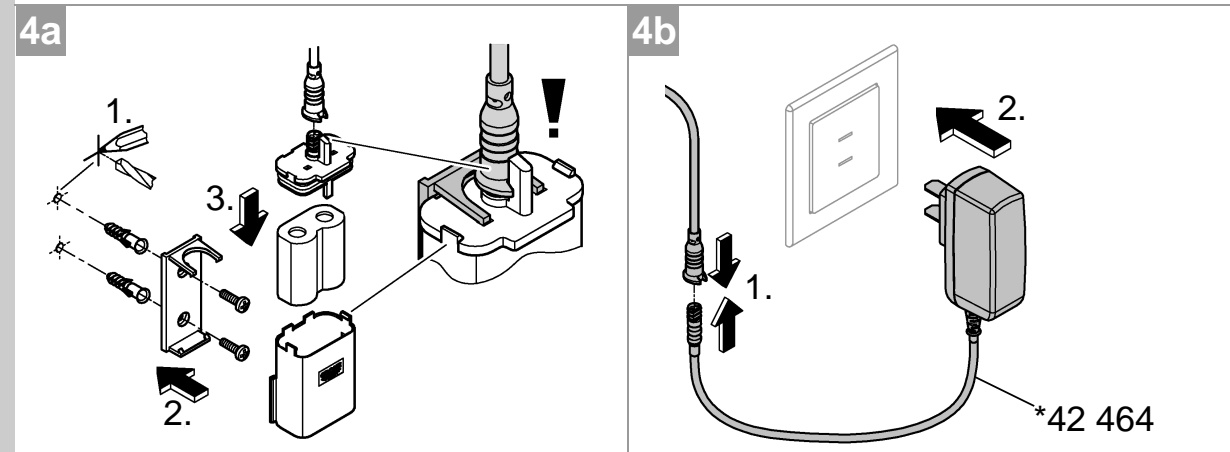
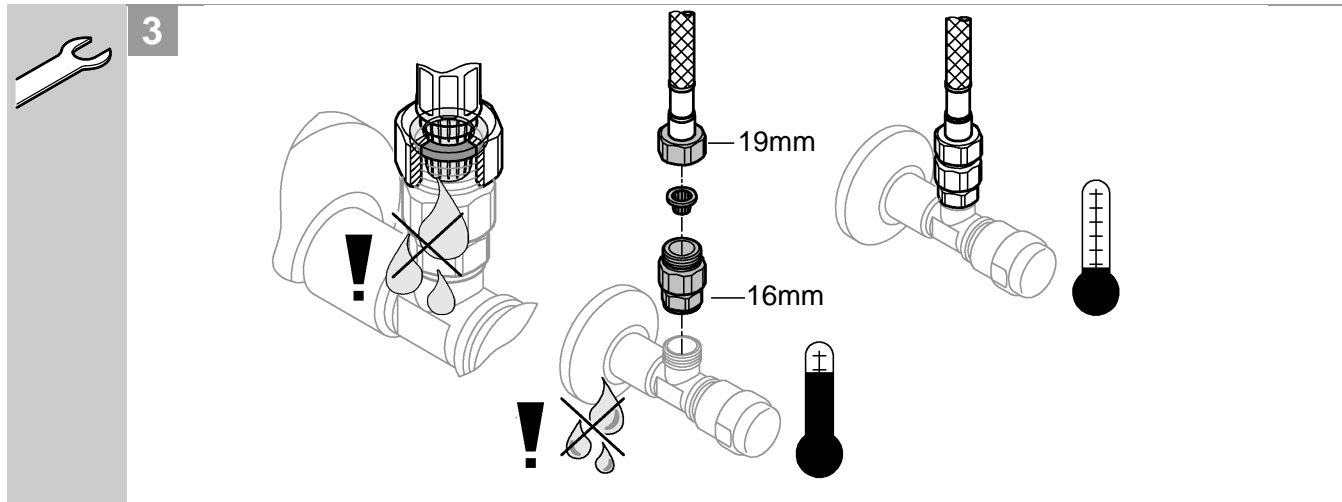


36 328



36 329





English

Safety notes



Prevent danger resulting from damaged voltage supply cables.
If damaged, the voltage supply cable must be replaced by the manufacturer or his customer service department or an equally qualified person.

- Installation is only possible in frost-free rooms.
- The plug-in voltage supply is only suitable for indoor use.
- The plug-in connectors must **not** be directly or indirectly sprayed with water when cleaning.
- The voltage supply must be separately switchable.
- Use **only genuine replacement parts and accessories**.
The use of other parts will result in voiding of the warranty and the CE identification, and could lead to injuries.

Technical data

- Max. flow: 0.8 L/cycle or 0.2 gpc / 0.41 MPa (60 psi)
 - Flow pressure:
 - min. 0.05 MPa (7.25 psi)
 - recommended 0.1 - 0.5 MPa (14.5 - 72.5 psi)
 - Operating pressure: max. 1 MPa (145 psi)
 - Test pressure: 1.6 MPa (232 psi)
 - Hot water supply temperature: max. 158 °F
 - Recommended (energy economy): 140 °F
- Thermal disinfection possible.

Fitting with battery:

- Voltage supply: 6V lithium battery type CR-P2

Fitting with switched-mode power supply (42 464):

- Voltage supply: 100-240 V AC 50-60 Hz/6.75 V DC
- Power consumption: 2.4 W
- Automatic safety shut-off (6 - 420 s adjustable): 11 s
- Run-on time (0 - 19 s adjustable): 1 s
- Reception range according to Kodak Gray Card, grey side, 8x10", landscape (adjustable): approx. 5"
- Type of fitting protection: IP 59K

Electrical test data

- Software class A
- Contamination class 2
- Rated surge voltage 2500 V
- Temperature of ball impact test 100 °C

The test for electromagnetic compatibility (interference emission test) was performed at the rated voltage and rated current.

If static pressures exceed 0.5 MPa (72.5 psi), a pressure-reducing valve must be installed.

Major pressure differences between cold and hot water supply should be avoided.

Installation, see fold-out page I.



Flush piping system prior and after installation of fitting thoroughly!

Open cold and hot water supply and check connections for leakage.

Setting temperature limiter,



see fold-out page II.

Operation,



see technical product information, 99.0438.xxx.

Maintenance, see fold-out page II.



- Shut off hot and cold water supply.
- Disconnect voltage supply.
- Inspect and clean all components and replace if necessary.

Replacement parts



see fold-out page I (* = special accessories)

Care

Instructions for care of this faucet will be found in the Limited Warranty supplement.

Fault / Cause / Remedy

Fault	Cause	Remedy
Water not flowing	<ul style="list-style-type: none"> • Filter in solenoid valve blocked • Solenoid valve defective • Plug-in connector without contact • No voltage <ul style="list-style-type: none"> - Battery discharged (indicator lamp lights up continuously) - Power supply unit defective 	<ul style="list-style-type: none"> - Clean filter - Replace solenoid valve - Check plug-in connector - Replace battery - Replace power supply unit
Undesired water flow	<ul style="list-style-type: none"> • Sensor system detection zone set too high for local conditions • Automatic flushing activated • Solenoid valve defective 	<ul style="list-style-type: none"> - Reduce range using remote control (special accessory, prod. no.: 36 407) - Wait 1 - 10 minutes - Replace solenoid valve
Flow rate too low	<ul style="list-style-type: none"> • Mousseur dirty • Filter in solenoid valve dirty • Filters in connection hose dirty 	<ul style="list-style-type: none"> - Clean or replace mousseur - Clean filter - Clean or replace filters