

AXOR Citterio E

AXOR Citterio E Single-Hole Faucet with Lever Handle without Pop-Up, 1.2 GPM

Finishes : **chrome** Part no. : **36111001**



Description

Features

- Laminar spray
- Flow: 1.2 GPM (4.5 L/Min)
- Ceramic cartridge

Item details

List Price

Technology



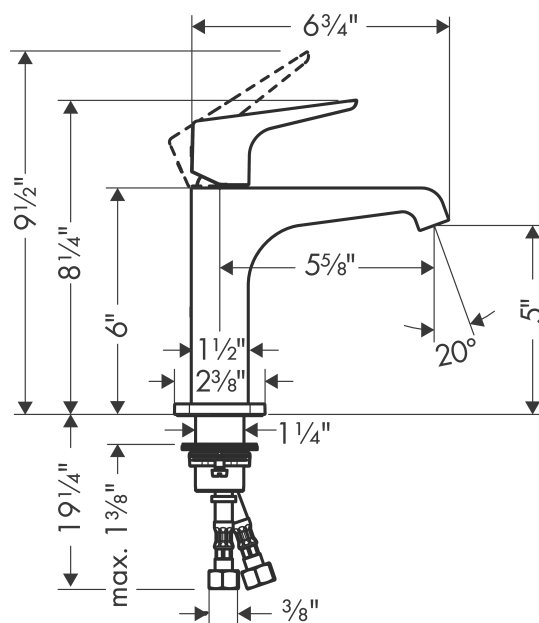
Compliance



Product image



Scale drawing



AXOR Citterio E

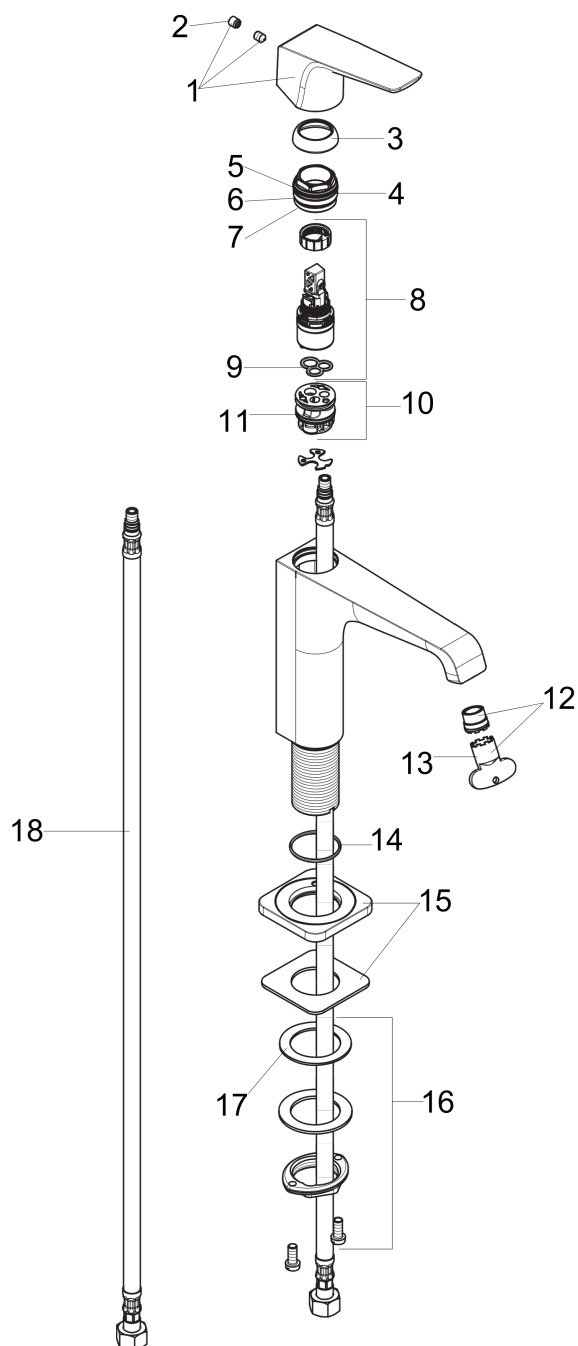
AXOR Citterio E Single-Hole Faucet with Lever Handle without Pop-Up, 1.2 GPM

Finishes : **chrome** Part no. : **36111001**



Exploded drawing

Year of production: >07/16



AXOR Citterio E

AXOR Citterio E Single-Hole Faucet with Lever Handle without Pop-Up, 1.2 GPM

Finishes : **chrome** Part no. : **36111001**



Spare parts list

Year of production: >07/16

Pos.	Description	Part no.	Price	PU
1	handle	92593000	-	1
2	screw cover	96762000	-	1
3	flange	98863000	-	1
4	nut	98864000	-	1
5	O-Ring 22x2	98185000	-	1
6	O-ring 28x1,5	98421000	-	1
7	O-ring 25x1,5	98146000	-	1
8	cartridge, assy	95973001	-	1
9	seal	98865000	-	1
10	adapter for cartridge	98866000	-	1
11	O-ring 23x2	98398000	-	1
12	aerator laminar M16,5x1 (4,5 l/min)	92876000	-	1
13	special tool	98987000	-	1
14	O-ring 30x1,5	98433000	-	1
15	escutcheon	92190000	-	1
16	fixing set (Ø 32)	13961000	-	1
17	lever collar	97548000	-	1
18	connection hose 23½" M8x0,75 3/8"	98600001	-	1