

**AXOR Citterio E**  
**AXOR Citterio E Single-Hole Faucet, 1.2 GPM**  
 Finishes : **chrome**    Part no. : **36100001**



## Description

### Features

- Laminar spray
- Flow: 1.2 GPM (4.5 L/Min)
- Joystick ceramic cartridge
- Includes pop-up drain

## Item details

List Price

## Technology



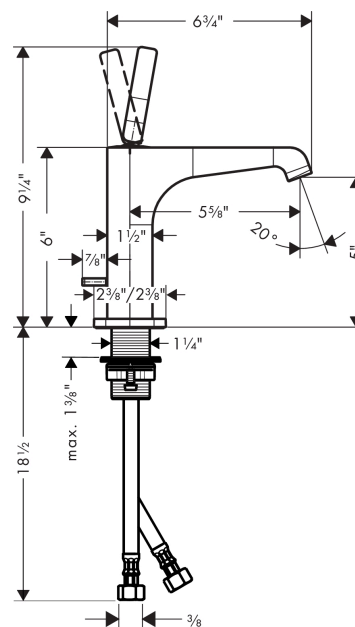
## Compliance



## Product image



## Scale drawing

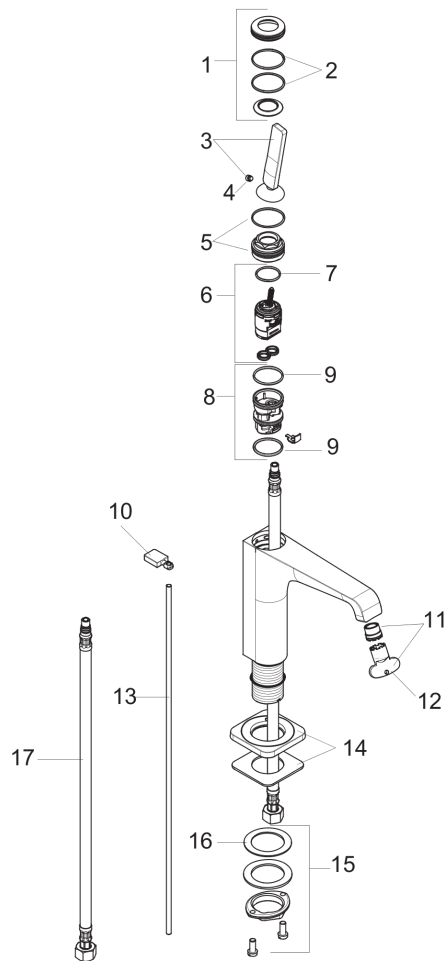


**AXOR Citterio E**  
**AXOR Citterio E Single-Hole Faucet, 1.2 GPM**  
Finishes : **chrome**    Part no. : **36100001**



## Exploded drawing

Year of production: >07/16



**AXOR Citterio E**  
**AXOR Citterio E Single-Hole Faucet, 1.2 GPM**  
 Finishes : **chrome** Part no. : **36100001**



## Spare parts list

Year of production: >07/16

| Pos. | Description                         | Part no. | Price | PU |
|------|-------------------------------------|----------|-------|----|
| 1    | escutcheon                          | 92188000 | -     | 1  |
| 2    | O-ring 30x1,5                       | 98433000 | -     | 1  |
| 3    | handle                              | 92189000 | -     | 1  |
| 4    | hollow set screw M6x6               | 97660000 | -     | 1  |
| 5    | nut                                 | 95667000 | -     | 1  |
| 6    | cartridge, assy                     | 96339000 | -     | 1  |
| 7    | O-ring 21,95x1,78                   | 95169000 | -     | 1  |
| 8    | adapter for cartridge               | 95289000 | -     | 1  |
| 9    | O-ring 26x2                         | 98147000 | -     | 1  |
| 10   | diverter knob                       | 92197000 | -     | 1  |
| 11   | aerator laminar M16,5x1 (4,5 l/min) | 92876000 | -     | 1  |
| 12   | special tool                        | 98987000 | -     | 1  |
| 13   | pull rod                            | 95128000 | -     | 1  |
| 14   | escutcheon                          | 92190000 | -     | 1  |
| 15   | fixing set (Ø 32)                   | 13961000 | -     | 1  |
| 16   | lever collar                        | 97548000 | -     | 1  |
| 17   | connection hose 23½" M8x0,75 3/8"   | 98600001 | -     | 1  |
| a    | fixation extension 35 mm            | 13898000 | -     | 1  |
| b    | pop up waste                        | 88509000 | -     | 1  |