

4

3

2

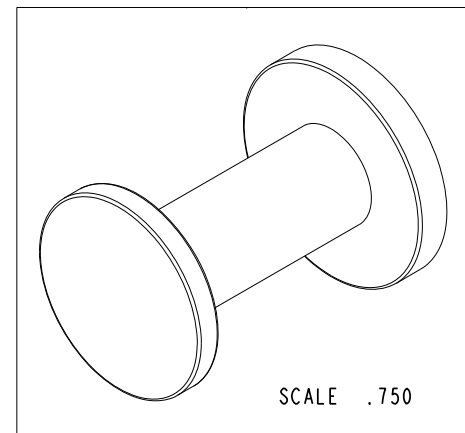
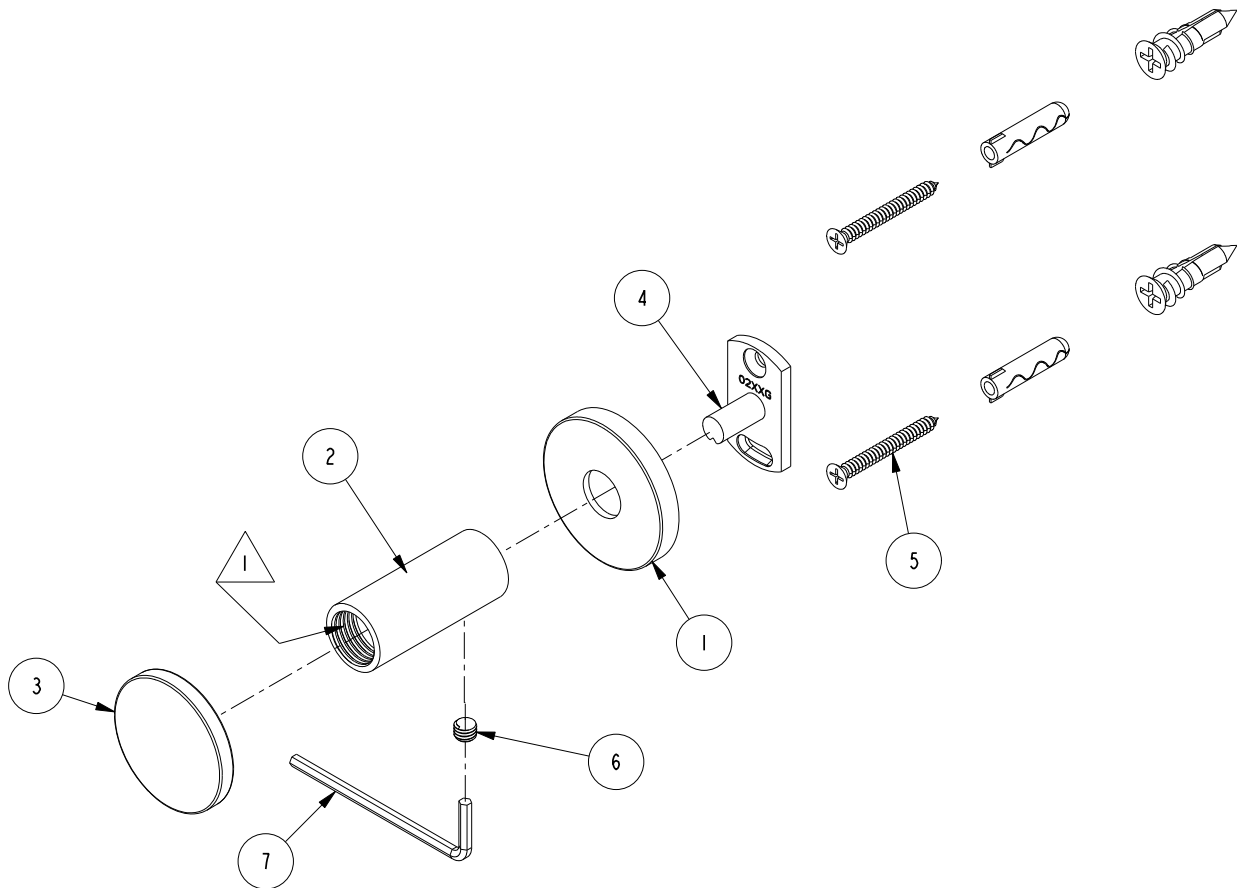
1

NOTES:

- 1 APPLY PERMANENT THREAD LOCKER (LOCTITE 680)
- 2. PLACE ITEMS 4, 5, 6, AND 7 IN SEPARATE BAG

BILL OF MATERIAL (CURRENT LEVEL)

ITEM	PT/ASSY	DESCRIPTION	TYPE	QTY.
1	40458	ROSETTE	PART	1
2	40380	SINGLE ROBE HOOK ARM	PART	1
3	40384	SINGLE ROBE HOOK FINIAL	PART	1
4	02XXG	MOUNTING BRACKET	PART	1
5	1-206	HARDWARE PACK	ASSEMBLY	1
6	92461	SCRW,M6X1X6 CONE POINT SET SS (MMC# 91217A210)	PART	1
7	10615	3MM ALLOY STEEL HEX KEY	PART	1



COPYRIGHT 2005 BRASSTECH, INC. THESE DRAWINGS AND THE DESIGNS DEPICTED HEREIN ARE THE PROPRIETARY PROPERTY OF BRASSTECH. ANY USE OR REPRODUCTION IS SUBJECT TO THE EXPRESS APPROVAL OF BRASSTECH. UNAUTHORIZED USE IS STRICTLY PROHIBITED. ALL RIGHTS RESERVED.

BRASSTECH
INCORPORATED

2001 E. CARNEGIE AVE.
SANTA ANA, CA 92705
(949) 417-5207

SINGLE HOOK ASSEMBLY

ASSY. NO. 36-12		A	EN-1893	11/14/11
SCALE .500	REF. -	-	EN-0995-1	11/10/10
SHEET 1 OF 2		REV	REV DESC	DATE

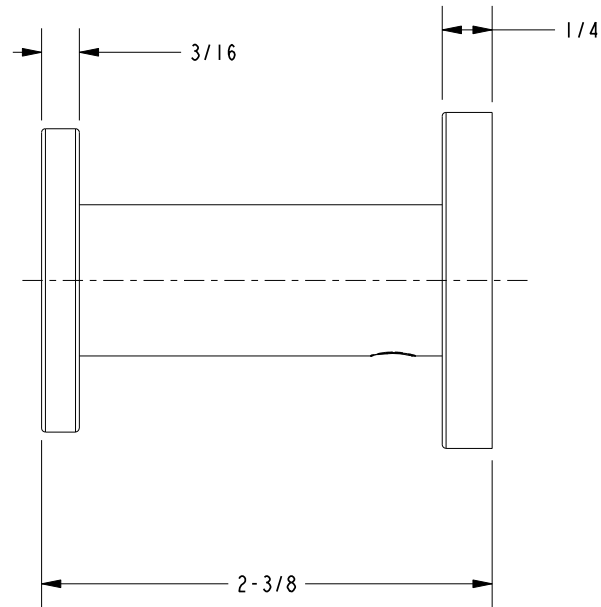
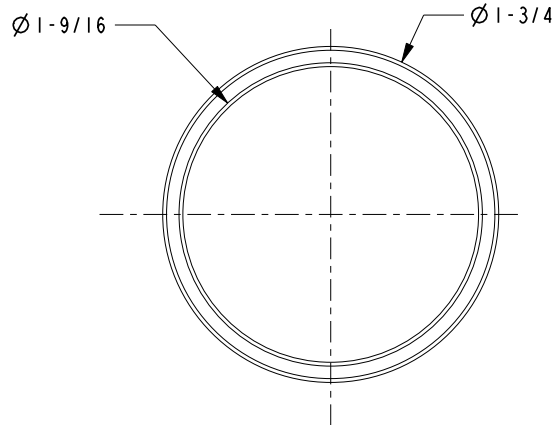
4

3

2

1

SPECIFICATION DWG



DIMENSIONS ARE IN INCHES AND AN APPROXIMATION OF A TYPICAL INSTALLATION

COPYRIGHT 2005 BRASSTECH, INC. THESE DRAWINGS AND THE DESIGNS DEPICTED HEREIN ARE THE PROPRIETARY PROPERTY OF BRASSTECH. ANY USE OR REPRODUCTION IS SUBJECT TO THE EXPRESS APPROVAL OF BRASSTECH. UNAUTHORIZED USE IS STRICTLY PROHIBITED. ALL RIGHTS RESERVED.

BRASSTECH		2001 E. CARNEGIE AVE. SANTA ANA, CA 92705 (949) 417-5207	
DWG NO.	36-12	REV	A
SCALE	1.000	REF.	-
		SHEET	2 OF 2