




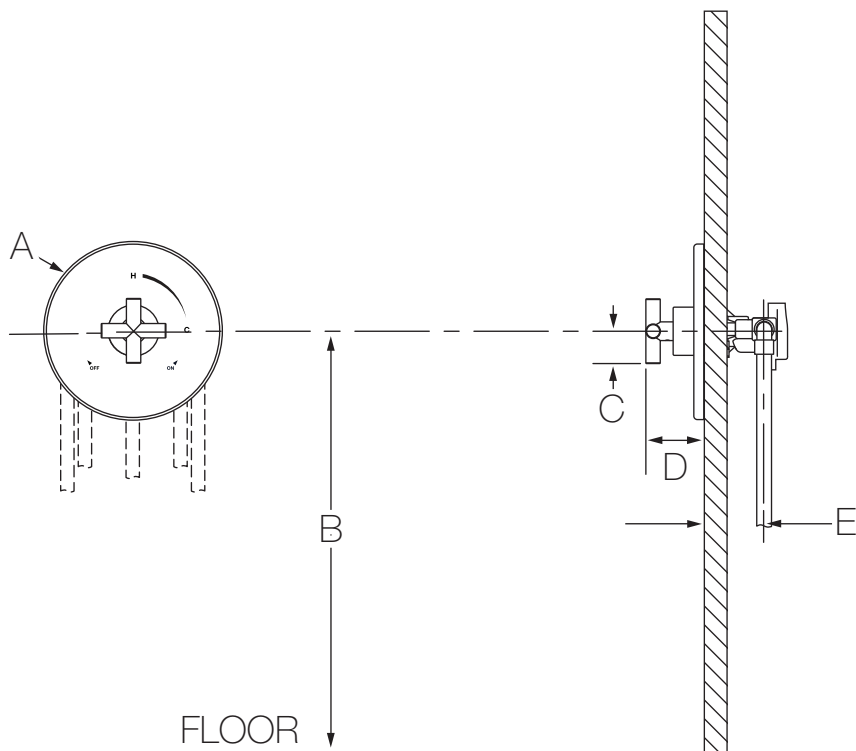
Location:



3530-B  
Valve and Trim  
Specification Submittal

<p><b>Feature Highlights</b></p>	<p><b>Compliance</b></p>
<ul style="list-style-type: none"> <li>• Metal cross handle</li> <li>• Adjustable stop screw to limit handle turn</li> <li>• Plug included to make shower only</li> <li>• Diverter tub spout and showerhead not included</li> <li>• Components shall be metal and nonmetallic construction, plated in standard polished chrome finish</li> </ul>	<p>- ASME A112.18.1/CSA B125.1</p> 
<p><b>Model Numbers</b></p>	<p><b>Warranty</b></p>
<ul style="list-style-type: none"> <li><input type="checkbox"/> <b>3530-B</b> Valve and Trim with Symmons Temptrol® 4-port pressure balancing mixing valve</li> <li><input type="checkbox"/> <b>46-2-BODY</b> Symmons Temptrol 4-port pressure balancing mixing valve</li> <li><input type="checkbox"/> <b>46-2X-BODY</b> Symmons Temptrol 4-port pressure balancing mixing valve with integral service stops</li> </ul>	<p><b>Limited Lifetime</b> - to the original end purchaser in consumer/residential installations.  <b>5 Years</b> - for industrial/commercial installations.  Refer to <a href="http://www.symmons.com/warranty">www.symmons.com/warranty</a> for complete warranty information.</p>
<p><b>Options/Modifications</b></p>	
<ul style="list-style-type: none"> <li><input type="checkbox"/> <b>-Delete Suffix B</b>      <i>Chrome plastic escutcheon on valve with color graphics/indicators</i></li> <li><input type="checkbox"/> <b>-IPS</b>              <i>1/2" female IPS connections</i></li> <li><input type="checkbox"/> <b>-REB</b>              <i>Rebuild trim kit, includes TA-10 and TA-4</i></li> <li><input type="checkbox"/> <b>-REV</b>              <i>Reverse coring, hot on right, cold on left, for back to back installations</i></li> <li><input type="checkbox"/> <b>-TRM</b>              <i>Trim only, valve must be ordered separately</i></li> <li><input type="checkbox"/> <b>-VP</b>                <i>Vandal resistant escutcheon screws in place of standard screws</i></li> <li><input type="checkbox"/> <b>-X</b>                  <i>Integral service stops - allows water shutoff at valve for service</i></li> <li><input type="checkbox"/> <b>-X-CHKS</b>        <i>Integral check stops - for use in installations where a positive shut-off device is used downstream of mixing valve</i></li> <li><input type="checkbox"/> <b>-STN</b>              <i>Satin Nickel finish</i></li> </ul> <p><b>Note:</b> Append appropriate -suffix to model number.</p>	

## Dimensions



Measurements	
A	Ø 7-1/2", 191 mm
B	Ref. 42", 1067 mm
C	1-3/8", 35 mm
D	2-7/8", 73 mm
E	Rough-in 2-3/8" ± 1/2", 60 mm ± 13 mm

### Notes:

- 1) Plaster shield (p/n T-176) for dry wall, plaster or other type walls 1/2" or greater.
- 2) Do not install positive shut-off device/devices that do not allow the valve to flow at least 1.5 gpm to valve outlets.
- 3) All dimensions measured from nominal rough-in (see E as reference).
- 4) Dimensions subject to change without notice.