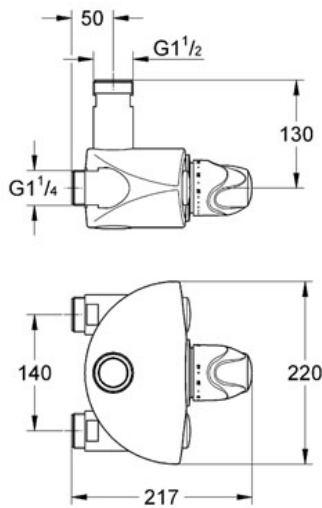


GROHTHERM XL
Thermostatic mixer 1"
MODEL # 35085

Pure Freude an Wasser



GROHE America, Inc | 200 North Gary Avenue, Suite G, Roselle, IL 60172
Phone: +1 (800) 444-7643 | Fax: +1 (800) 225-2778 | us-customerservice@grohe.com



Product Description:
Thermostatic mixer 1"

Standard Specification:

- GROHE StarLight® finish
- Wall mount
- Range of use (2.4 - 37 gpm)
- Wax thermoelement
- Temperature scale handle with pre-adjustable safety stop between 91°F and 110°F
- Process to make the thermal disinfection easier
- Built-in non-return valves with dirt strainers (compact service units)
- 1 1/4" connecting thread
- 1 1/2" outlet thread
- Top/bottom outlet changeable
- Without connection unions
- Min. recommended pressure 15 psi
- Max flow rate 37 gpm at 45 psi

Applicable Codes & Standards:

- Energy Policy Act of 1992
- ASME A112.18.1/CSA B125.1

Color:

- 35085 000 chrome

