




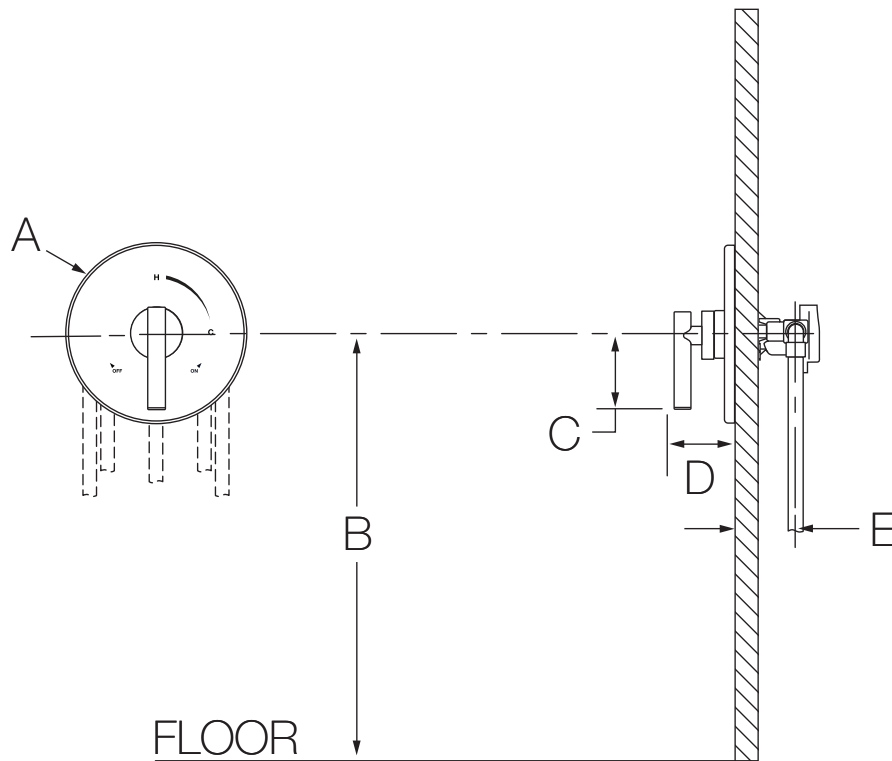
Location:

**3500-CYL-B
Valve and Trim
Specification Submittal**



<p>Feature Highlights</p>	<p>Compliance</p>
<ul style="list-style-type: none"> • Metal lever handle • Adjustable stop screw to limit handle turn • Plug included to make shower only • Diverter tub spout and showerhead not included • Components shall be metal and nonmetallic construction, plated in standard polished chrome finish 	<p>- ASME A112.18.1/CSA B125.1</p> 
<p>Model Numbers</p>	<p>Warranty</p>
<ul style="list-style-type: none"> <input type="checkbox"/> 3500-CYL-B Valve and Trim with Symmons Temptrol® 4-port pressure balancing mixing valve <input type="checkbox"/> 46-2-BODY Symmons Temptrol 4-port pressure balancing mixing valve <input type="checkbox"/> 46-2X-BODY Symmons Temptrol 4-port pressure balancing mixing valve with integral service stops 	<p>Limited Lifetime - to the original end purchaser in consumer/residential installations. 5 Years - for industrial/commercial installations. Refer to www.symmons.com/warranty for complete warranty information.</p>
<p>Options/Modifications</p>	
<ul style="list-style-type: none"> <input type="checkbox"/> Delete Suffix B <i>Chrome only plastic escutcheon on valve with color graphics/indicators</i> <input type="checkbox"/> -IPS <i>1/2" female IPS connections</i> <input type="checkbox"/> -REB <i>Rebuild trim kit, includes TA-10 and TA-4</i> <input type="checkbox"/> -REV <i>Reverse coring, hot on right, cold on left, for back to back installations</i> <input type="checkbox"/> -TRM <i>Trim only, valve must be ordered separately</i> <input type="checkbox"/> -VP <i>Vandal resistant escutcheon screws in place of standard screws</i> <input type="checkbox"/> -X <i>Integral service stops - allows water shutoff at valve for service</i> <input type="checkbox"/> -X-CHKS <i>Integral check stops - for use in installations where a positive shut-off device is used downstream of mixing valve</i> <input type="checkbox"/> -BBZ <i>Brushed Bronze finish (available 2018)</i> <input type="checkbox"/> -MB <i>Matte Black finish (available 2018)</i> <input type="checkbox"/> -STN <i>Satin Nickel finish</i> <p>Note: Append appropriate -suffix to model number.</p>	

Dimensions



Measurements	
A	Ø 7-1/2", 191 mm
B	Ref. 42", 1067 mm
C	3", 76 mm
D	2-7/8", 73 mm
E	Rough-in 2-3/8" ± 1/2", 60 mm ± 13 mm

Notes:

- 1) Plaster shield (p/n T-176) for dry wall, plaster or other type walls 1/2" or greater.
- 2) Do not install positive shut-off device/devices that do not allow the valve to flow at least 1.5 gpm to valve outlets.
- 3) All dimensions measured from nominal rough-in (see E as reference).
- 4) Dimensions subject to change without notice.