

**AXOR Citterio M**  
**Axor Citterio M Pressure Balance Trim**  
Surfaces: **Brushed Nickel** Article Number: **34808821**



## Description

### product features

- flow rate at 3 bar: 20.6 l/min
- pressure control and volume control in one unit
- bypass for use with diverter-type tub spouts
- temperature limitation adjustable
- temperature and volume control for 1 outlet
- suitable for continuous flow water heaters

## Product image

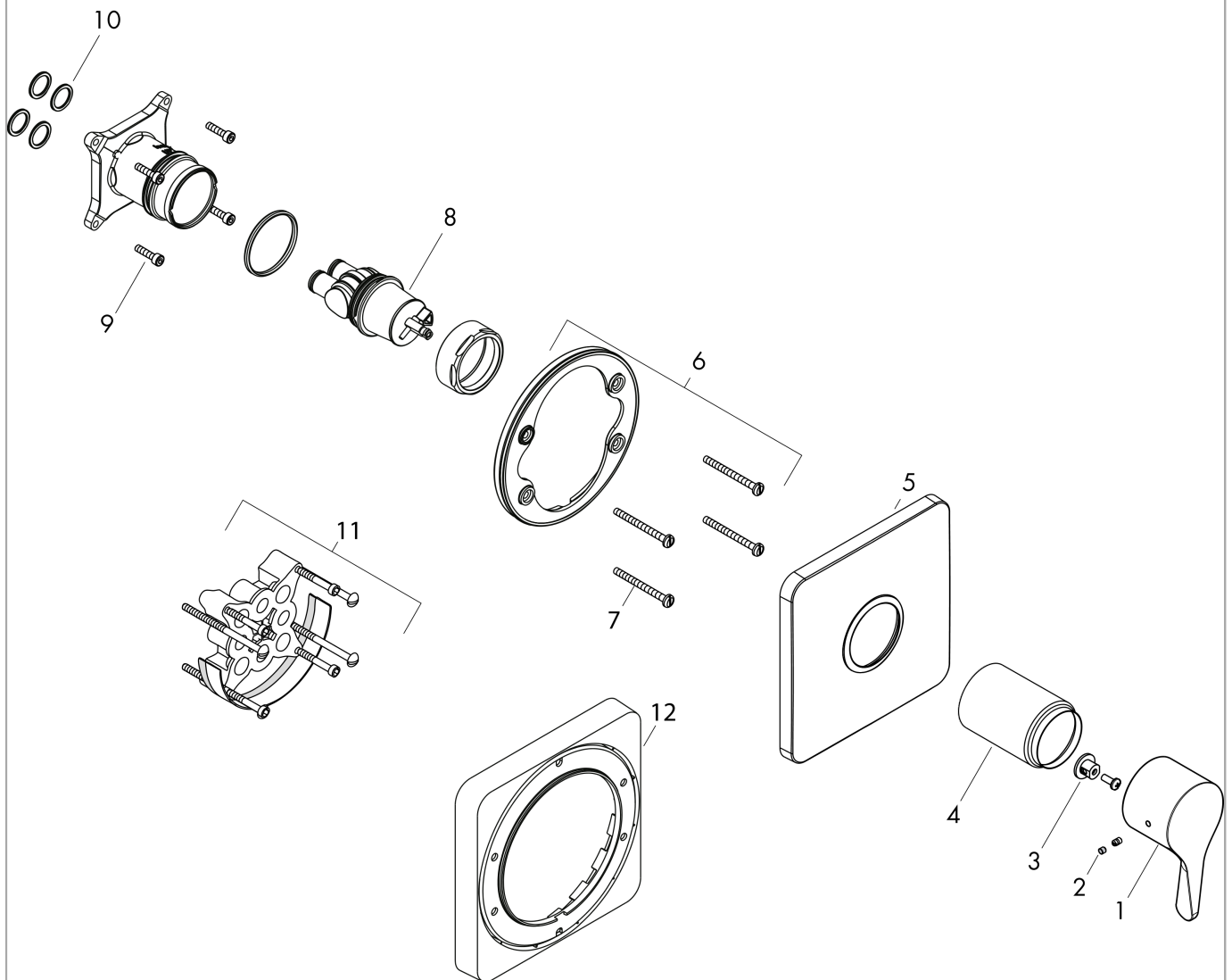


**AXOR Citterio M**  
**Axor Citterio M Pressure Balance Trim**  
Surfaces: **Brushed Nickel** Article Number: **34808821**



## Exploded Drawing

Year of production: >06/09



**AXOR Citterio M**  
**Axor Citterio M Pressure Balance Trim**  
 Surfaces: **Brushed Nickel** Article Number: **34808821**



## Spare part list

Year of production: >06/09

Pos.	Description	Article Number	PC	PU
1	handle	88783820	0	1
2	screw cover	95181000	0	1
3	adapter for handle	92756000	0	1
4	sleeve	88765820	0	1
5	escutcheon	88780820	0	1
6	set of fixing screws	96454000	0	1
7	holder for escutcheon	98793000	0	1
8	cartridge, assy	88727000	0	1
9	set of screws	96525000	0	1
10	O-ring 16x2	98133000	0	1
11	extension 25 mm	13595000	0	1
12	extension 22 mm	98860820	0	1
a	base body	01850181	0	1