

**AXOR Citterio M**  
**Axor Citterio M Pressure Balance Trim**  
Surfaces: **Chrome** Article Number: **34808001**



## Description

### product features

- flow rate at 3 bar: 20.6 l/min
- pressure control and volume control in one unit
- bypass for use with diverter-type tub spouts
- temperature limitation adjustable
- temperature and volume control for 1 outlet
- suitable for continuous flow water heaters

## Product image

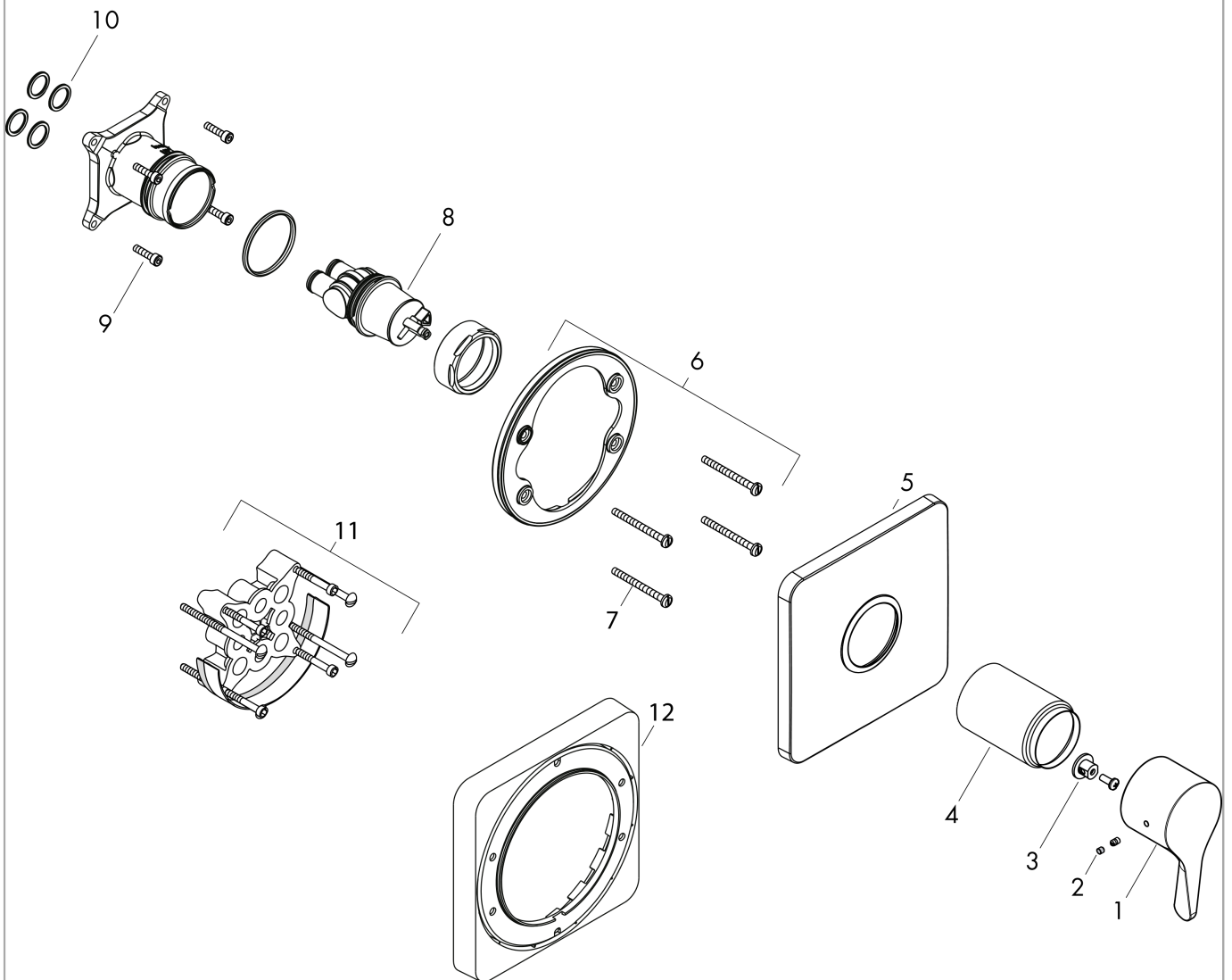


**AXOR Citterio M**  
**Axor Citterio M Pressure Balance Trim**  
Surfaces: **Chrome** Article Number: **34808001**



## Exploded Drawing

Year of production: >06/09



**AXOR Citterio M**  
**Axor Citterio M Pressure Balance Trim**  
 Surfaces: **Chrome** Article Number: **34808001**



## Spare part list

Year of production: >06/09

| Pos. | Description           | Article Number | PC | PU |
|------|-----------------------|----------------|----|----|
| 1    | handle                | 88783000       | 0  | 1  |
| 2    | screw cover           | 95181000       | 0  | 1  |
| 3    | adapter for handle    | 92756000       | 0  | 1  |
| 4    | sleeve                | 88765000       | 0  | 1  |
| 5    | escutcheon            | 88780000       | 0  | 1  |
| 6    | holder for escutcheon | 98793000       | 0  | 1  |
| 7    | set of fixing screws  | 96454000       | 0  | 1  |
| 8    | cartridge, assy       | 88727000       | 0  | 1  |
| 9    | set of screws         | 96525000       | 0  | 1  |
| 10   | O-ring 16x2           | 98133000       | 0  | 1  |
| 11   | extension 25 mm       | 13595000       | 0  | 1  |
| 12   | extension 22 mm       | 98860000       | 0  | 1  |
| a    | base body             | 01850181       | 0  | 1  |