

CRYST RAMA



1958

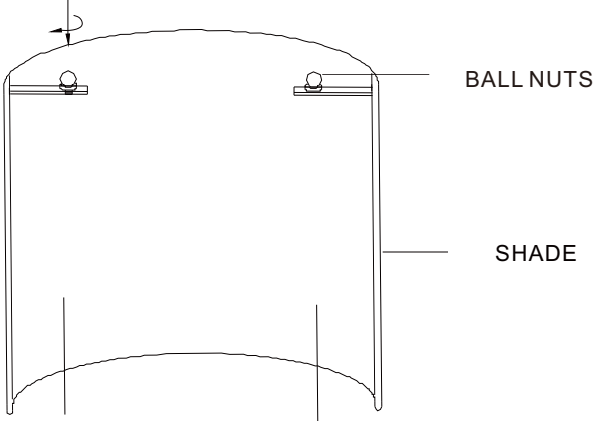
95 Cantiague Rock Road, Westbury NY 11590
 ph: 516.931.9090 fax: 516.931.1254
 info@crystorama.com . www.crystorama.com

MODEL#: 341-GA ASSEMBLY AND DRESSING INSTRUCTIONS

WARNING:

Electrical Danger Turn Power off

All electrical components must be installed by a licensed electrician in accordance with the National Electric Code and the appropriate local electrical codes.



You will need 2 Cand. Bulb
 40 Watts Recommended
 60 Watts Max
 Bulb not included.

