

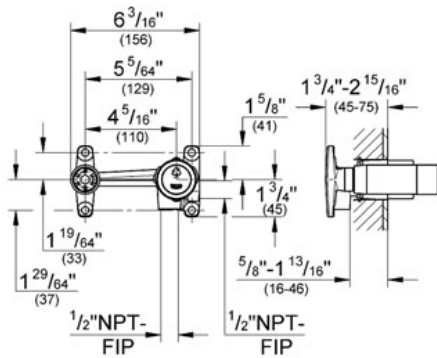
# Lavatory Centerset

MODEL # 32641

Pure Freude an Wasser



GROHE America, Inc | 200 North Gary Avenue, Suite G, Roselle, IL 60172  
 Phone: +1 (800) 444-7643 | Fax: +1 (800) 225-2778 | us-customerservice@grohe.com



## Product Description: Lavatory Centerset

### Standard Specification:

- GROHE SilkMove® ceramic cartridge
- For 2-hole basin mixers
- Wall installation
- Without finishing trim set
- Installation depth (1 3/4" - 3")
- 1/2" NPT Female Threads
- Adjustable flow rate limiter
- Installation device
- Max Flow Rate 2.2 gpm at 60 psi (8.3 L/min), 2.5 gpm at 80 psi (9.5 L/min)

### Applicable Codes & Standards:

- Energy Policy Act of 1992
- NSF 61
- ASME A112.18.1/CSA B125.1
- US Federal and State material regulations

### Color:

□ 32641 000

