

Metropol

Single-Hole Faucet 110 Select, 1.2 GPM

Finishes : **brushed nickel** Part no. : **32571821**



Description

Features

- Aerated spray
- Flow: 1.2 GPM (4.5 L/Min)
- Select cartridge for easy, intuitive operation: Push handle to turn water on and off, and turn to adjust temperature

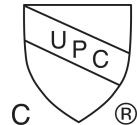
Item details

List Price

Technology



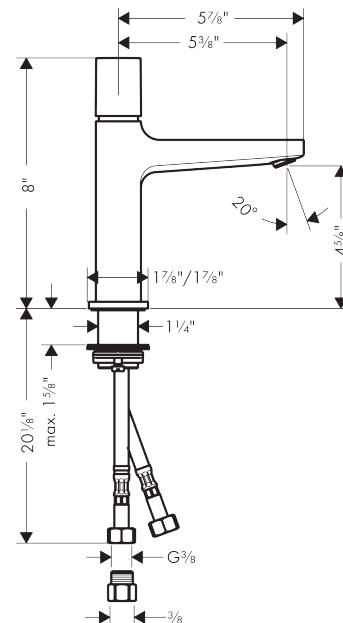
Compliance



Product image



Scale drawing



Metropol

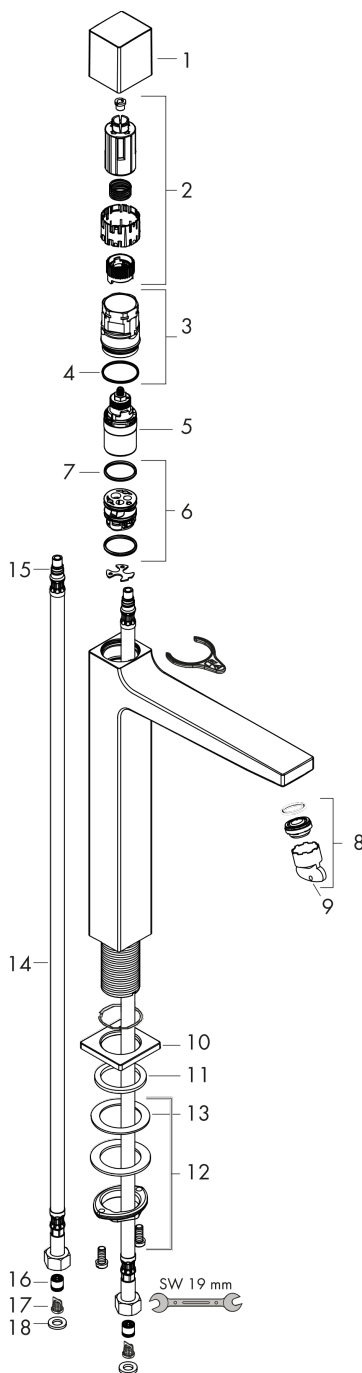
Single-Hole Faucet 110 Select, 1.2 GPM

Finishes : brushed nickel Part no. : 32571821



Exploded drawing

Year of production: >01/18



Metropol

Single-Hole Faucet 110 Select, 1.2 GPM

Finishes : **brushed nickel** Part no. : **32571821**



Spare parts list

Year of production: >01/18

| Pos. | Description | Part no. | Price | PU |
|------|-------------------------------------|----------|-------|----|
| 1 | handle | 93070820 | - | 1 |
| 2 | adapter for handle | 92526000 | - | 1 |
| 3 | nut | 92528000 | - | 1 |
| 4 | O-ring 27x1,5 | 92527000 | - | 1 |
| 5 | cartridge, assy | 92529000 | - | 1 |
| 6 | adapter for cartridge | 98866000 | - | 1 |
| 7 | O-ring 23x2 | 98398000 | - | 1 |
| 8 | aerator M24x1 (4,5 l/min) | 93202000 | - | 1 |
| 9 | service tool | 95661000 | - | 1 |
| 10 | escutcheon | 93048820 | - | 1 |
| 11 | flat seal | 98749000 | - | 1 |
| 12 | fixing set (Ø 32) | 13961000 | - | 1 |
| 13 | lever collar | 97548000 | - | 1 |
| 14 | connection hose 600 mm M8x0,75 G3/8 | 92629000 | - | 1 |
| 15 | O-ring 7x1,5 | 98422000 | - | 1 |
| 16 | non return valve DW 10 | 96456000 | - | 1 |
| 17 | filter | 92532000 | - | 1 |
| 18 | sealing set | 92533000 | - | 1 |
| a | adapter for connection hose | 88802000 | - | 1 |