

**Metropol**  
**Widespread Faucet 160 with Lever Handles, 1.2 GPM**  
 Finishes : **chrome**    Part no. : **32519001**



## Description

### Features

- Aerated spray
- Flow: 1.2 GPM (4.5 L/Min)
- 90° ceramic valves

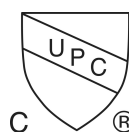
## Item details

List Price

## Technology



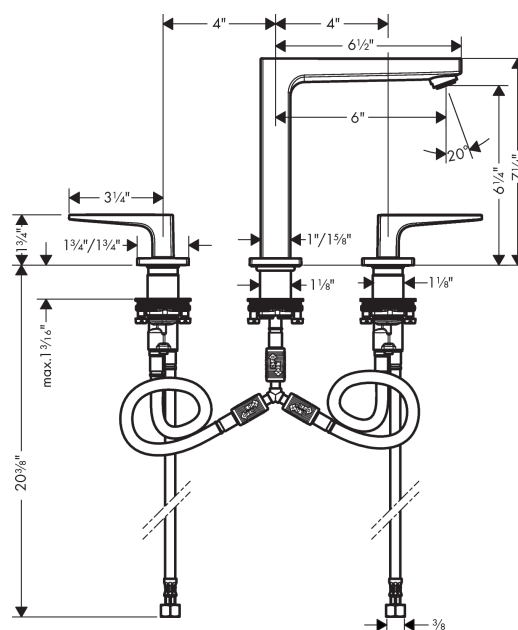
## Compliance



## Product image



## Scale drawing

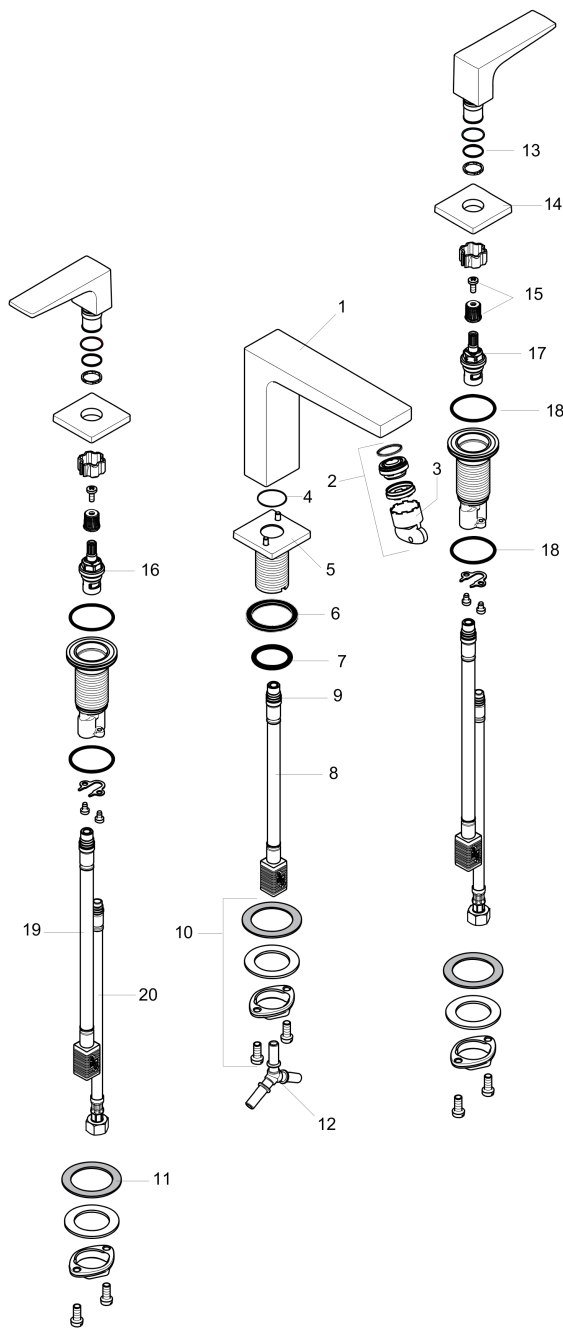


**Metropol**  
**Widespread Faucet 160 with Lever Handles, 1.2 GPM**  
Finishes : **chrome**    Part no. : **32519001**



## Exploded drawing

Year of production: >01/18



## Metropol

**Widespread Faucet 160 with Lever Handles, 1.2 GPM**

Finishes : **chrome** Part no. : **32519001**



### Spare parts list

Year of production: >01/18

Pos.	Description	Part no.	Price	PU
1	spout 160 mm	93158000	-	1
2	aerator M24x1 (4,5 l/min)	93202000	-	1
3	service tool	95661000	-	1
4	O-ring 21x1,5	98219000	-	1
5	escutcheon for spout	92906000	-	1
6	flat seal	98749000	-	1
7	O-ring 26x4	92191000	-	1
8	connection hose 200 mm M10x1	92913000	-	1
9	O-ring 8x1,75	97827000	-	1
10	fixing set (Ø 28)	92909000	-	1
11	lever collar	97548000	-	1
12	hose connection angel	92905000	-	1
13	O-Ring 14x1,5	98201000	-	1
14	escutcheon	92915000	-	1
15	handle fixing set	98932000	-	1
16	shut off unit right closing	98817001	-	1
17	shut off unit left closing	95366001	-	1
18	O-ring 33x2,5	92907000	-	1
19	connection hose 400 mm M10x1	92914000	-	1
20	connection hose 18½" M8x0,75 3/8"	96321001	-	1
a	handle for hot water	92916000	-	1
b	handle for cold water	92917000	-	1