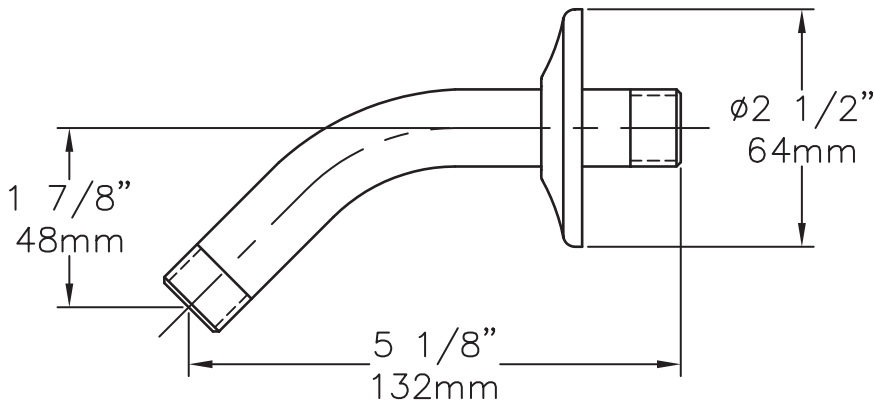
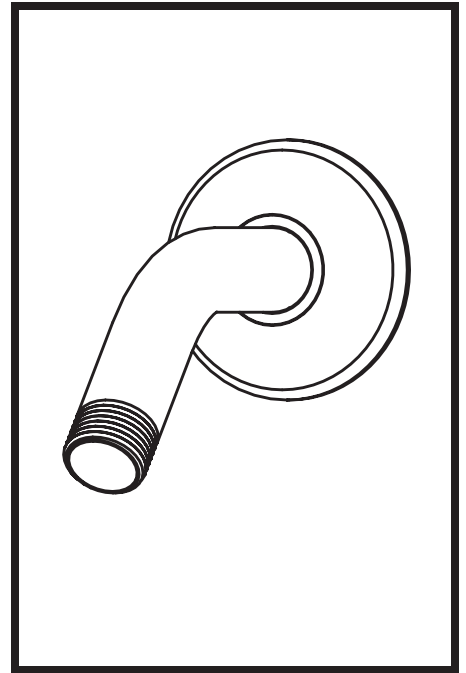


# 300S Shower Arm

Symmons short shower arm with stamped flange.



**Job/Location**

.....  
.....

**Engineer**

.....  
.....

**Contractor**

.....  
.....

Symmons Industries, Inc. ■ 31 Brooks Drive ■ Braintree, MA 02184  
(800) 796-6667, (781) 848-2250 ■ Fax (800) 961-9621, (781) 843-3849  
Website: [www.symmons.com](http://www.symmons.com) ■ Email: [customerservice@symmons.com](mailto:customerservice@symmons.com)

©2003, 2008 Symmons Industries, Inc. Printed in U.S.A. ■ 042808

  
**SYMMONS**<sup>®</sup>  
the smart choice™