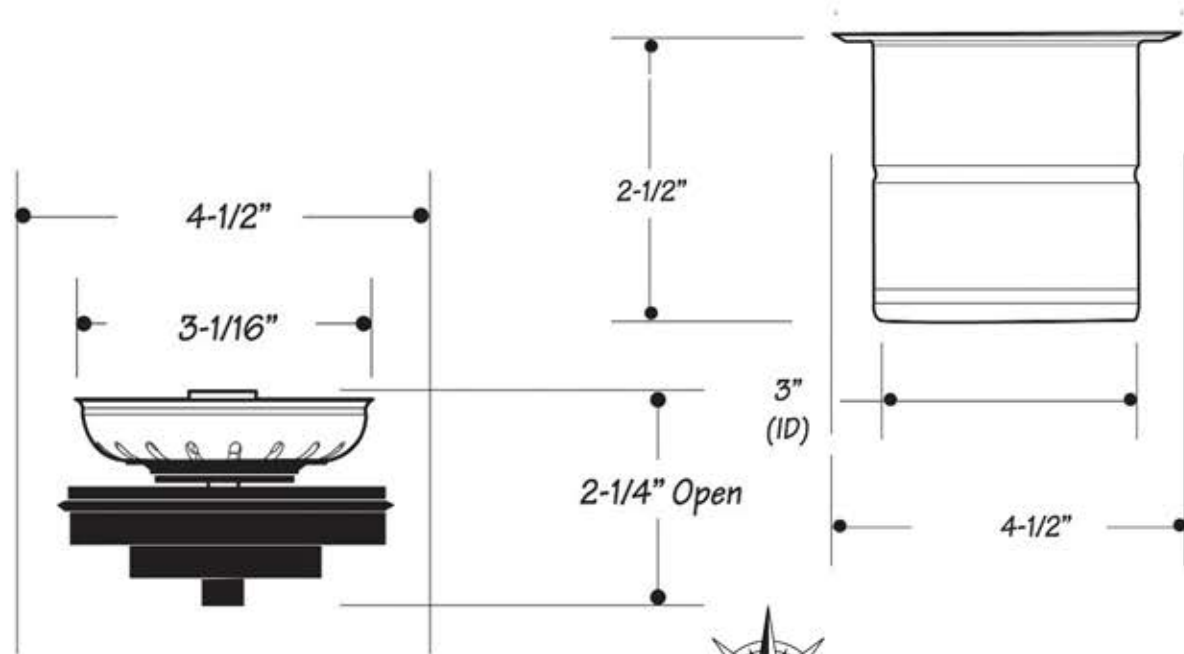


Accessories Collection

Flip Drain with strainer and 'crumb cup' lid



MODEL:
3.5EDF-BRS, 3.5EDF-ORB



FEATURES

- Spring Loaded center post for smooth strainer operation
- For ISE type units with 3-3/8" I.D. (installation required)
- This collar is for thicker fireclay sink applications
- Extended Flange
- Available in Brushed Stainless and Oil Rubbed Bronze



PROJECT/ NAME:

ARCHITECT/CONTRACTOR:

MODEL:

JOB NOTES: