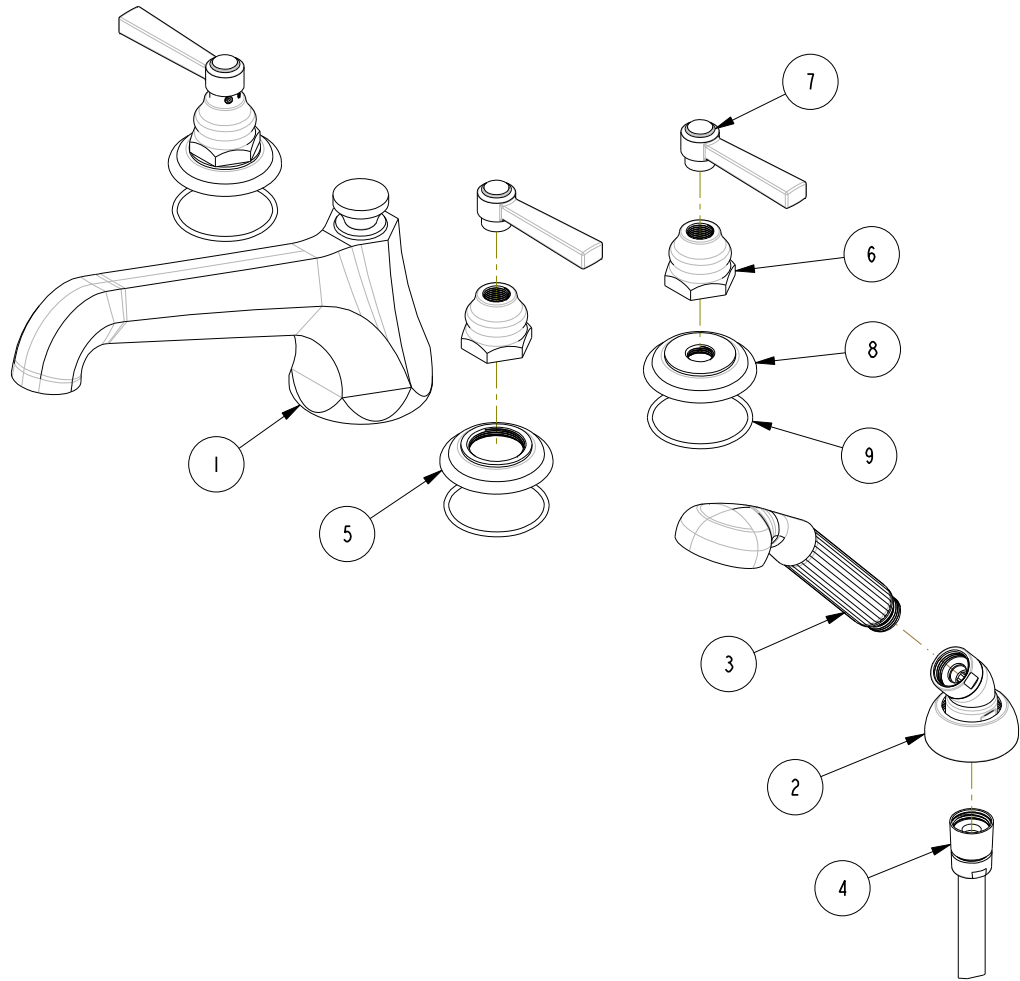


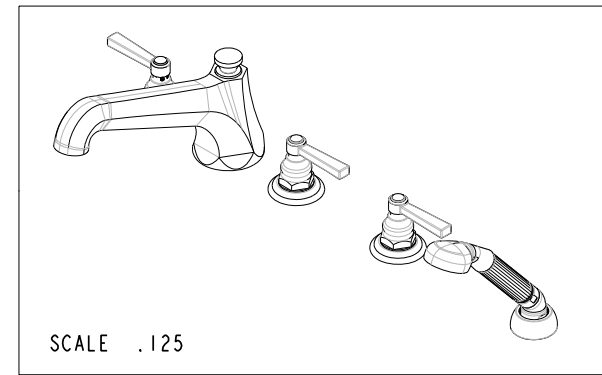
NOTES:

(NI) 1. FIT / FORM / FUNCTION SHALL FOLLOW PS-E.008.



BILL OF MATERIAL (CURRENT LEVEL)

ITEM	PT/ASSY	DESCRIPTION	TYPE	QTY.
1	2-162	R/T SPOUT ASM	ASSEMBLY	1
2	6-289	DECK FLANGE TRIM	ASSEMBLY	1
3	280	HAND SHOWER WITH GROOVE	ASSEMBLY	1
4	284	59 IN. SPIRAL SHOWER HOSE	ASSEMBLY	1
5	12171	ESCUTCHEON, ROMAN TUB	PART	2
6	10523	HEX ESCUTCHEON BONNET	PART	3
7	2-436	LEVER HANDLE ASM	ASSEMBLY	3
8	10050	ESCUTCHEON WALL VALVE	PART	1
9	91231	O-RING, #2-136, EPDM, 65-75 DURO	PART	3



ZONE	REV	DESCRIPTION	DATE	APPROVED	
-	B	EN-2519c	02/17/16	AN	COPYRIGHT 2005 BRASSTECH, INC. THESE DRAWINGS AND THE DESIGNS DEPICTED HEREIN ARE THE PROPRIETARY PROPERTY OF BRASSTECH. ANY USE OR REPRODUCTION IS SUBJECT TO THE EXPRESS APPROVAL OF BRASSTECH. UNAUTHORIZED USE IS STRICTLY PROHIBITED. ALL RIGHTS RESERVED.
-	A	EN-2621b	02/28/14	JM	
-	-	EN-2621	11/21/13	JM	

TESTING	ASSEMBLY	PLATING	POLISHING	MACHINING	TOOLING FIXTURE #	APPLICATION
-	-	-	-	-		REMOVE ALL BURRS AND SHARP EDGES

UNITS ARE: INCHES [MM]	
TOLERANCES ARE:	
FRACTIONS DECIMALS	ANGLES
±1/16"	±1°
.X ±.1 (2,5)	
.XX ±.06 (1,5)	
(X.XXX) DENOTES CRITICAL DIMS.	
ALL THREADS ARE CRITICAL	
DRAWN	AN 02/17/16
CHECKED	AN 02/17/16
APPROVED	AN 02/17/16

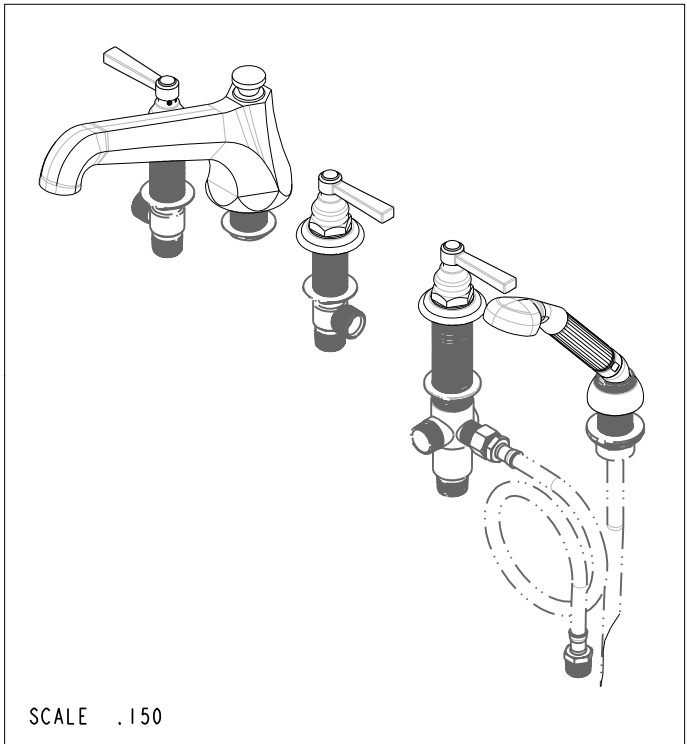
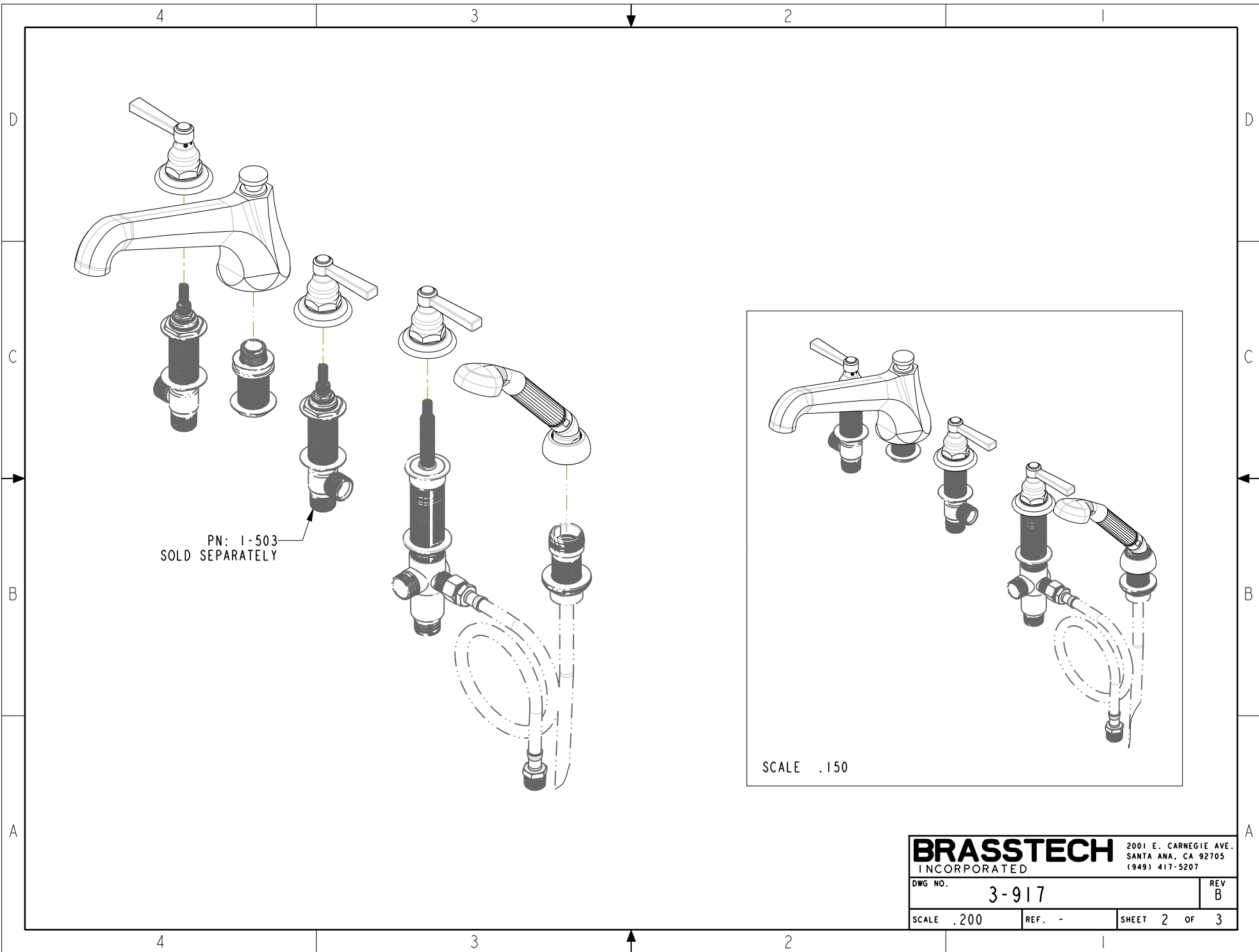
BRASSTECH 2001 CARNEGIE AVE.
SANTA ANA, CA 92705
(949) 417-5207

INCORPORATED

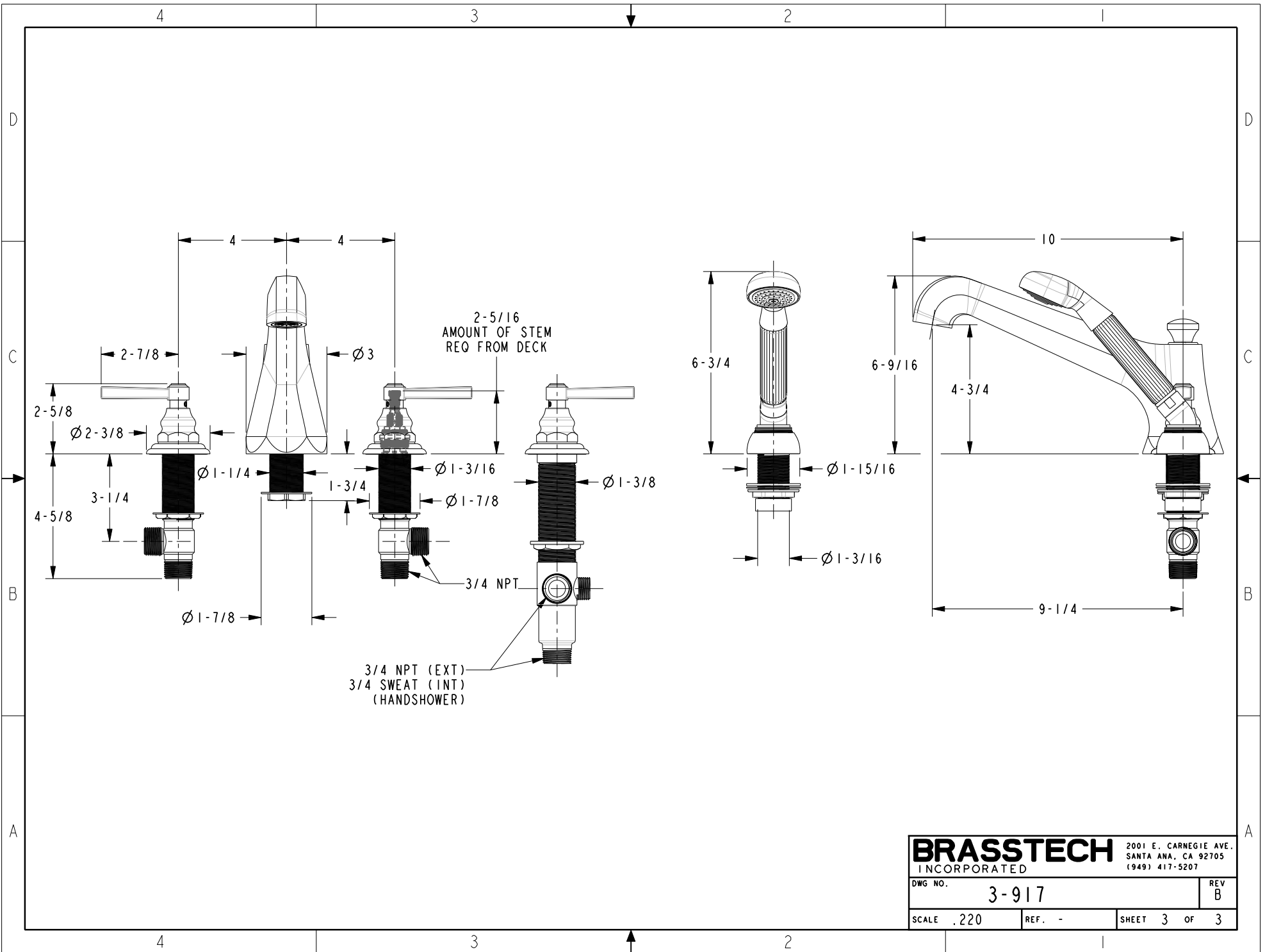
ROMAN TUB SET W/ HANDSHOWER

DWG NO. **3-917** REV B

SCALE .250 REF. - SHEET 1 OF 3



BRASSTECH		2001 E. CARNEGIE AVE. SANTA ANA, CA 92705 (949) 417-5207	
DWG NO.	3-917	REV	B
SCALE .200	REF. -	SHEET 2	OF 3



BRASSTECH		2001 E. CARNEGIE AVE. SANTA ANA, CA 92705 (949) 417-5207	
DWG NO.	3-917	REV	B
SCALE	.220	REF.	-
SHEET 3		OF 3	