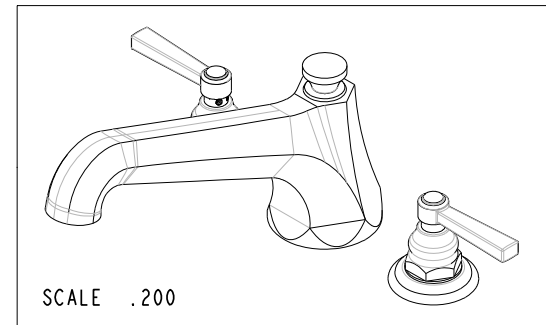
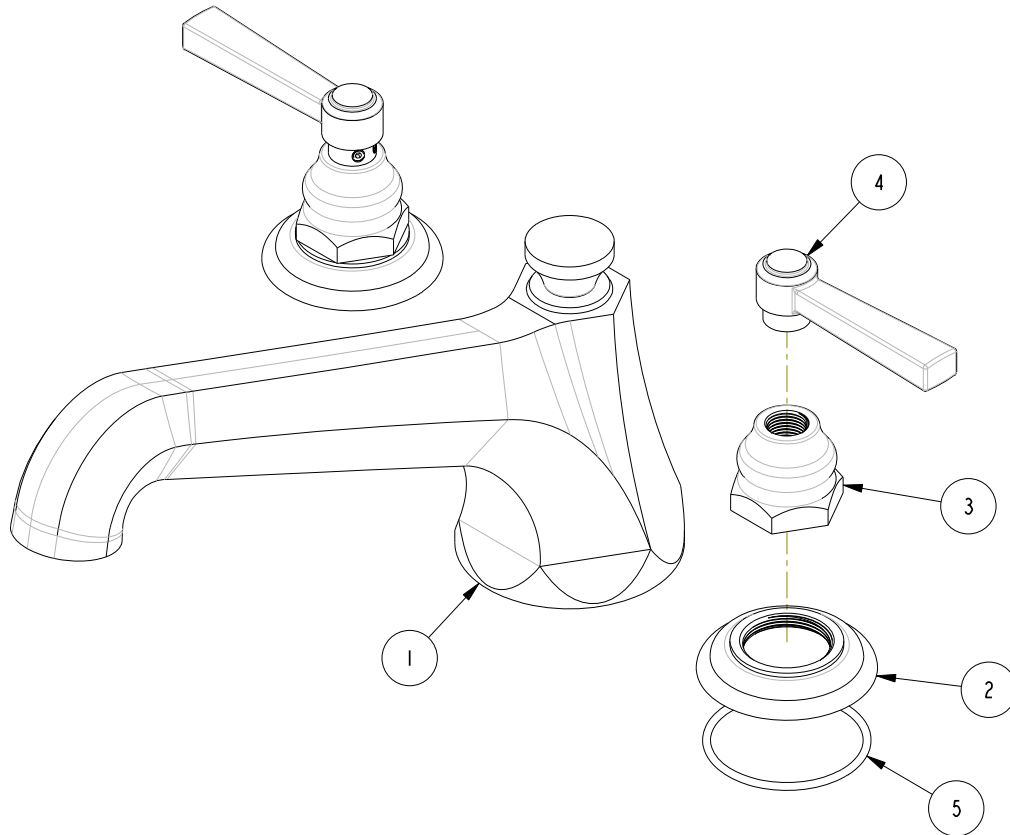


NOTES:

(N1) 1. FIT / FORM / FUNCTION SHALL FOLLOW PS-E.008.

**BILL OF MATERIAL (CURRENT LEVEL)**

ITEM	PT/ASSY	DESCRIPTION	TYPE	QTY.
1	2-162	R/T SPOUT ASM	ASSEMBLY	1
2	12171	ESCUTCHEON, ROMAN TUB	PART	2
3	10523	HEX ESCUTCHEON BONNET	PART	2
4	2-436	LEVER HANDLE ASM	ASSEMBLY	2
5	91231	O-RING, #2-136, EPDM, 65-75 DURO	PART	2



ZONE	REV	DESCRIPTION	DATE	APPROVED
-	B	EN-2519c	02/17/16	AN
-	A	EN-2621b	02/28/14	JM
-	-	EN-2621	11/21/13	JM

COPYRIGHT 2005 BRASSTECH, INC. THESE DRAWINGS AND THE DESIGNS DEPICTED HEREIN ARE THE PROPRIETARY PROPERTY OF BRASSTECH. ANY USE OR REPRODUCTION IS SUBJECT TO THE EXPRESS APPROVAL OF BRASSTECH. UNAUTHORIZED USE IS STRICTLY PROHIBITED. ALL RIGHTS RESERVED.

TESTING	-	-	-
ASSEMBLY	-	-	-
PLATING	-	-	-
POLISHING	-	NEXT ASSY	USED ON
MACHINING	-	APPLICATION	
TOOLING FIXTURE #	REMOVE ALL BURRS AND SHARP EDGES		

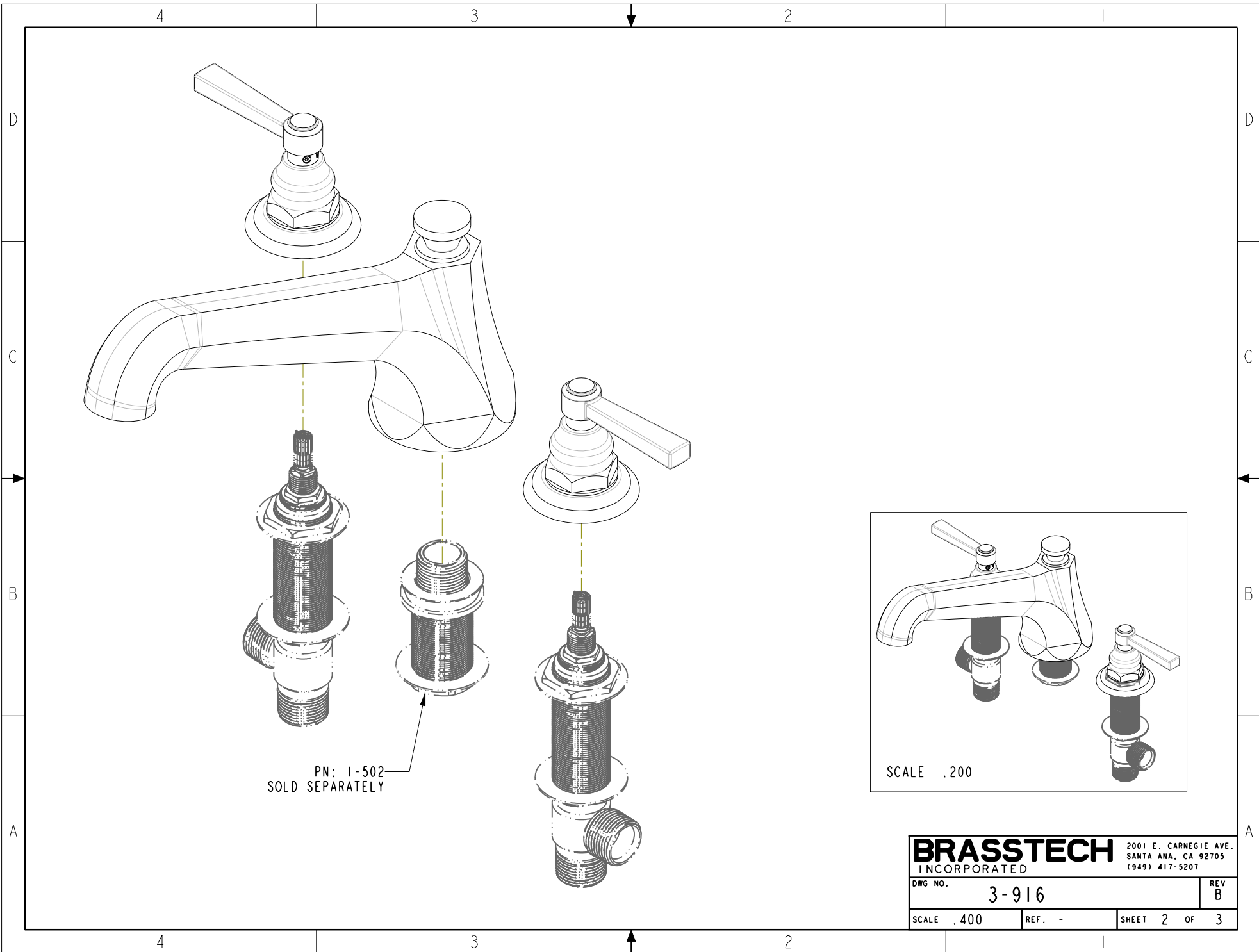
UNITS ARE: INCHES [MM]	
TOLERANCES ARE:	
FRACTIONS DECIMALS	ANGLES
±1/16"	±1°
.X ±.1 (2.5)	
.XX ±.06 (1.5)	
(X.XXX) DENOTES CRITICAL DIMS.	
ALL THREADS ARE CRITICAL	
DRAWN	AN 02/17/16
CHECKED	AN 02/17/16
APPROVED	AN 02/17/16

**BRASSTECH** 2001 CARNEGIE AVE.  
INCORPORATED SANTA ANA, CA 92705  
(949) 417-5207

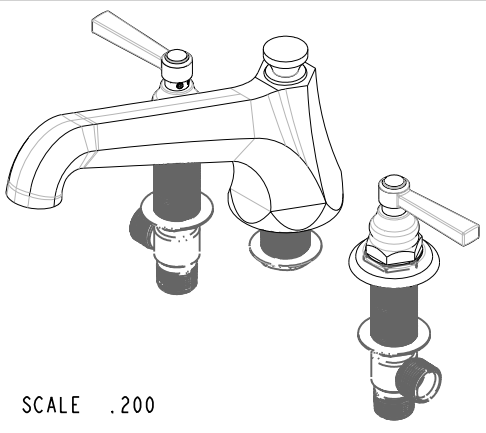
**ROMAN TUB FAUCET**

DWG NO. **3-916** REV **B**

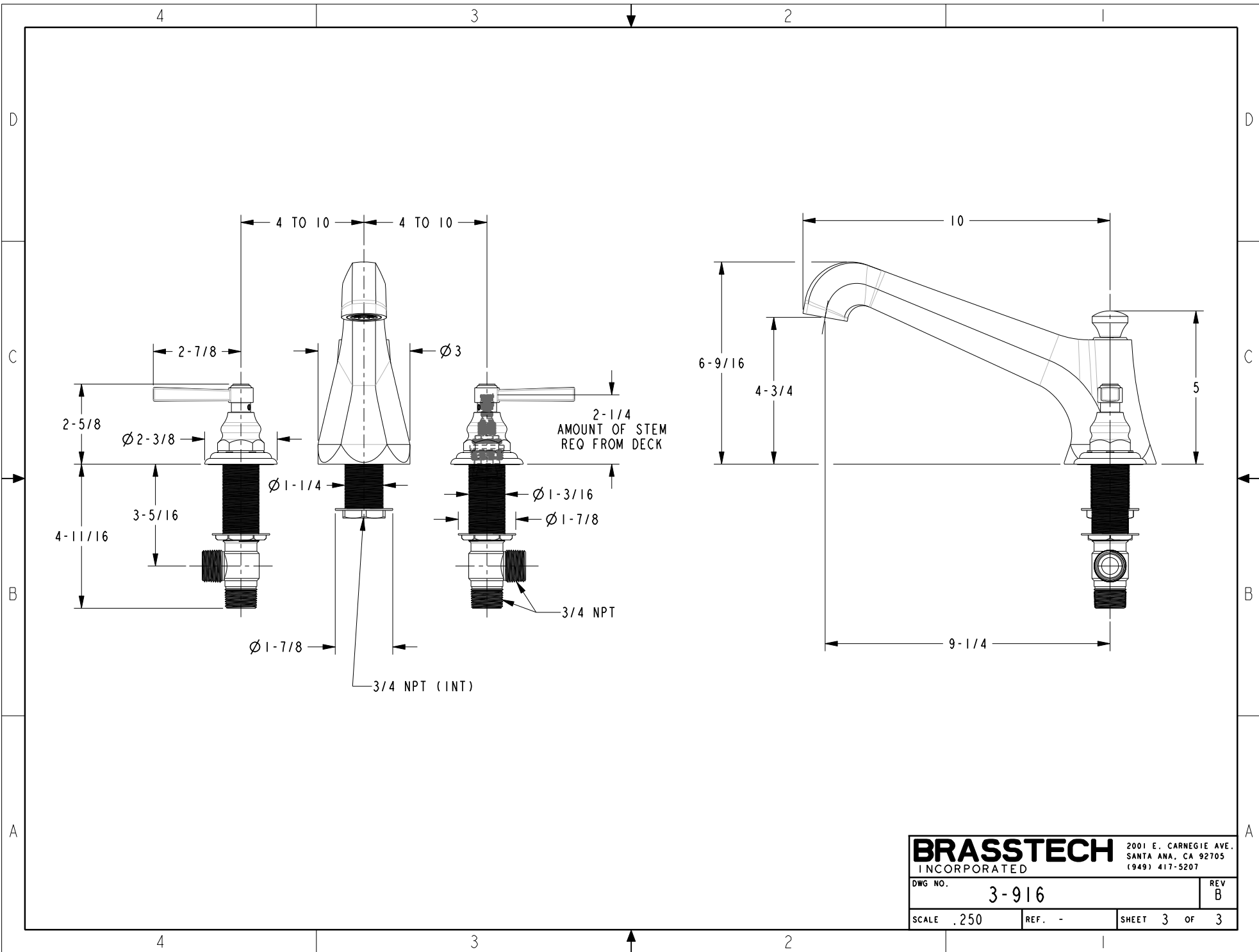
SCALE .400 REF. - SHEET 1 OF 3



PN: 1-502  
SOLD SEPARATELY



<b>BRASSTECH</b>		2001 E. CARNEGIE AVE. SANTA ANA, CA 92705 (949) 417-5207	
DWG NO.	3-916	REV	B
SCALE .400	REF. -	SHEET 2	OF 3



<b>BRASSTECH</b>		2001 E. CARNEGIE AVE. SANTA ANA, CA 92705 (949) 417-5207	
DWG NO.	3-916		REV B
SCALE .250	REF. -	SHEET 3 OF 3	