

HELIO Outdoor
3-744-15

oxygen

FIXTURE TYPE _____

LOCATION _____

PROJECT _____

DATE _____



-15 Black

LIGHT SOURCE 1 x 12W LED with Driver on board, 3000K, CRI 90

LUMINAIRE POWER 12.5W at 120V

RATED LIFE 50000 hr RL

OPTIONAL COLOR TEMPERATURES 3000K Only

LUMEN OUTPUT Delivered: 322 lm (LM-79)

INPUT VOLTAGE 120V AC, 50/60Hz

DRIVER OUTPUT N/A

DIMMING TRIAC Dimming

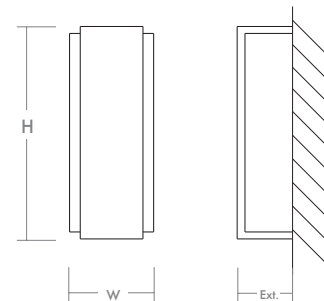
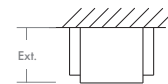
CONSTRUCTION Cast Aluminum Housing

DIFFUSER - Clear Glass with Painted White Interior

FINISHES Black (-15)

MOUNTING 4" Octagonal J-Box
(Installer must provide a bead of caulk between fixture housing and mounting surface)

STANDARDS ETL Wet listed, ADA Compliant, Conforms to UL STD 1598, Certified CAN/CSA STD C22.2 No 250.0.



DIMENSIONS

W: 4.75"

H: 12.00"

Ext: 3.00"

M.C: 6.00" From top of fixture

Order example for standard fixture:

3-744-15 (x- Voltage - xxx-Sequence # - xx-Finish)

3: 120V Only

