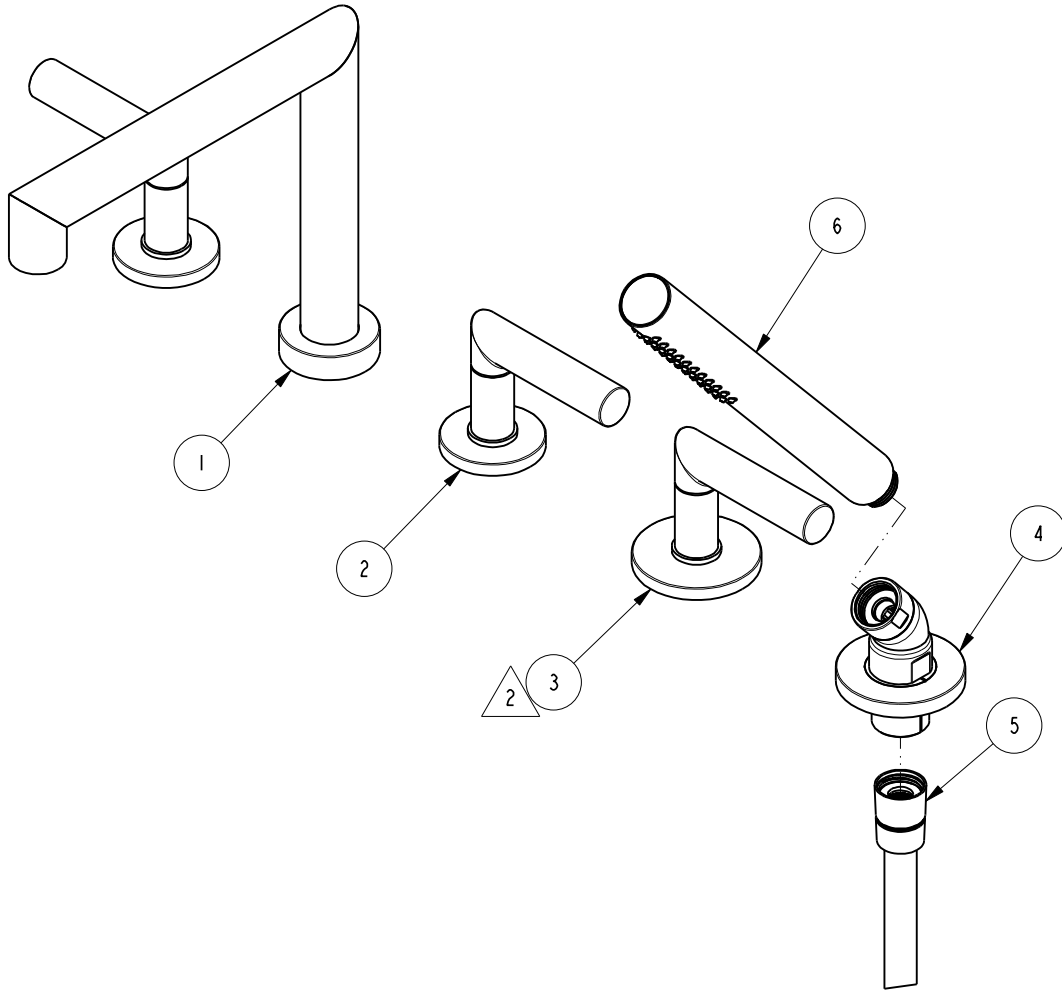


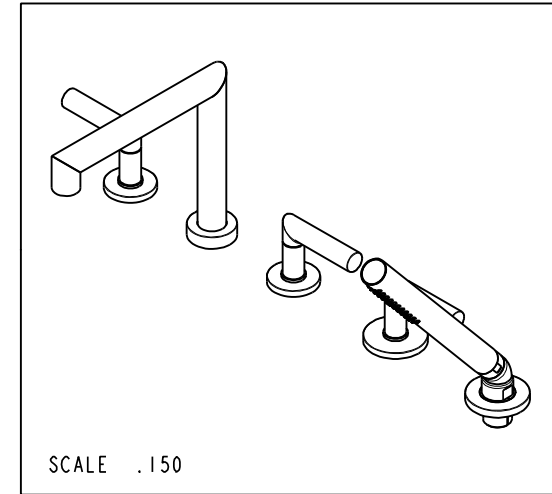
NOTES:

- 1. FIT / FORM / FUNCTION SHALL FOLLOW PS-E.008.
- 2. BAG AND LABEL: "3-576 DIVERTER HANDLE".



BILL OF MATERIAL (CURRENT LEVEL)

ITEM	PT/ASSY	DESCRIPTION	TYPE	QTY.
1	3-403	RT MITER SPOUT ASSY	ASSEMBLY	1
2	3-549	HANDLE/ ESC ASM	ASSEMBLY	2
3	3-576	HANDLE/ ESC ASM, DIVERTER	ASSEMBLY	1
4	6-289-7	HANDSHOWER-ESC ASM	ASSEMBLY	1
5	284	59 IN. SPIRAL SHOWER HOSE	ASSEMBLY	1
6	283-101	ROUND WAND HANDSHOWER	ASSEMBLY	1



SCALE .150

UNITS ARE: INCHES [MM]
 TOLERANCES ARE:
 FRACTIONS DECIMALS ANGLES
 $\pm 1/16"$ $.X \pm .1$ [2,5] $\pm 1"$
 $.XX \pm .06$ [1,5]
 (X.XXX) DENOTES CRITICAL DIMS.
 ALL THREADS ARE CRITICAL

BRASSTECH 2001 CARNEGIE AVE.
 INCORPORATED SANTA ANA, CA 92705
 (949) 417-5207

ROMAN TUB FAUCET W/
 HANDSHOWER

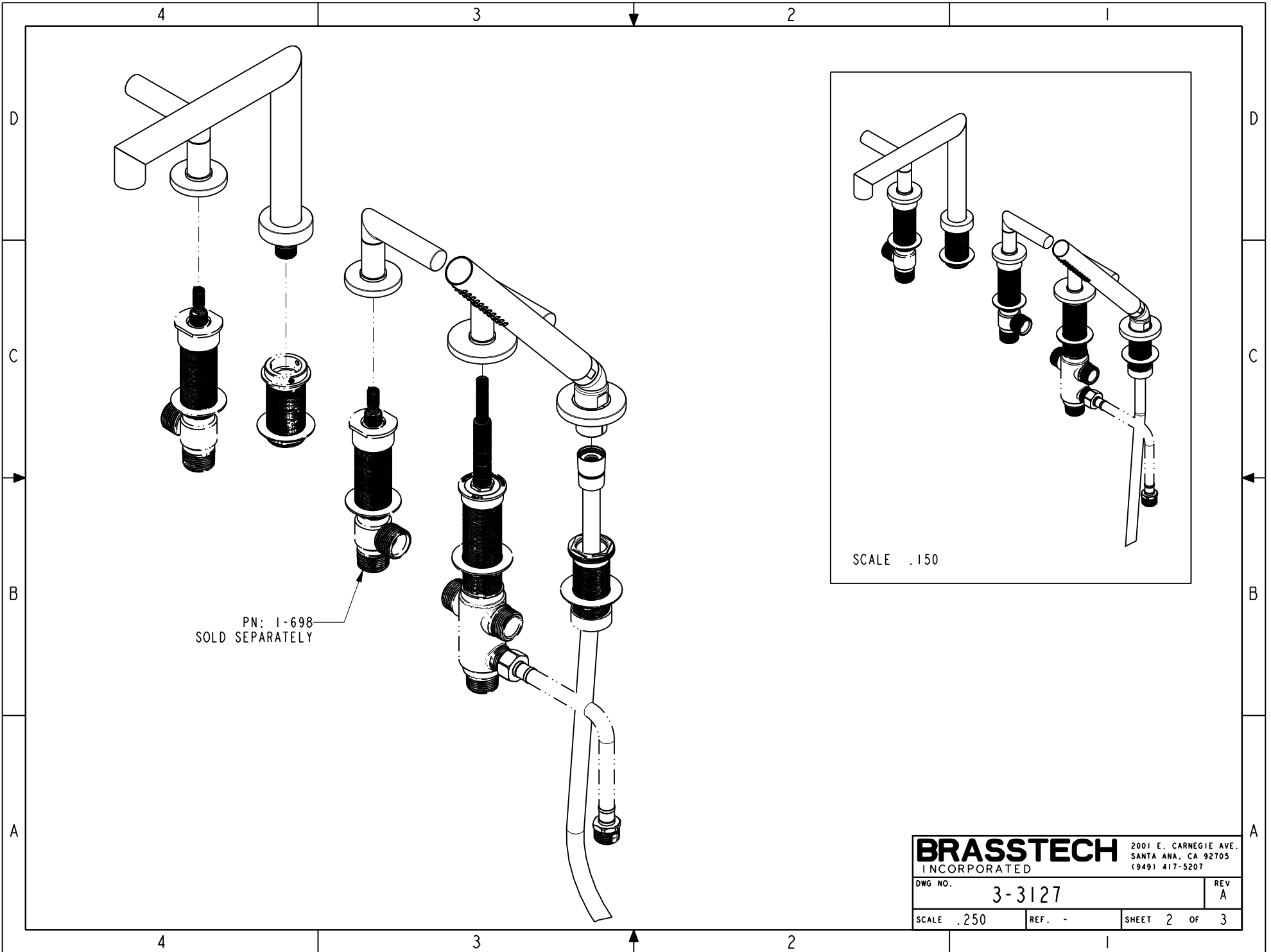
ZONE	REV	DESCRIPTION	DATE	APPROVED
-	A	EN-3397	06/05/18	J.A
-	-	EN-3032d	07/13/16	AN

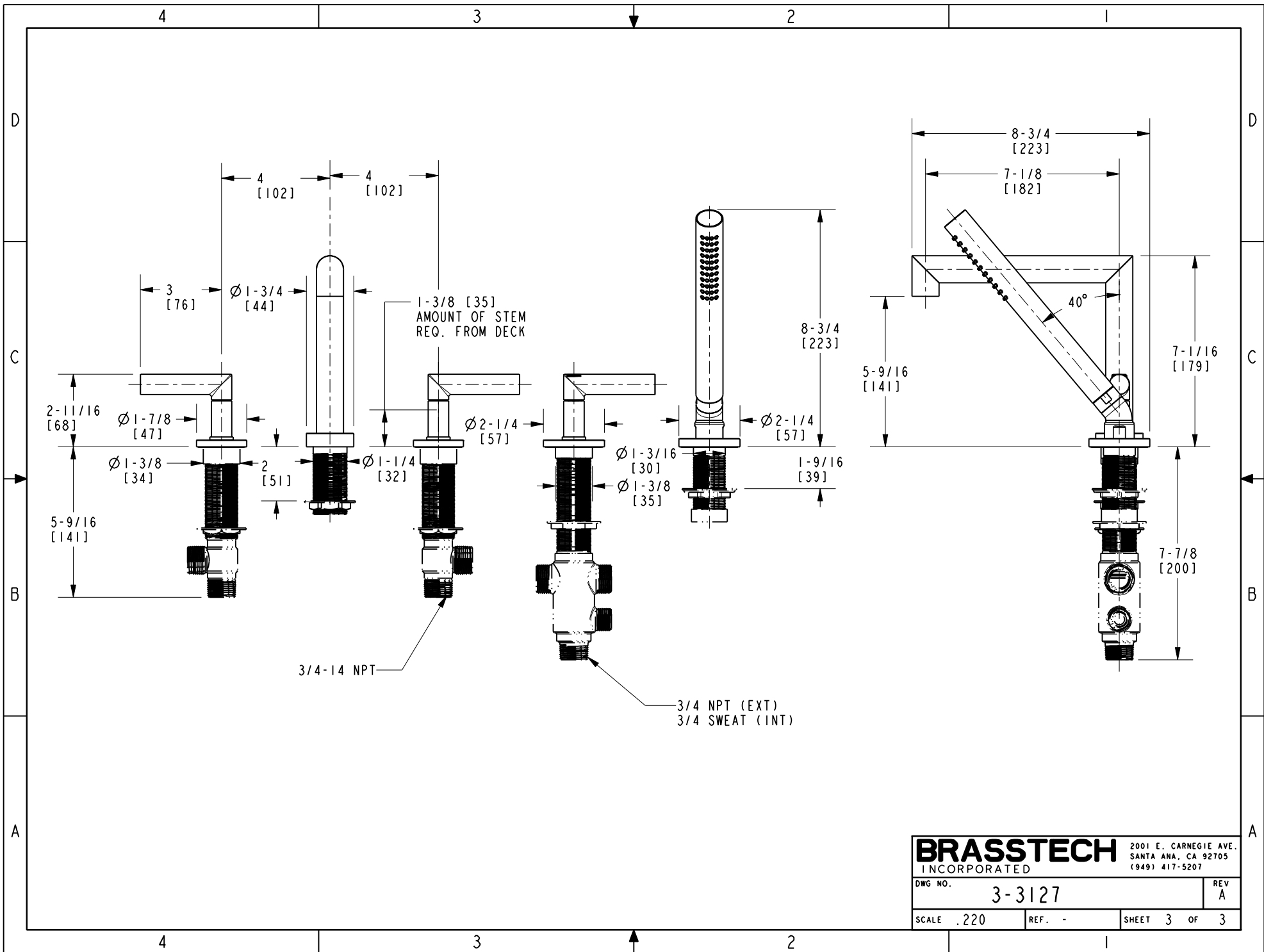
COPYRIGHT 2005 BRASSTECH, INC.
 THESE DRAWINGS AND THE DESIGNS
 DEPICTED HEREIN ARE THE PROPRIETARY
 PROPERTY OF BRASSTECH. ANY USE
 OR REPRODUCTION IS SUBJECT TO
 THE EXPRESS APPROVAL OF BRASSTECH.
 UNAUTHORIZED USE IS STRICTLY
 PROHIBITED. ALL RIGHTS RESERVED.

TESTING	ASSEMBLY	PLATING	POLISHING	MACHINING	TOOLING FIXTURE #	APPLICATION
-	-	-	-	-	-	REMOVE ALL BURRS AND SHARP EDGES

DRAWN	CHECKED	APPROVED
JINSON	J.A.	J.A.

DWG NO.	REV	SCALE	REF.	SHEET	OF
3-3127	A	.300	-	1	3





BRASSTECH		2001 E. CARNEGIE AVE.	
INCORPORATED		SANTA ANA, CA 92705	
DWG NO. 3-3127		REV A	
SCALE .220	REF. -	SHEET 3 OF 3	