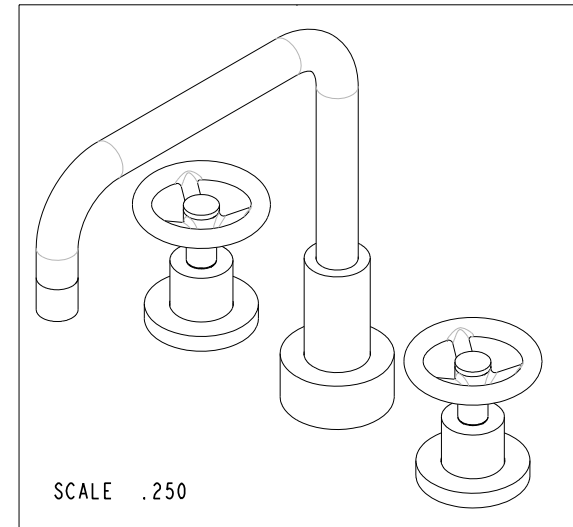
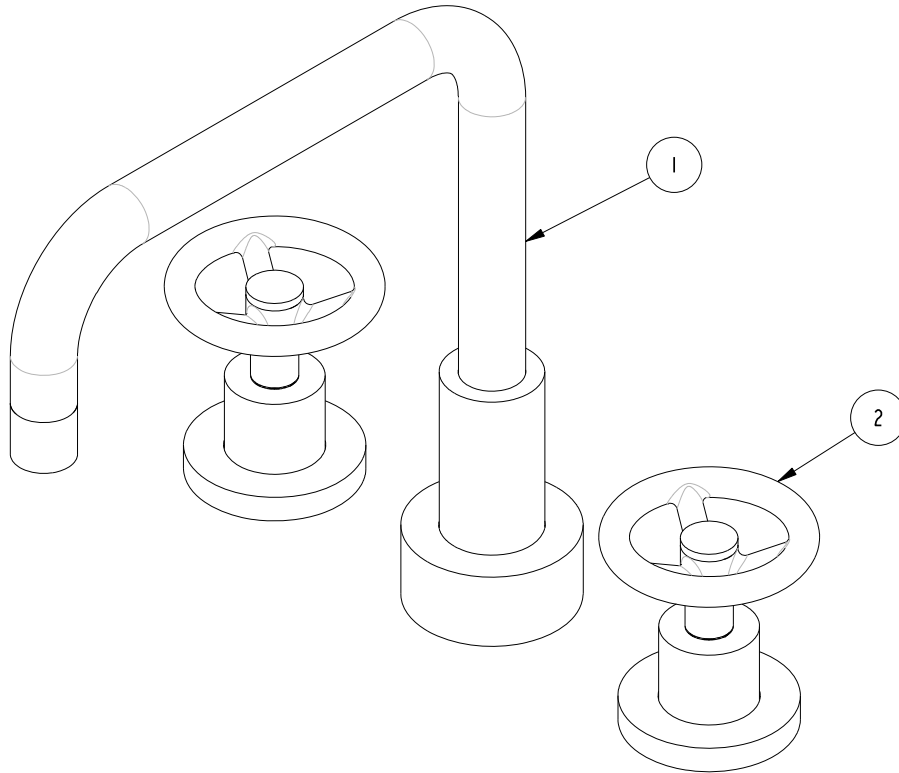


NOTES:

(NI) 1. FIT / FORM / FUNCTION SHALL FOLLOW PS-E.008.

**BILL OF MATERIAL (CURRENT LEVEL)**

ITEM	PT/ASSY	DESCRIPTION	TYPE	QTY.
1	3-275	ROMAN TUB SPOUT ASSEMBLY	ASSEMBLY	1
2	3-570	HANDLE/ ESC ASM	ASSEMBLY	2



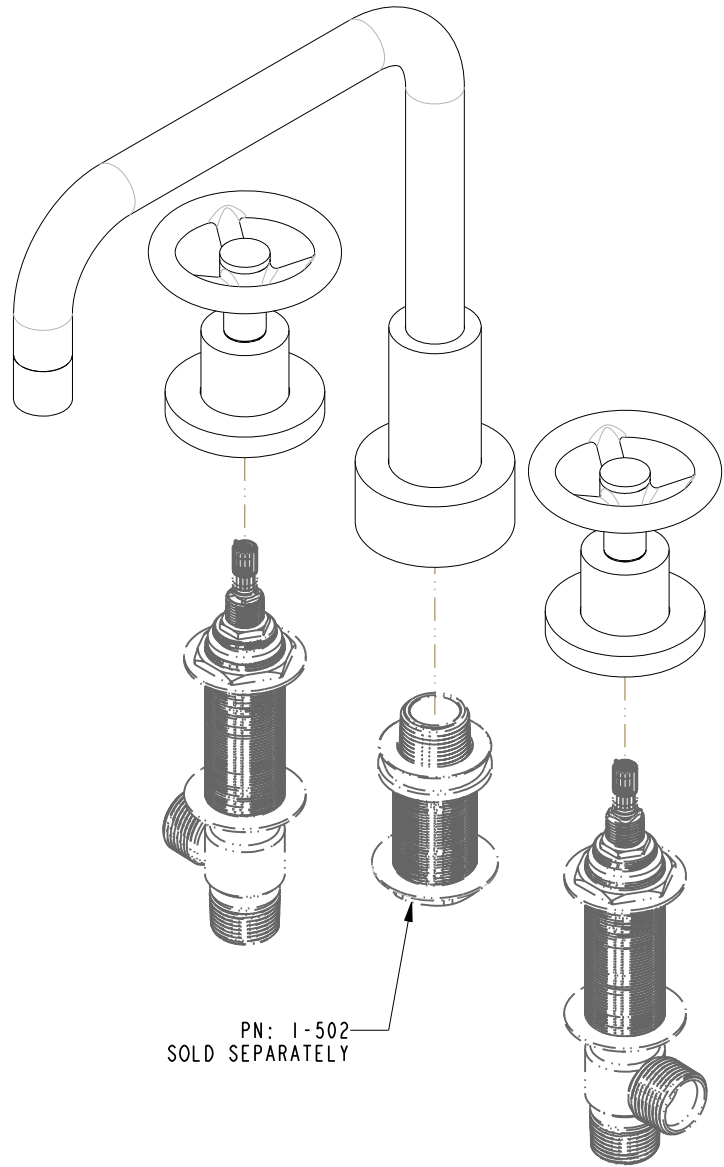
ZONE	REV	DESCRIPTION	DATE	APPROVED
-	A	EN-3242	01/27/17	AN
-	-	EN-3005b	03/21/16	AN

COPYRIGHT 2005 BRASSTECH, INC. THESE DRAWINGS AND THE DESIGNS DEPICTED HEREIN ARE THE PROPRIETARY PROPERTY OF BRASSTECH. ANY USE OR REPRODUCTION IS SUBJECT TO THE EXPRESS APPROVAL OF BRASSTECH. UNAUTHORIZED USE IS STRICTLY PROHIBITED. ALL RIGHTS RESERVED.

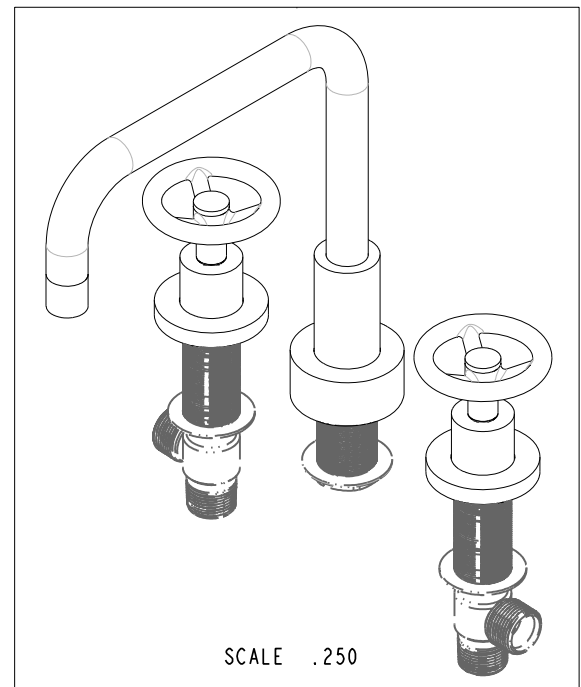
TESTING	-	-	-
ASSEMBLY	-	-	-
PLATING	-	-	-
POLISHING	-	NEXT ASSY	USED ON
MACHINING	-	APPLICATION	
TOOLING FIXTURE #	REMOVE ALL BURRS AND SHARP EDGES		

UNITS ARE: INCHES [MM]	
TOLERANCES ARE:	
FRACTIONS DECIMALS	ANGLES
±1/16"	.X ±.1 (2.5) ±1°
	.XX ±.06 (1.5)
(X.XXX) DENOTES CRITICAL DIMS.	
ALL THREADS ARE CRITICAL	
DRAWN	RAVINDRA 03/02/16
CHECKED	JINSON 03/02/16
APPROVED	AN 03/21/16

<b>BRASSTECH</b>		2001 CARNEGIE AVE. SANTA ANA, CA 92705 (949) 417-5207	
INCORPORATED			
ROMAN TUB FAUCET			
DWG. NO.		REV	
3-2956		A	
SCALE	REF.	SHEET	OF
.400	-	1	3

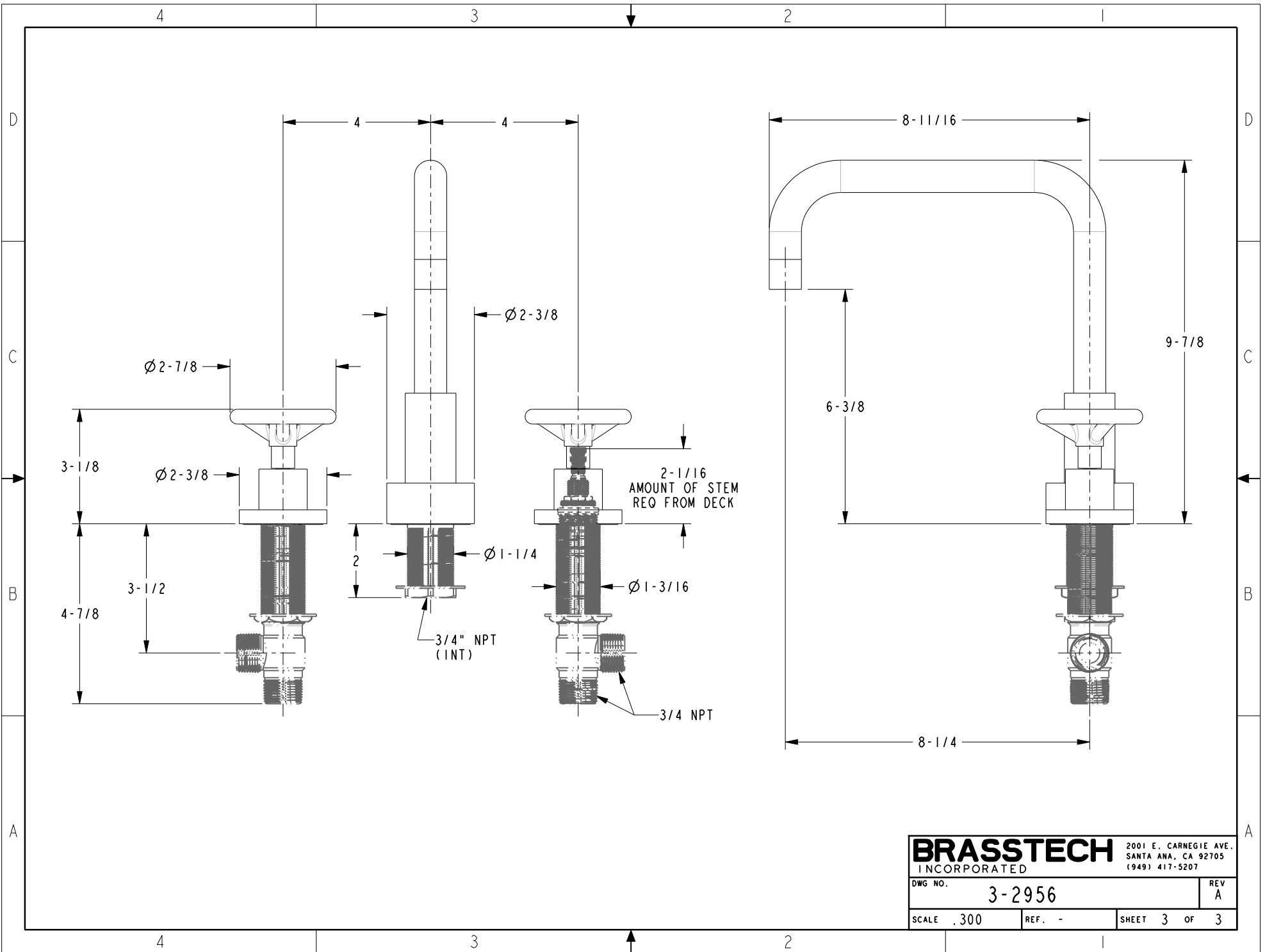


PN: 1-502  
SOLD SEPARATELY



SCALE .250

<b>BRASSTECH</b>		2001 E. CARNEGIE AVE. SANTA ANA, CA 92705 (949) 417-5207	
DWG NO.	3-2956	REV	A
SCALE	.350	REF.	-
		SHEET	2 OF 3



<b>BRASSTECH</b>		2001 E. CARNEGIE AVE.	
INCORPORATED		SANTA ANA, CA 92705	
DWG NO.		REV	
3-2956		A	
SCALE	REF.	SHEET	OF
.300	-	3	3