

4

3

2

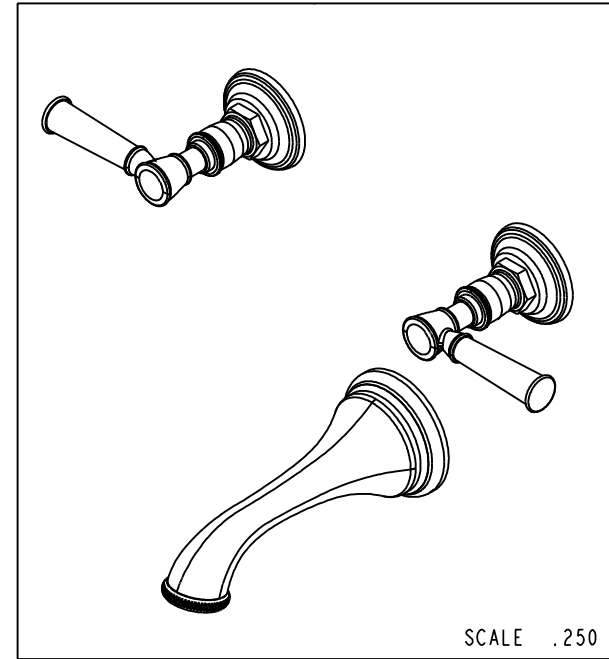
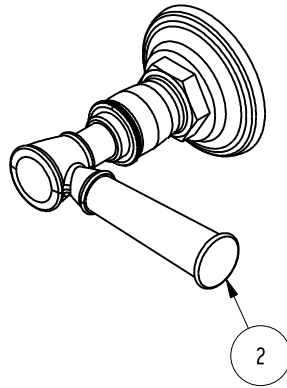
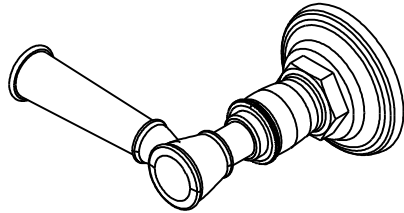
1

NOTES:

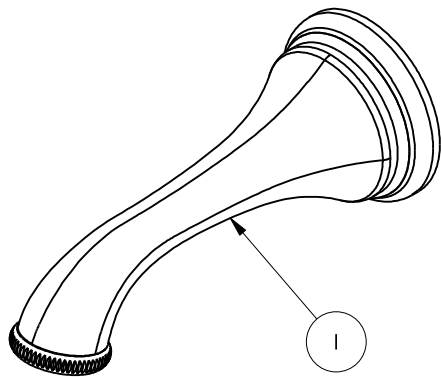
(N1) 1. FIT / FORM / FUNCTION SHALL FOLLOW PS-E.008.

BILL OF MATERIAL (CURRENT LEVEL)

ITEM	PT/ASSY	DESCRIPTION	TYPE	QTY.
1	20-131	WALL MOUNT TUB SPOUT	ASSEMBLY	1
2	3-561	LEVER HANDLE W/ESC.	ASSEMBLY	2



SCALE .250



1

2

TESTING	-	-	-
ASSEMBLY	-	-	-
PLATING	-	-	-
POLISHING	-	NEXT ASSY	USED ON
MACHINING	-	APPLICATION	
TOOLING FIXTURE #	REMOVE ALL BURRS AND SHARP EDGES		

UNITS ARE: INCHES [MM]
 TOLERANCES ARE:
 FRACTIONS DECIMALS ANGLES
 $\pm 1/16"$.X $\pm .1$ [2,5] $\pm 1^\circ$
 .XX $\pm .06$ [1,5]

(X.XXX) DENOTES CRITICAL DIMS.
 ALL THREADS ARE CRITICAL

DRAWN	RAVINDRA	08/10/15
CHECKED	JINSON	08/10/15
APPROVED	J.M	08/10/15

BRASSTECH 2001 CARNEGIE AVE.
 INCORPORATED SANTA ANA, CA 92705
 (949) 417-5207

WALL MOUNTED TUB TRIM KIT

DWG NO.	3-2915	REV	-
SCALE	.375	REF.	-
SHEET	1	OF	3

COPYRIGHT 2005 BRASSTECH, INC.
 THESE DRAWINGS AND THE DESIGNS
 DEPICTED HEREIN ARE THE PROPRIETARY
 PROPERTY OF BRASSTECH. ANY USE
 OR REPRODUCTION IS SUBJECT TO
 THE EXPRESS APPROVAL OF BRASSTECH.
 UNAUTHORIZED USE IS STRICTLY
 PROHIBITED. ALL RIGHTS RESERVED.

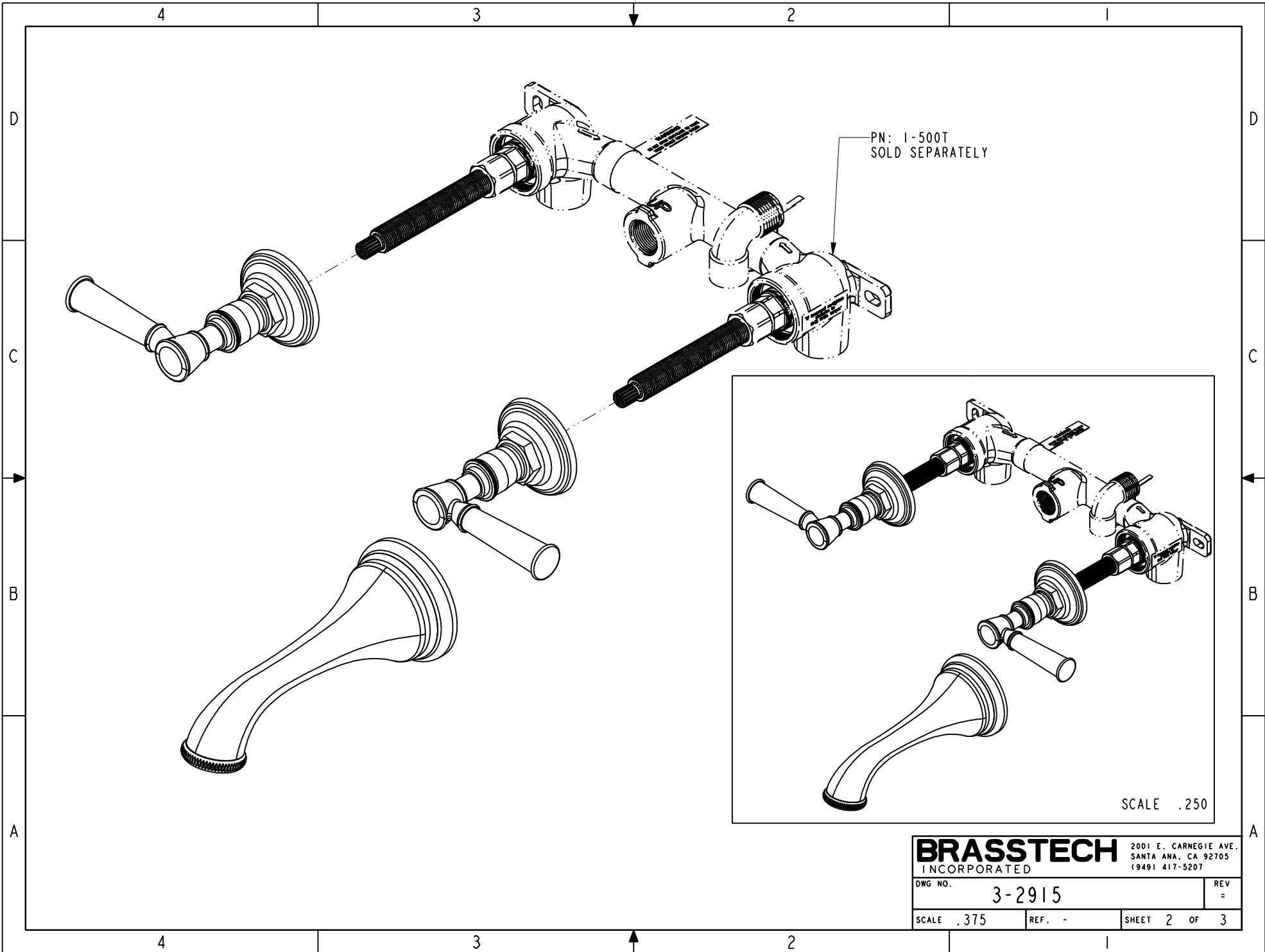
-	-	EN-2838c	08/10/15	J.M
ZONE	REV	DESCRIPTION	DATE	APPROVED

4

3

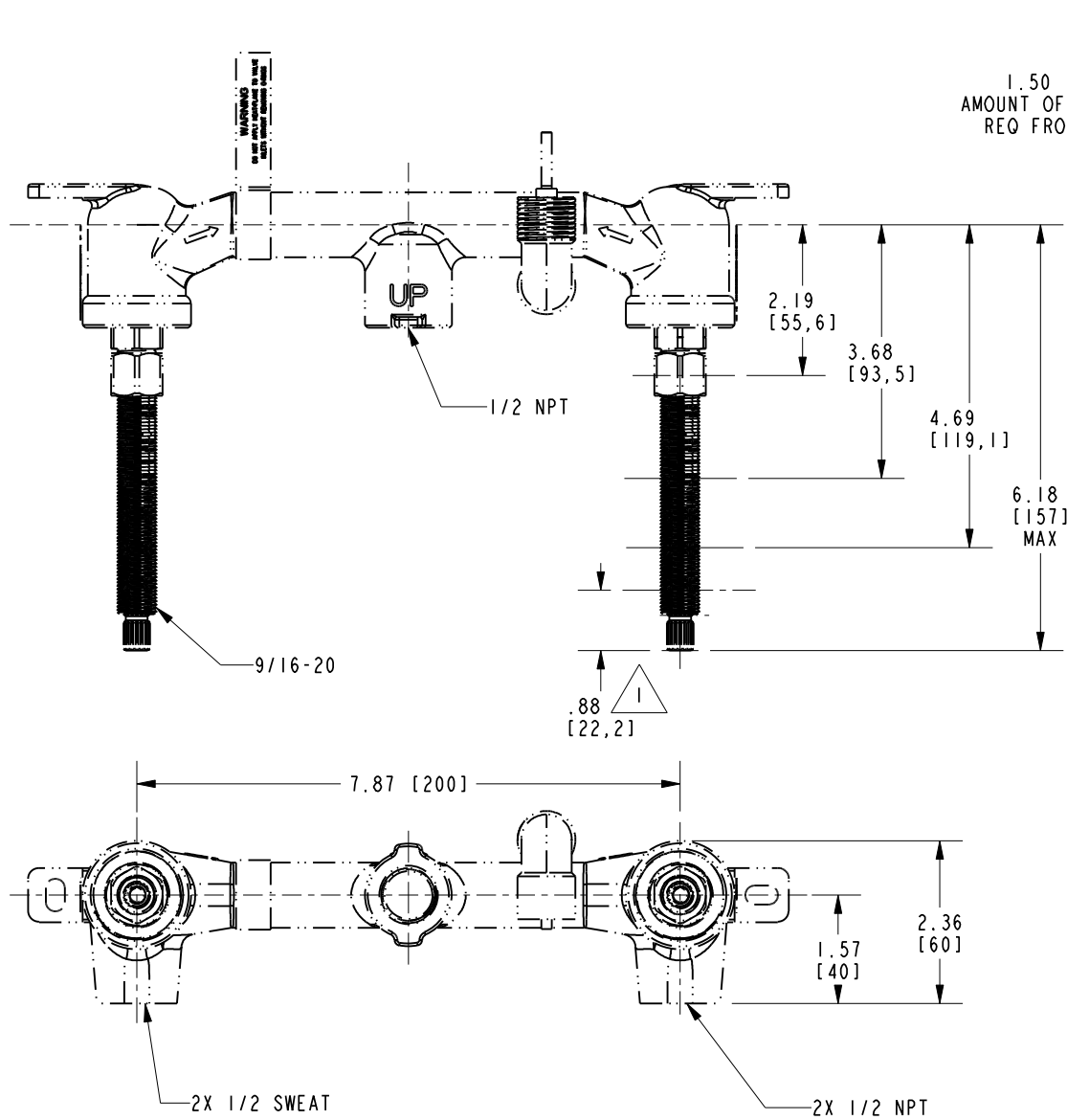
2

1

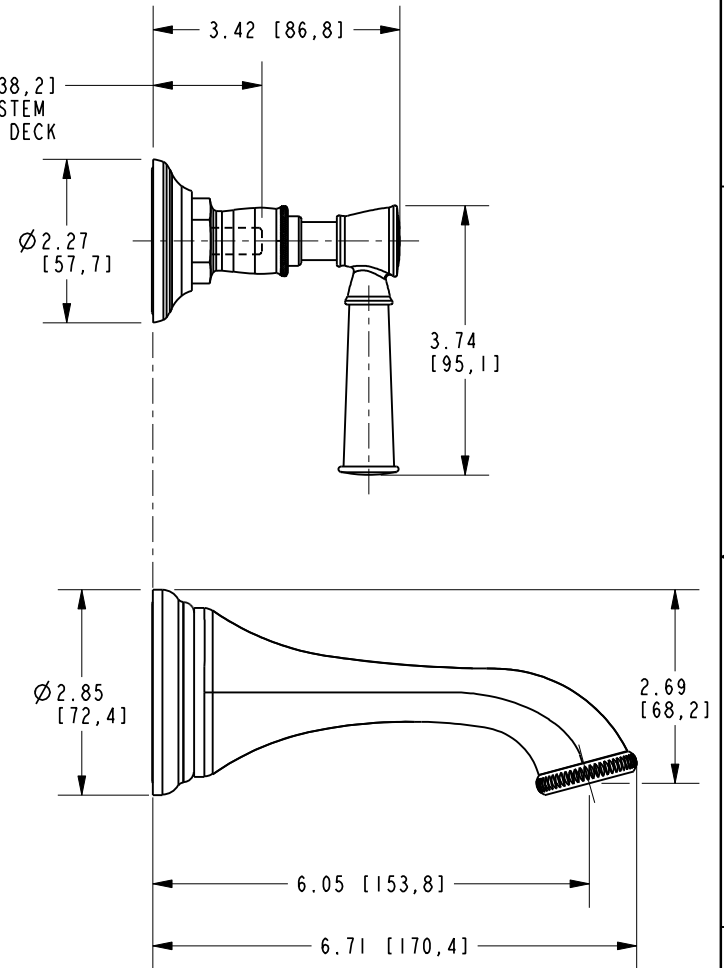


NOTE:

1. CUT ALL THREADS 7/8" SHORTER THAN STEM.



1.50 [38,2]
AMOUNT OF STEM
REQ FROM DECK



BRASSTECH INCORPORATED		2001 E. CARNEGIE AVE. SANTA ANA, CA 92705 (949) 417-5207	
DWG NO.	3-2915	REV	=
SCALE	.375	REF.	-
SHEET 3		OF 3	