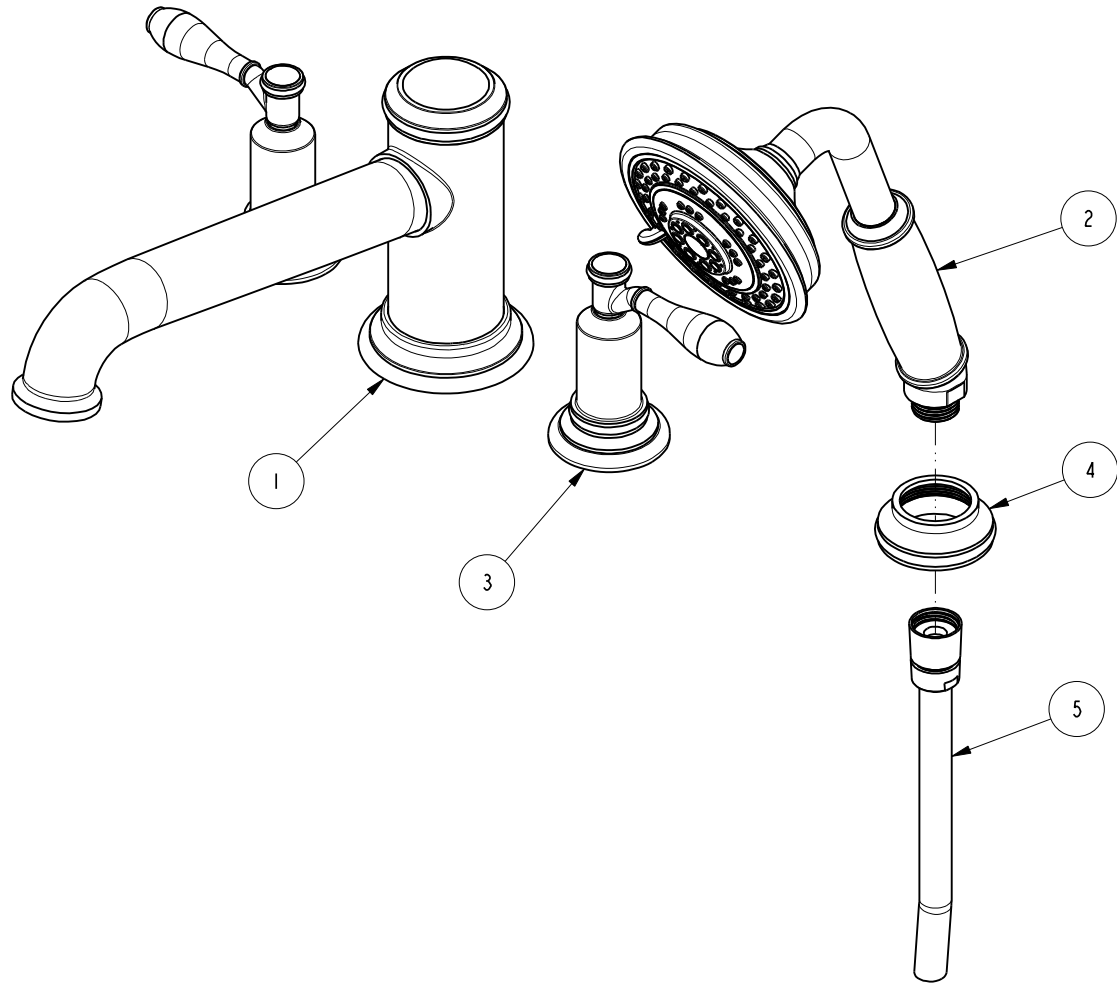


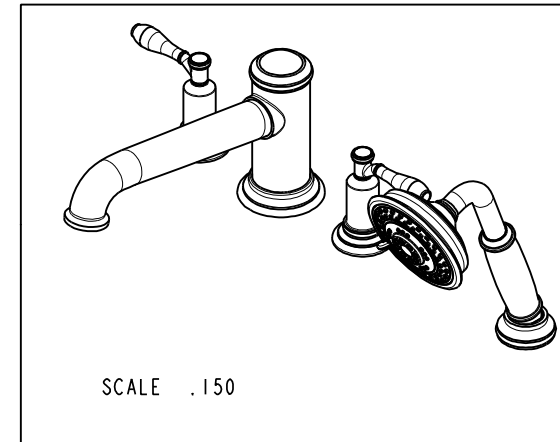
NOTES:

(N1) 1. FIT / FORM / FUNCTION SHALL FOLLOW PS-E.008.



BILL OF MATERIAL (CURRENT LEVEL)

ITEM	PT/ASSY	DESCRIPTION	TYPE	QTY.
1	3-432	ROMAN TUB SPOUT	ASSEMBLY	1
2	281-1	HAND SHOWER - TRADITIONAL	ASSEMBLY	1
3	3-593	FLOW CONTROL HANDLE	ASSEMBLY	2
4	6-289-10	HAND SHOWER DECKFLANGE ASSEMBLY	ASSEMBLY	1
5	284	59 IN. SPIRAL SHOWER HOSE	ASSEMBLY	1



UNITS ARE: INCHES [MM]
 TOLERANCES ARE:
 FRACTIONS DECIMALS ANGLES
 $\pm 1/16"$.X $\pm .1$ [2,5] $\pm 1^\circ$
 .XX $\pm .06$ [1,5]
 (X.XXX) DENOTES CRITICAL DIMS.
 ALL THREADS ARE CRITICAL

DRAWN JINSON 12/16/17
 CHECKED J.A. 12/16/17
 APPROVED J.A. 12/16/17

BRASSTECH 2001 CARNEGIE AVE.
 INCORPORATED SANTA ANA, CA 92705
 (949) 417-5207

R/T FAUCET WITH HAND SHOWER

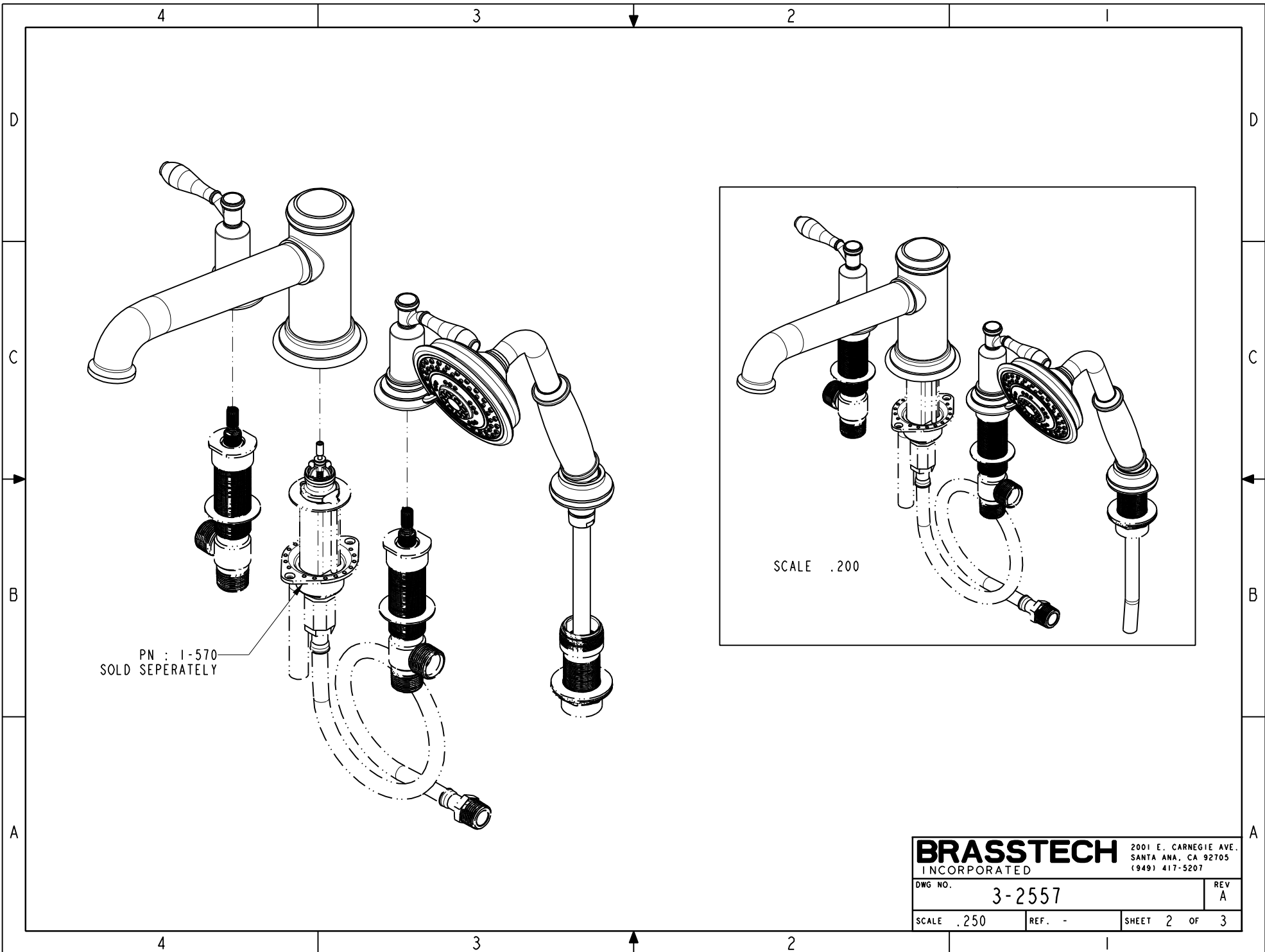
DWG NO. 3-2557 REV A

SCALE .300 REF. - SHEET 1 OF 3

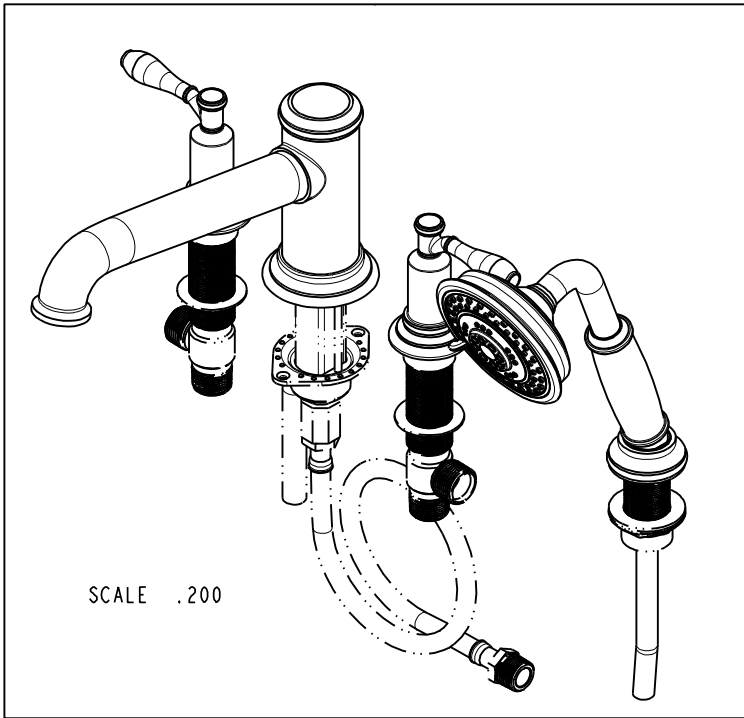
ZONE	REV	DESCRIPTION	DATE	APPROVED
-	A	EN-3271A	12/16/17	J.A.
-	-	EN-1735	06/10/11	-

COPYRIGHT 2005 BRASSTECH, INC.
 THESE DRAWINGS AND THE DESIGNS
 DEPICTED HEREIN ARE THE PROPRIETARY
 PROPERTY OF BRASSTECH. ANY USE
 OR REPRODUCTION IS SUBJECT TO
 THE EXPRESS APPROVAL OF BRASSTECH.
 UNAUTHORIZED USE IS STRICTLY
 PROHIBITED. ALL RIGHTS RESERVED.

TESTING	ASSEMBLY	PLATING	POLISHING	MACHINING	TOOLING FIXTURE #	APPLICATION
-	-	-	-	-	-	REMOVE ALL BURRS AND SHARP EDGES



PN : 1-570
SOLD SEPERATELY



BRASSTECH		2001 E. CARNEGIE AVE.	
INCORPORATED		SANTA ANA, CA 92705	
		(949) 417-5207	
DWG NO.	3-2557		REV A
SCALE .250	REF. -	SHEET 2 OF 3	

