

4

3

2

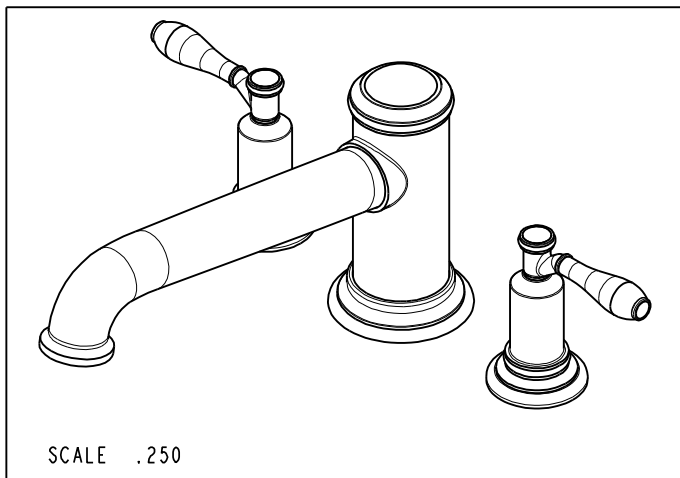
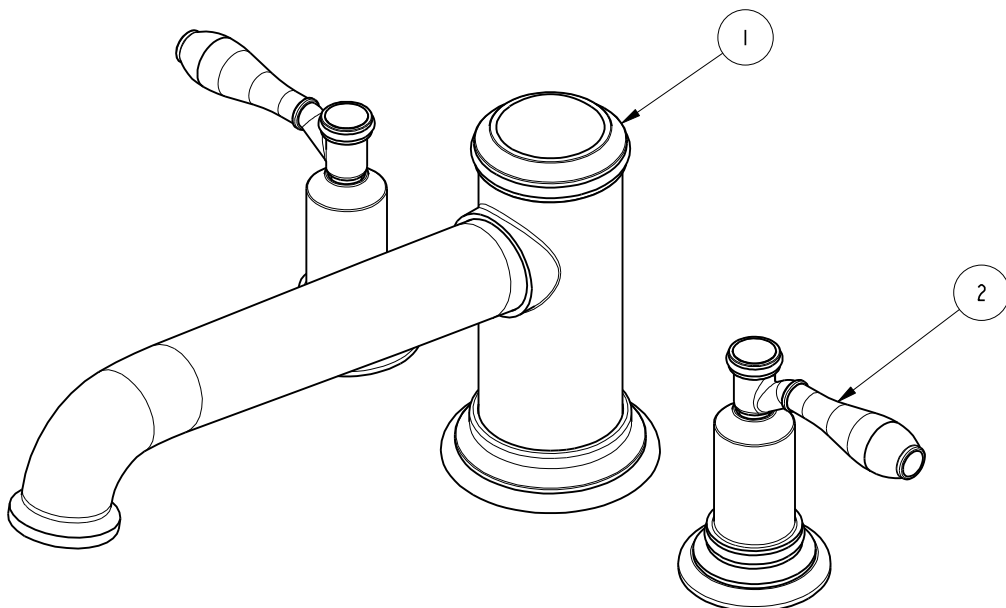
1

NOTES:

(N1) 1. FIT / FORM / FUNCTION SHALL FOLLOW PS-E.008.

BILL OF MATERIAL (CURRENT LEVEL)

ITEM	PT/ASSY	DESCRIPTION	TYPE	QTY.
1	3-433	ROMAN TUB SPOUT ASM	ASSEMBLY	1
2	3-593	FLOW CONTROL HANDLE	ASSEMBLY	2



TESTING	-	-	-
ASSEMBLY	-	-	-
PLATING	-	-	-
POLISHING	-	NEXT ASSY	USED ON
MACHINING	-	APPLICATION	
TOOLING FIXTURE #		REMOVE ALL BURRS AND SHARP EDGES	

UNITS ARE: INCHES [MM]		
TOLERANCES ARE:		
FRACTIONS	DECIMALS	ANGLES
±1/16"	.X ±.1 [2.5]	±1°
	.XX ±.06 [1.5]	
(X.XXX) DENOTES CRITICAL DIMS.		
ALL THREADS ARE CRITICAL		
DRAWN	JINSON	12/16/17
CHECKED	J.A.	12/16/17
APPROVED	J.A.	12/16/17

BRASSTECH 2001 CARNEGIE AVE.
INCORPORATED SANTA ANA, CA 92705
(949) 417-5207

ROMAN TUB FAUCET

DWG NO. 3-2556 REV A

SCALE .375 REF. - SHEET 1 OF 3

COPYRIGHT 2005 BRASSTECH, INC.
THESE DRAWINGS AND THE DESIGNS
DEPICTED HEREIN ARE THE PROPRIETARY
PROPERTY OF BRASSTECH. ANY USE
OR REPRODUCTION IS SUBJECT TO
THE EXPRESS APPROVAL OF BRASSTECH.
UNAUTHORIZED USE IS STRICTLY
PROHIBITED. ALL RIGHTS RESERVED.

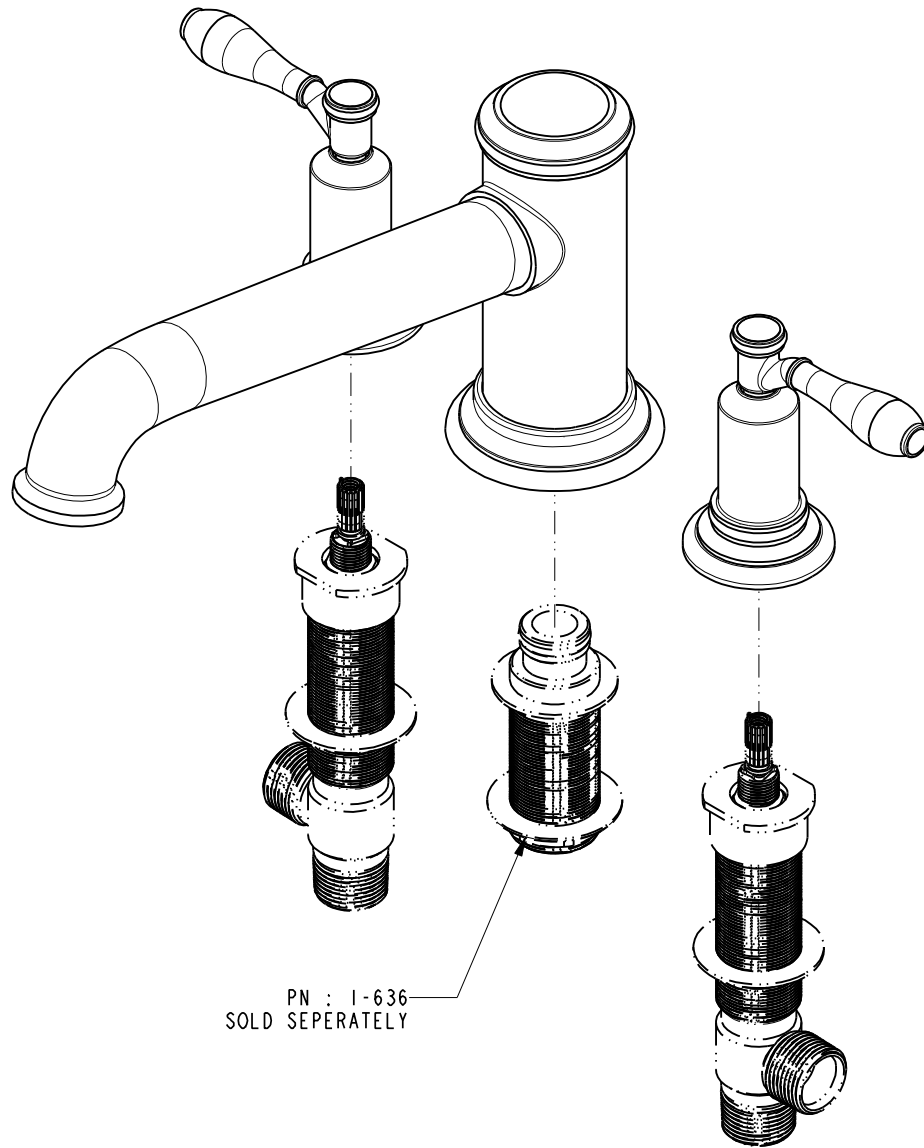
-	A	EN-3271A	12/16/17	J.A.
-	-	EN-1735	06/10/11	-
ZONE	REV	DESCRIPTION	DATE	APPROVED

4

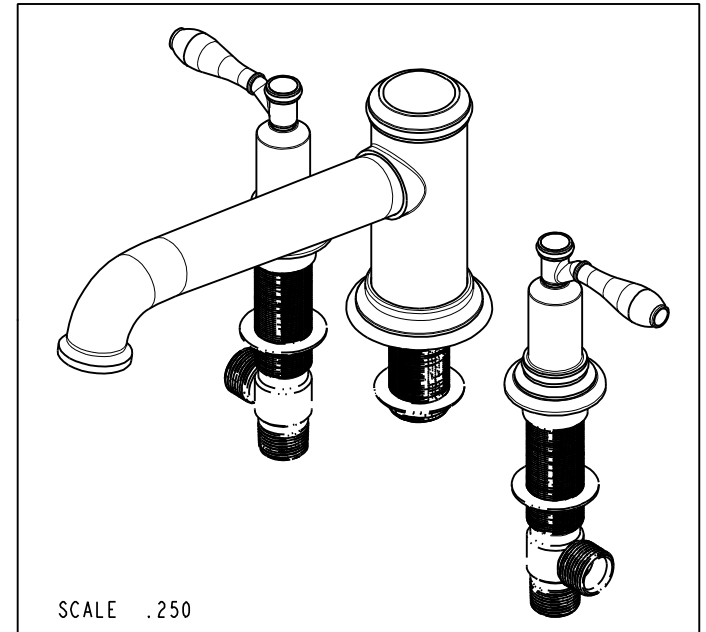
3

2

1



PN : 1-636
SOLD SEPERATELY



SCALE .250

BRASSTECH		2001 E. CARNEGIE AVE.	
INCORPORATED		SANTA ANA, CA 92705	
DWG NO. 3-2556		REV A	
SCALE .375	REF. -	SHEET 2 OF 3	

