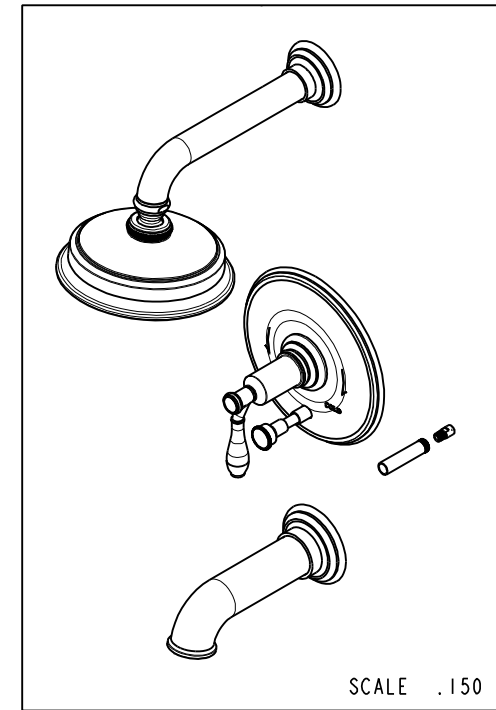
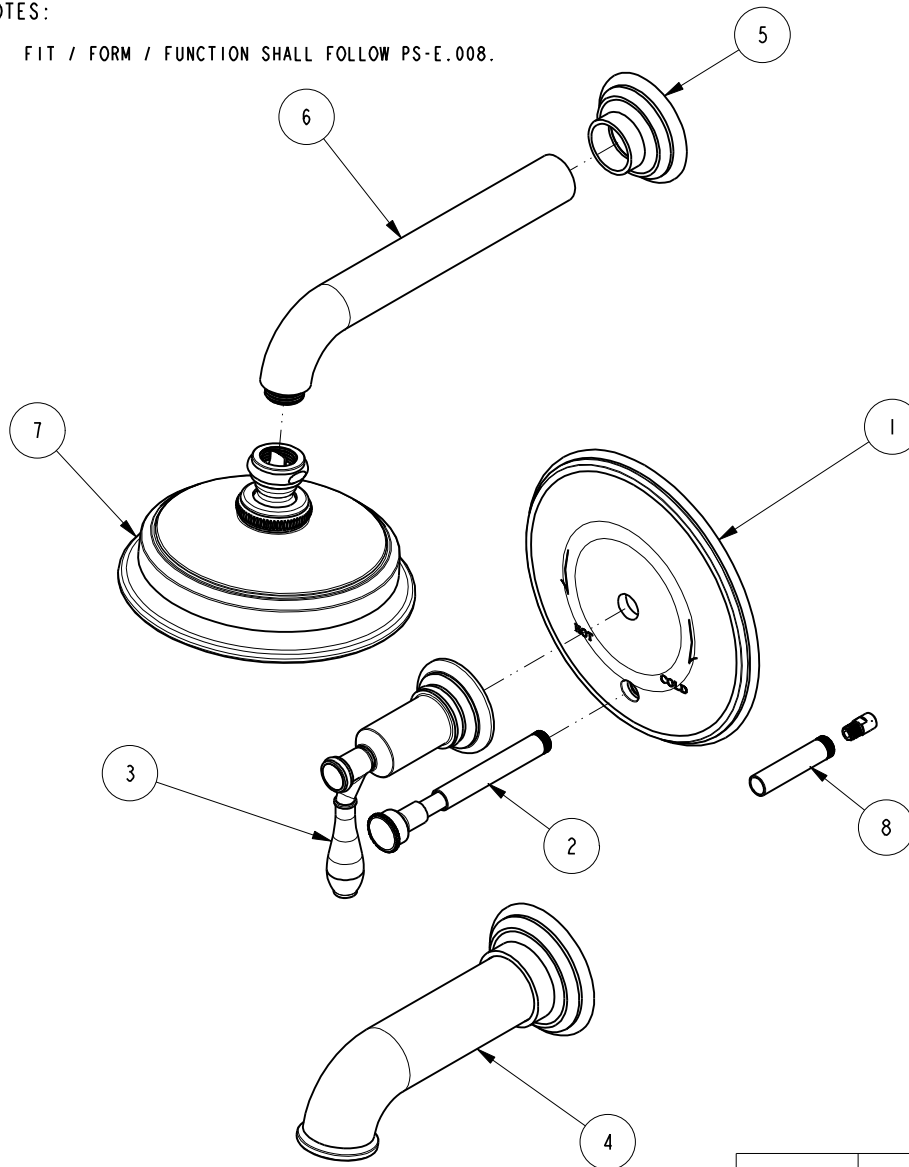


NOTES:

(NI) 1. FIT / FORM / FUNCTION SHALL FOLLOW PS-E.008.

BILL OF MATERIAL (CURRENT LEVEL)

ITEM	PT/ASSY	DESCRIPTION	TYPE	QTY.
1	8-092	TUB AND SHOWER PLATE ASM	ASSEMBLY	1
2	8-091	DIVERTER TRIM ASM	ASSEMBLY	1
3	3-593	FLOW CONTROL HANDLE	ASSEMBLY	1
4	3-427	TUB SPOUT ASM	ASSEMBLY	1
5	8-072	ESCUTCHEON ASM	ASSEMBLY	1
6	8-073	SHOWER ARM ASM	ASSEMBLY	1
7	2142	TRAD. SHOWER HEAD - SINGLE JET	ASSEMBLY	1
8	2-894	DIVERTER TRIM KIT (SHORT)	ASSEMBLY	1



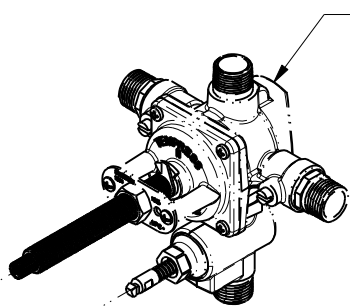
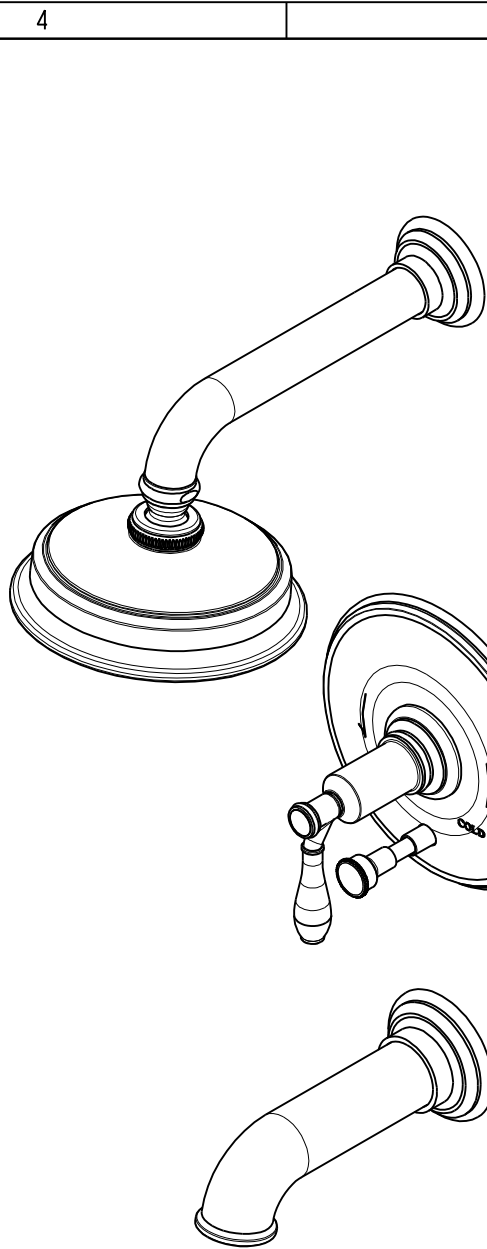
ZONE	REV	DESCRIPTION	DATE	APPROVED
-	E	EN-3271A	12/18/17	J.A.
-	D	EN-3073	06/09/16	J.M.
-	C	EN-2452	02/07/13	-
-	B	EN-2068	02/09/12	-

COPYRIGHT 2005 BRASSTECH, INC. THESE DRAWINGS AND THE DESIGNS DEPICTED HEREIN ARE THE PROPRIETARY PROPERTY OF BRASSTECH. ANY USE OR REPRODUCTION IS SUBJECT TO THE EXPRESS APPROVAL OF BRASSTECH. UNAUTHORIZED USE IS STRICTLY PROHIBITED. ALL RIGHTS RESERVED.

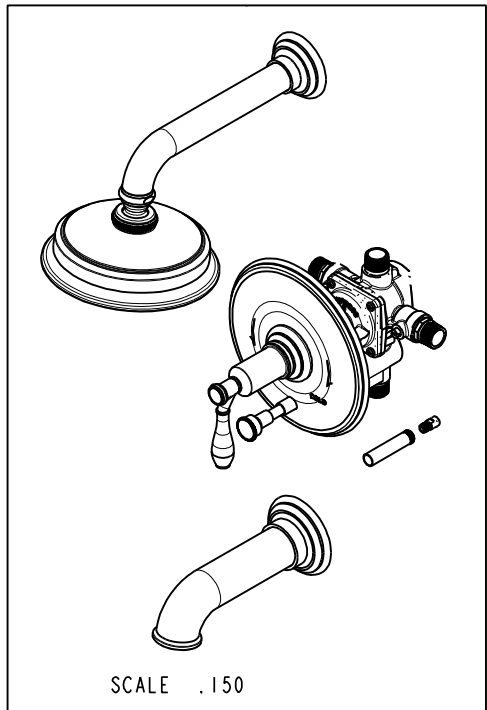
TESTING	ASSEMBLY	PLATING	POLISHING	MACHINING	TOOLING FIXTURE #	APPLICATION
-	-	-	-	-	-	REMOVE ALL BURRS AND SHARP EDGES
-	-	-	-	-	-	NEXT ASSY USED ON

UNITS ARE: INCHES [MM]
 TOLERANCES ARE:
 FRACTIONS DECIMALS ANGLES
 $\pm 1/16"$.X $\pm .1$ [2,5] $\pm 1^\circ$
 .XX $\pm .06$ [1,5]
 (X.XXX) DENOTES CRITICAL DIMS.
 ALL THREADS ARE CRITICAL
 DRAWN JINSON 12/18/17
 CHECKED J.A. 12/18/17
 APPROVED J.A. 12/18/17

BRASSTECH 2001 CARNEGIE AVE. SANTA ANA, CA 92705 (949) 417-5207
 INCORPORATED
BALANCED PRESSURE TUB & SHOWER TRIM SET
 DWG NO. 3-2552BP REV E
 SCALE .250 REF. - SHEET 1 OF 3



PN: 1-595
SOLD SEPARATELY



BRASSTECH INCORPORATED		2001 E. CARNEGIE AVE. SANTA ANA, CA 92705 (949) 417-5207
DWG NO.	3-2552BP	REV E
SCALE .250	REF. -	SHEET 2 OF 3

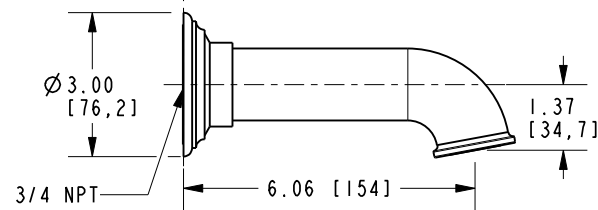
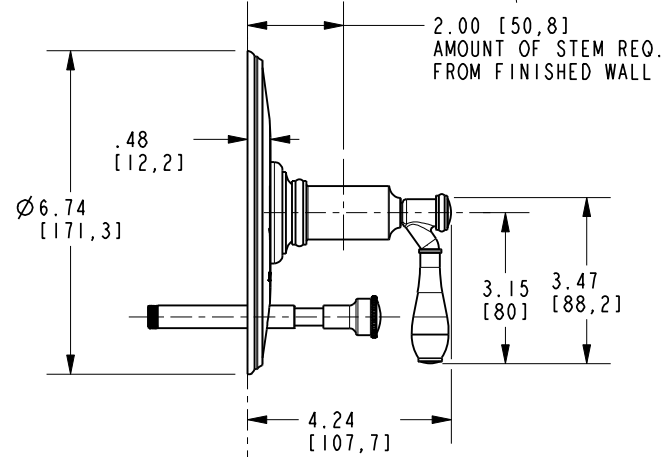
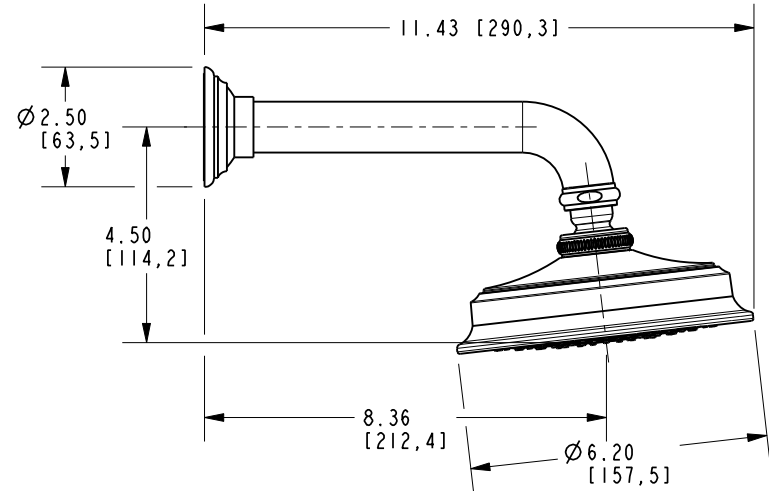
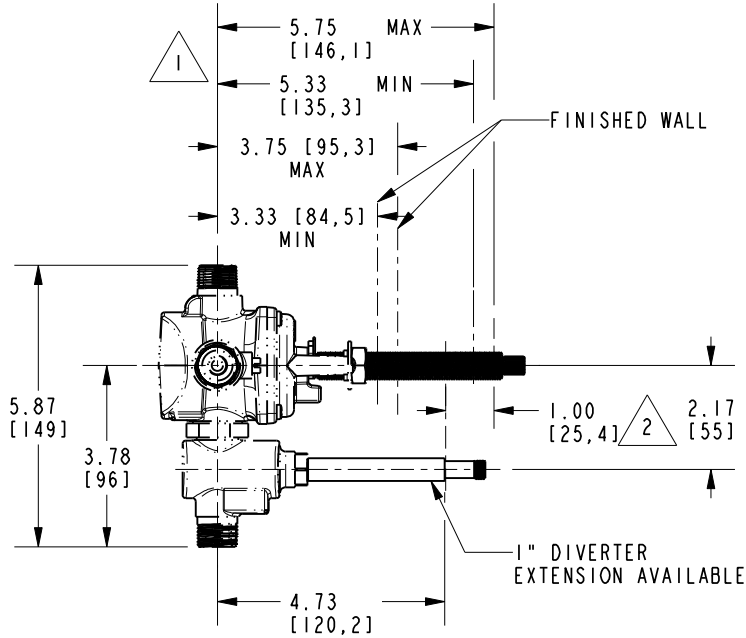
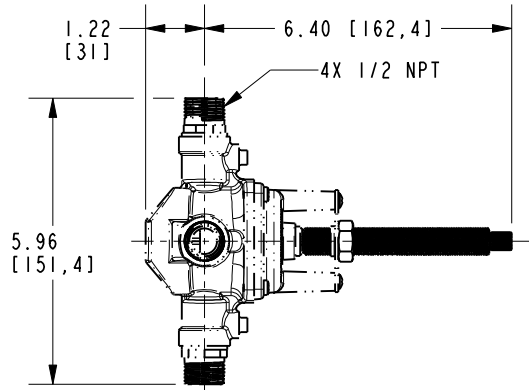
NOTES:



CUT STEM TO DIMENSION SHOWN.



CUT ALL-THREAD 1" SHORTER THAN STEM.



BRASSTECH		2001 E. CARNEGIE AVE. SANTA ANA, CA 92705 (949) 417-5207	
INCORPORATED			
DWG NO.	3-2552BP		REV E
SCALE .250	REF. -	SHEET 3 OF 3	