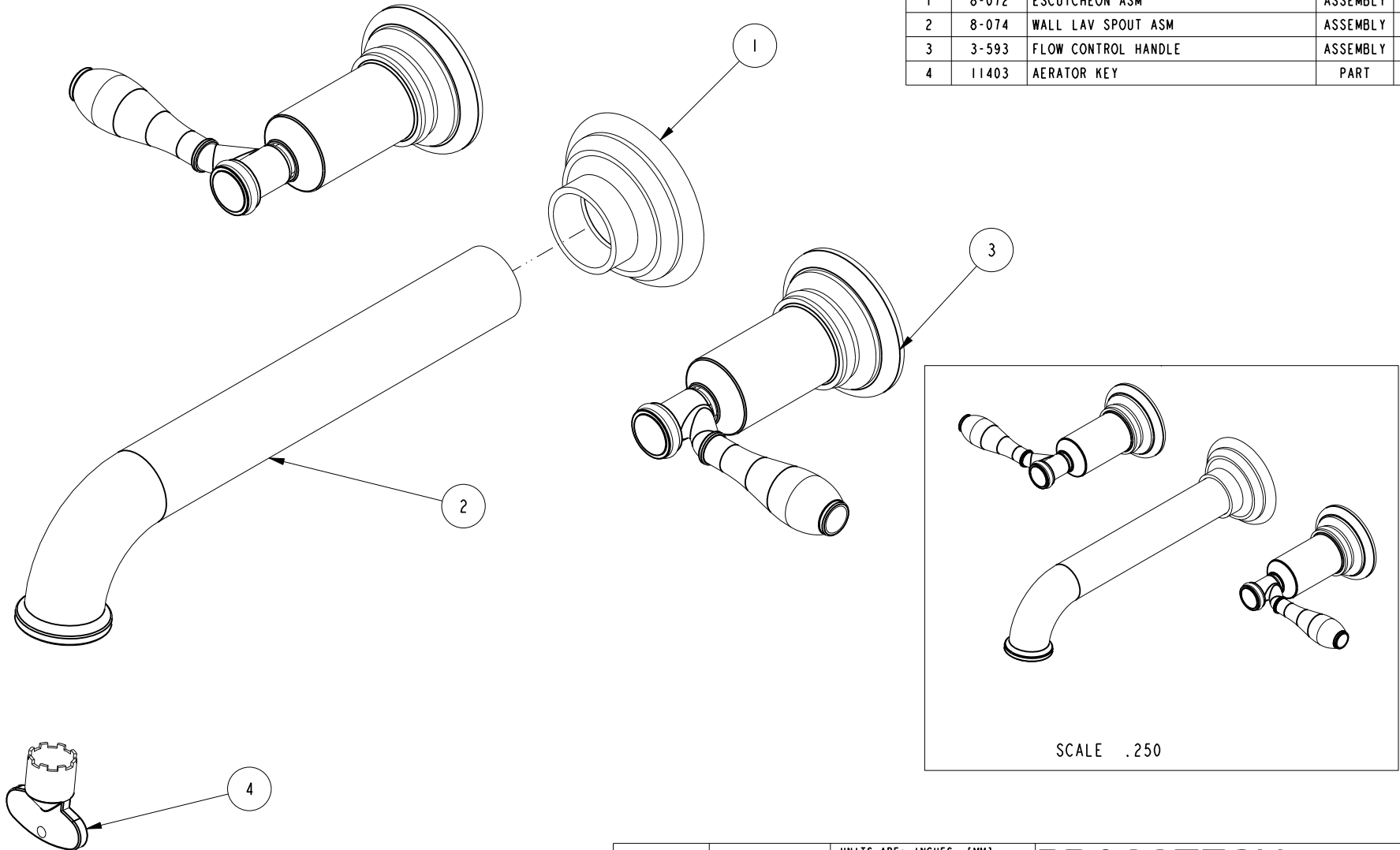


NOTES:

(NI) 1. FIT / FORM / FUNCTION SHALL FOLLOW PS-E.008.

BILL OF MATERIAL (CURRENT LEVEL)

ITEM	PT/ASSY	DESCRIPTION	TYPE	QTY.
1	8-072	ESCUTCHEON ASM	ASSEMBLY	1
2	8-074	WALL LAV SPOUT ASM	ASSEMBLY	1
3	3-593	FLOW CONTROL HANDLE	ASSEMBLY	2
4	11403	AERATOR KEY	PART	1



SCALE .250

TESTING	-	-	-
ASSEMBLY	-	-	-
PLATING	-	-	-
POLISHING	-	NEXT ASSY	USED ON
MACHINING	-	APPLICATION	
TOOLING FIXTURE #	REMOVE ALL BURRS AND SHARP EDGES		

UNITS ARE: INCHES [MM]
 TOLERANCES ARE:
 FRACTIONS DECIMALS ANGLES
 $\pm 1/16"$.X $\pm .1$ [2.5] $\pm 1^\circ$
 .XX $\pm .06$ [1.5]
 (X.XXX) DENOTES CRITICAL DIMS.
 ALL THREADS ARE CRITICAL

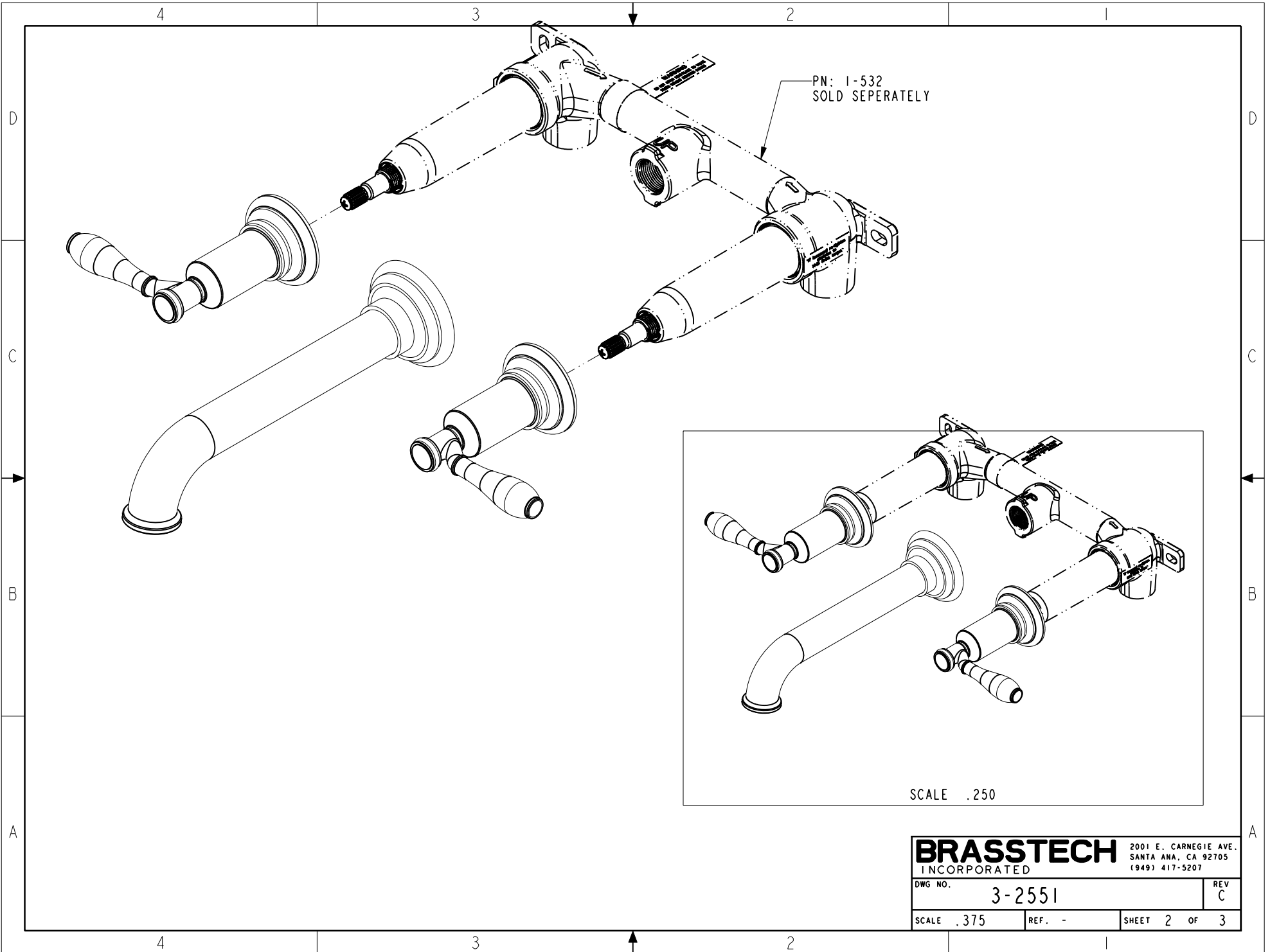
BRASSTECH 2001 CARNEGIE AVE.
 INCORPORATED SANTA ANA, CA 92705
 (949) 417-5207

W/M LAVATORY FAUCET

ZONE	REV	DESCRIPTION	DATE	APPROVED
-	C	EN-3601	05/07/18	V.V.
-	B	EN-3271A	12/16/17	J.A.
-	A	EN-3062	06/01/16	R.S.
-	-	EN-1735	06/10/11	-

COPYRIGHT 2005 BRASSTECH, INC.
 THESE DRAWINGS AND THE DESIGNS
 DEPICTED HEREIN ARE THE PROPRIETARY
 PROPERTY OF BRASSTECH. ANY USE
 OR REPRODUCTION IS SUBJECT TO
 THE EXPRESS APPROVAL OF BRASSTECH.
 UNAUTHORIZED USE IS STRICTLY
 PROHIBITED. ALL RIGHTS RESERVED.

DWG NO.	3-2551	REV	C
SCALE	.500	REF.	-
SHEET	1	OF	3



NOTES:

1 CUT STEM TO DIMENSION SHOWN.

2 CUT ALL-THREAD 1" SHORTER THAN STEM.

D

C

B

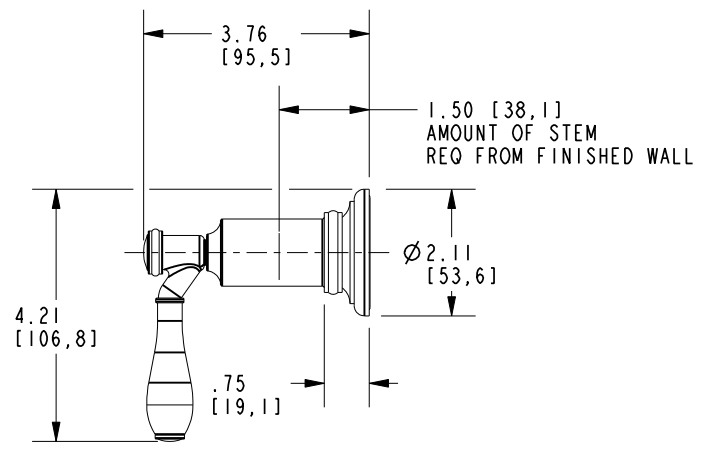
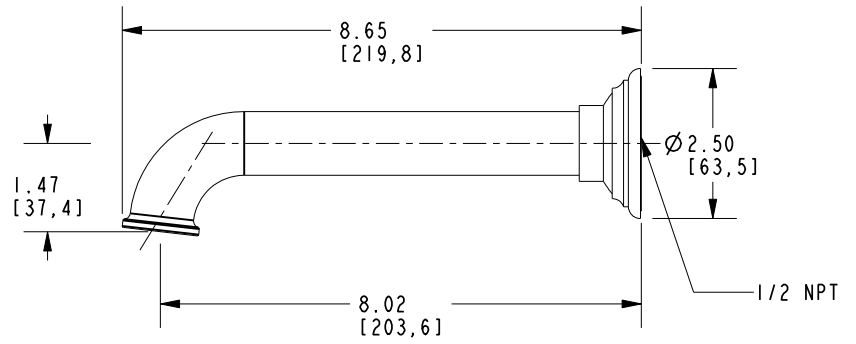
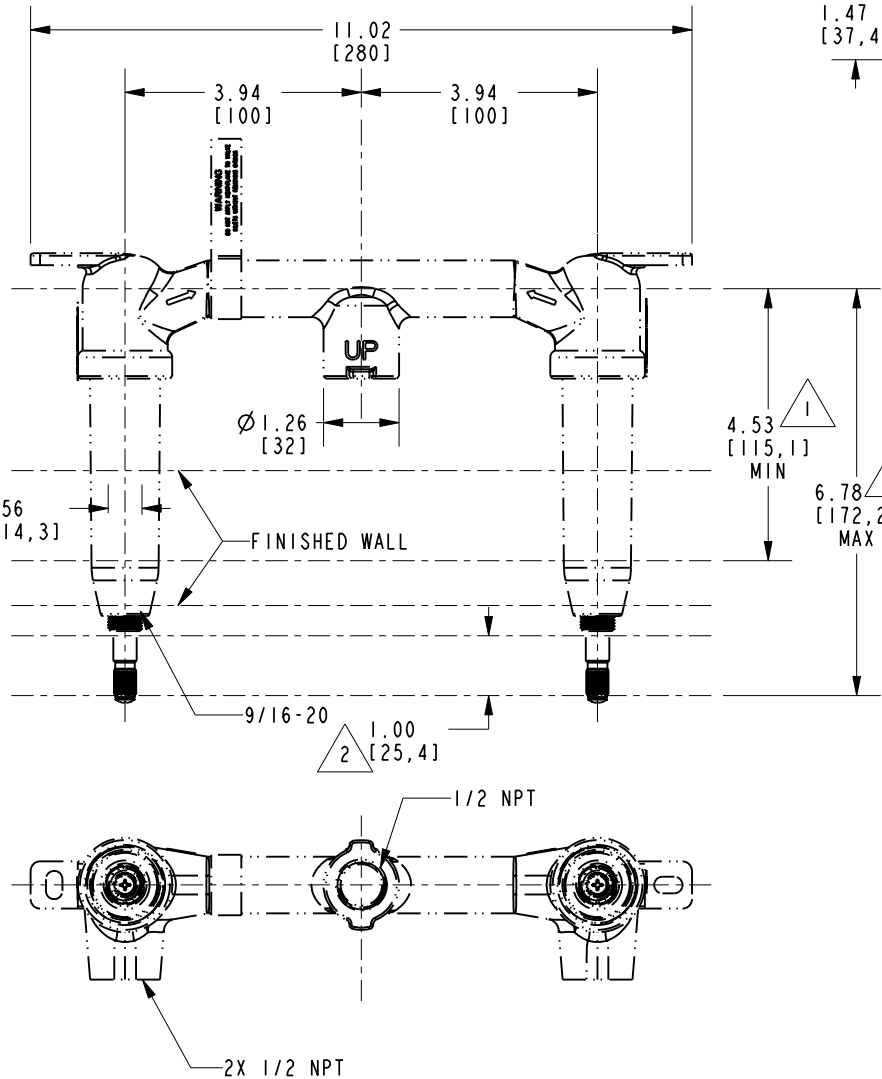
A

D

C

B

A



BRASSTECH		2001 E. CARNEGIE AVE. SANTA ANA, CA 92705 (949) 417-5207	
INCORPORATED			
DWG NO.	3-2551		REV C
SCALE .313	REF. -	SHEET 3 OF 3	