

4

3

2

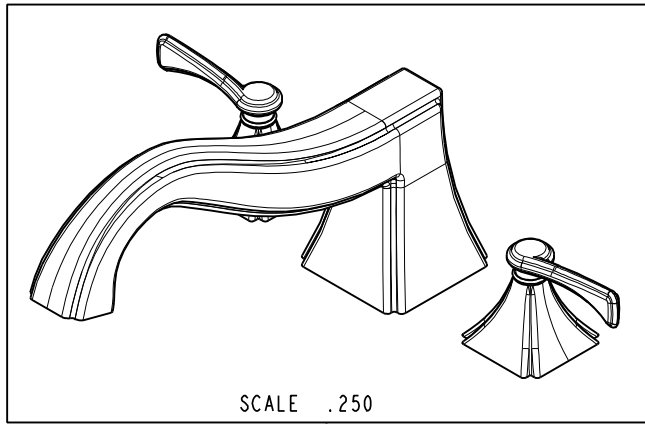
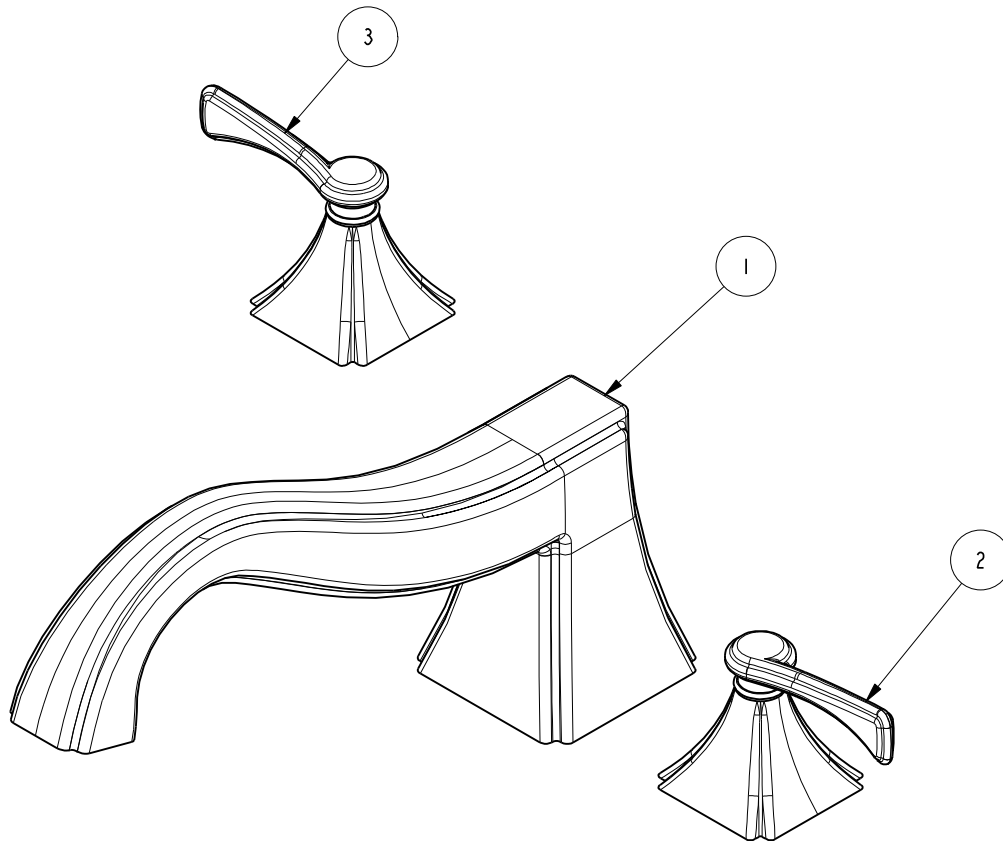
1

NOTES:

(N1) 1. FIT / FORM / FUNCTION SHALL FOLLOW PS-E.008.

BILL OF MATERIAL (CURRENT LEVEL)

ITEM	PT/ASSY	DESCRIPTION	TYPE	QTY.
1	3-563	R/T SPOUT ASM	ASSEMBLY	1
2	3-604	LEVER HANDLE ASM - COLD	ASSEMBLY	1
3	3-605	LEVER HANDLE ASM - HOT	ASSEMBLY	1



D

D

C

C

B

B

A

A

ZONE	REV	DESCRIPTION	DATE	APPROVED
-	A	EN-3435	01/23/18	J.A.
-	-	EN-2772a	02/05/15	J.M

COPYRIGHT 2005 BRASSTECH, INC. THESE DRAWINGS AND THE DESIGNS DEPICTED HEREIN ARE THE PROPRIETARY PROPERTY OF BRASSTECH. ANY USE OR REPRODUCTION IS SUBJECT TO THE EXPRESS APPROVAL OF BRASSTECH. UNAUTHORIZED USE IS STRICTLY PROHIBITED. ALL RIGHTS RESERVED.

TESTING	ASSEMBLY	PLATING	POLISHING	MACHINING	TOOLING	FIXTURE #	APPLICATION
-	-	-	-	-	-	-	REMOVE ALL BURRS AND SHARP EDGES

UNITS ARE: INCHES [MM]
 TOLERANCES ARE:
 FRACTIONS DECIMALS ANGLES
 $\pm 1/16"$.X $\pm .1$ [2.5] $\pm 1"$
 .XX $\pm .06$ [1.5]
 (X.XXX) DENOTES CRITICAL DIMS.
 ALL THREADS ARE CRITICAL
 DRAWN JINSON 01/23/18
 CHECKED J.A. 01/23/18
 APPROVED J.A. 01/23/18

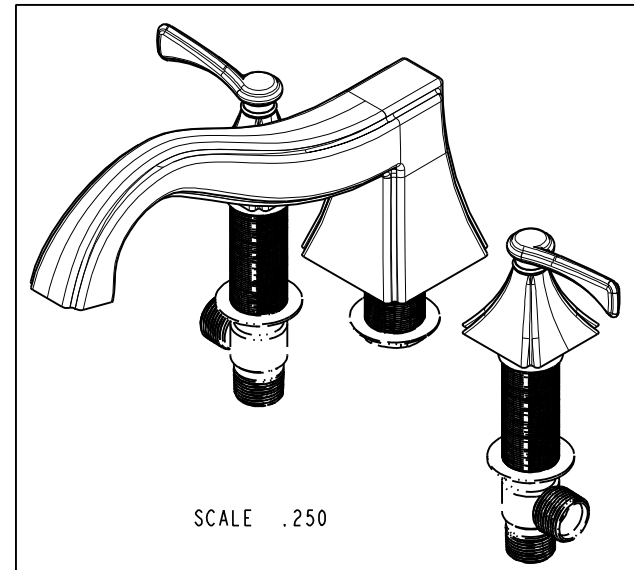
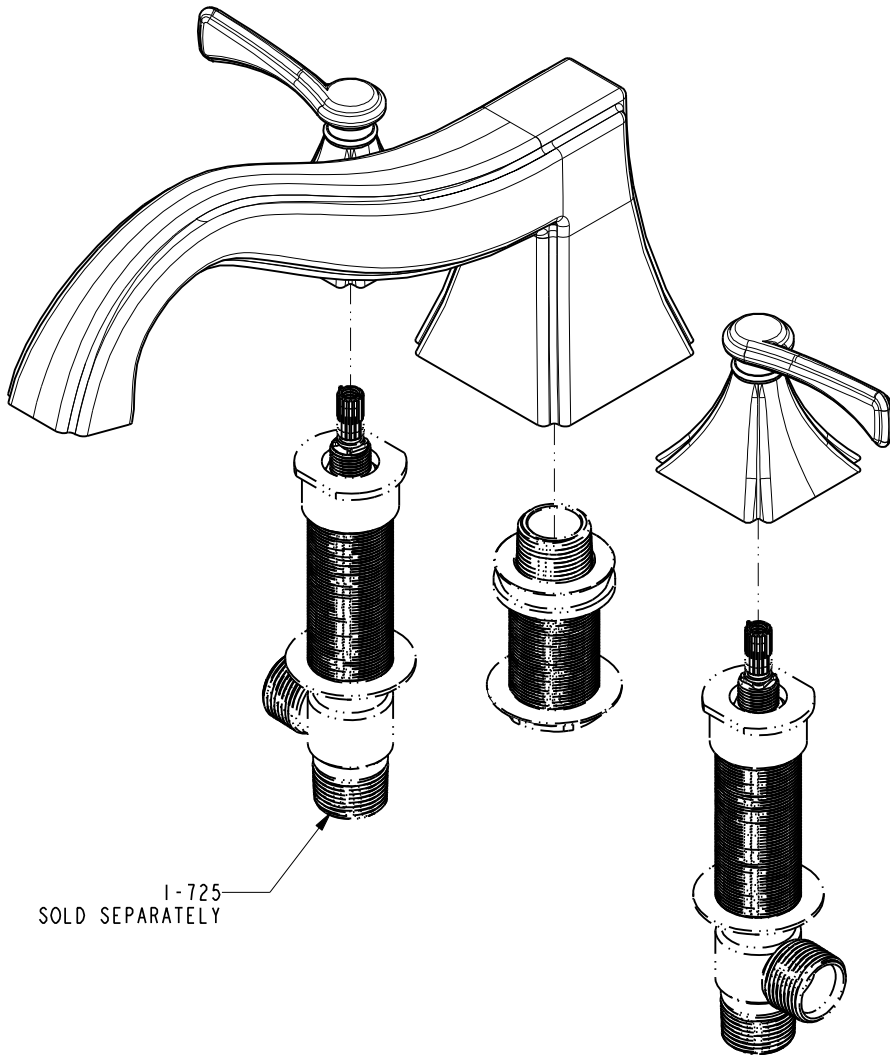
BRASSTECH 2001 CARNEGIE AVE. SANTA ANA, CA 92705 (949) 417-5207
 INCORPORATED
 R/T WITH LEVER HANDLES
 DWG NO. 3-2536 REV A
 SCALE .375 REF. - SHEET 1 OF 3

4

3

2

1



BRASSTECH		2001 E. CARNEGIE AVE.	
INCORPORATED		SANTA ANA, CA 92705	
DWG NO. 3-2536		REV A	
SCALE .375	REF. -	SHEET 2 OF 3	

