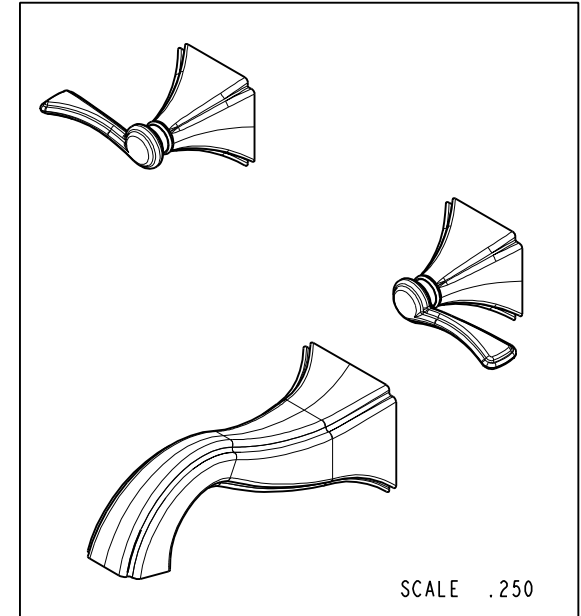
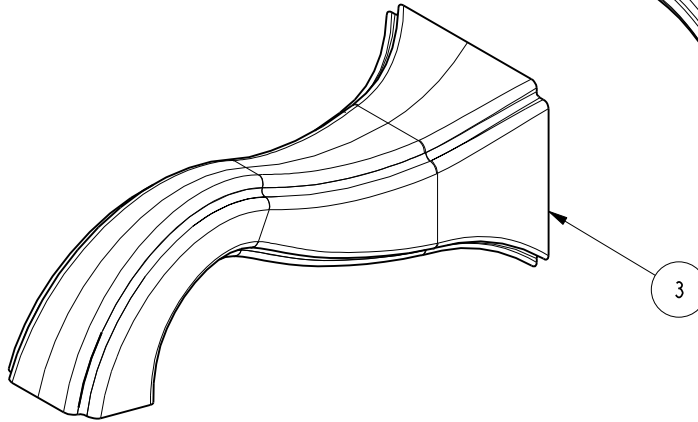
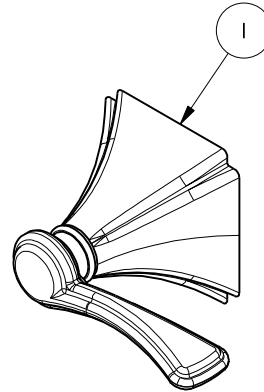
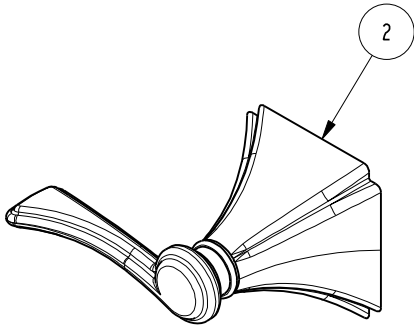


NOTES:

(N1) 1. FIT / FORM / FUNCTION SHALL FOLLOW PS-E.008.

BILL OF MATERIAL (CURRENT LEVEL)

ITEM	PT/ASSY	DESCRIPTION	TYPE	QTY.
1	3-604	LEVER HANDLE ASM - COLD	ASSEMBLY	1
2	3-605	LEVER HANDLE ASM - HOT	ASSEMBLY	1
3	8-009	TUB WALL SPOUT ASM	ASSEMBLY	1



ZONE	REV	DESCRIPTION	DATE	APPROVED
-	B	EN-3435	01/23/18	J.A.
-	A	EN-3072	06/13/16	J.M.
-	-	EN-1735	06/10/11	-

COPYRIGHT 2005 BRASSTECH, INC. THESE DRAWINGS AND THE DESIGNS DEPICTED HEREIN ARE THE PROPRIETARY PROPERTY OF BRASSTECH. ANY USE OR REPRODUCTION IS SUBJECT TO THE EXPRESS APPROVAL OF BRASSTECH. UNAUTHORIZED USE IS STRICTLY PROHIBITED. ALL RIGHTS RESERVED.

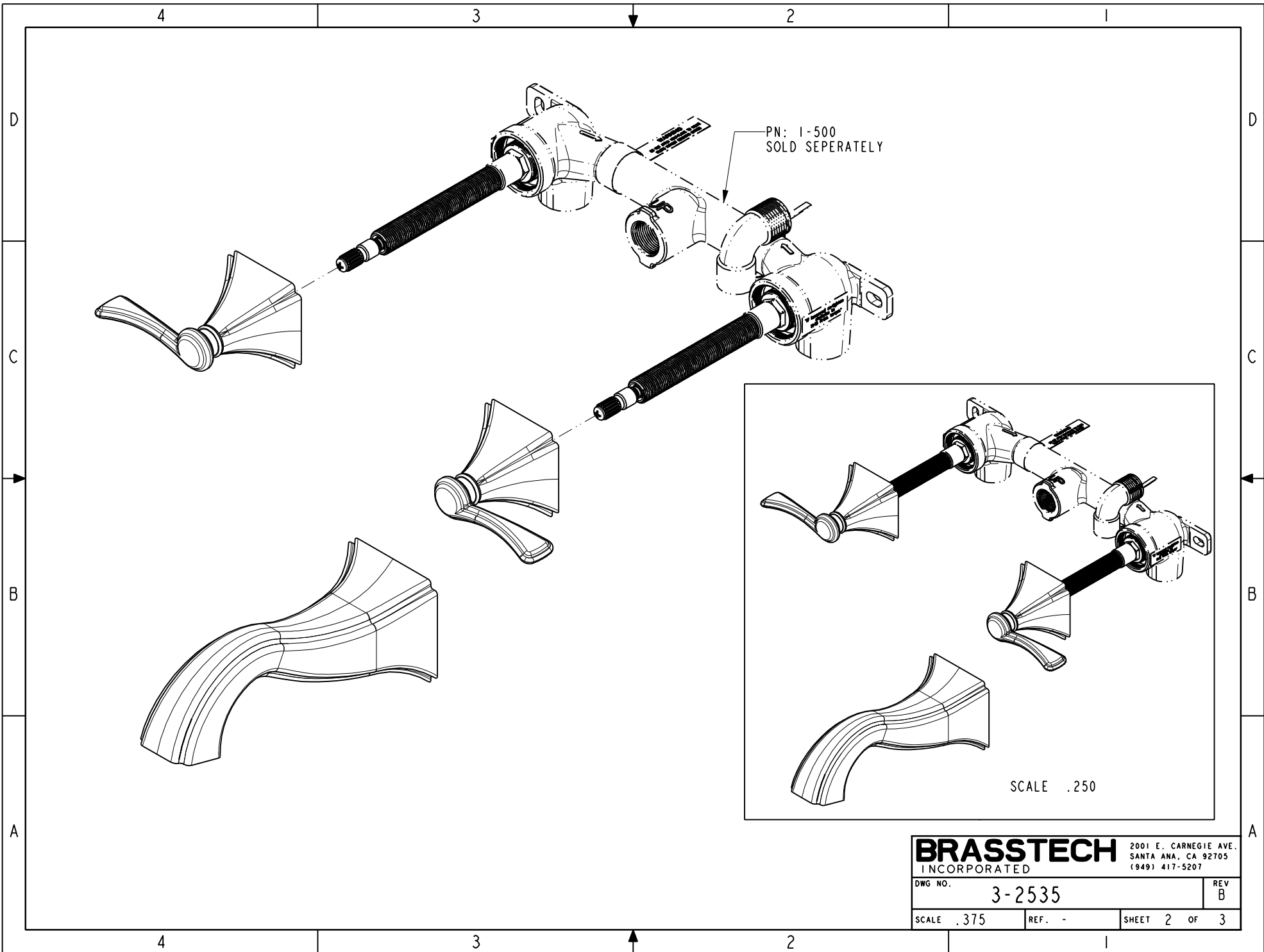
TESTING	ASSEMBLY	PLATING	POLISHING	MACHINING	TOOLING FIXTURE #	APPLICATION
-	-	-	-	-	-	REMOVE ALL BURRS AND SHARP EDGES

UNITS ARE: INCHES [MM]	
TOLERANCES ARE:	
FRACTIONS DECIMALS	ANGLES
±1/16"	±1°
.X ±.1 [2.5]	
.XX ±.06 [1.5]	
(X.XXX) DENOTES CRITICAL DIMS. ALL THREADS ARE CRITICAL	
DRAWN	JINSON 01/23/18
CHECKED	J.A. 01/23/18
APPROVED	J.A. 01/23/18

BRASSTECH 2001 CARNEGIE AVE. SANTA ANA, CA 92705 (949) 417-5207
INCORPORATED

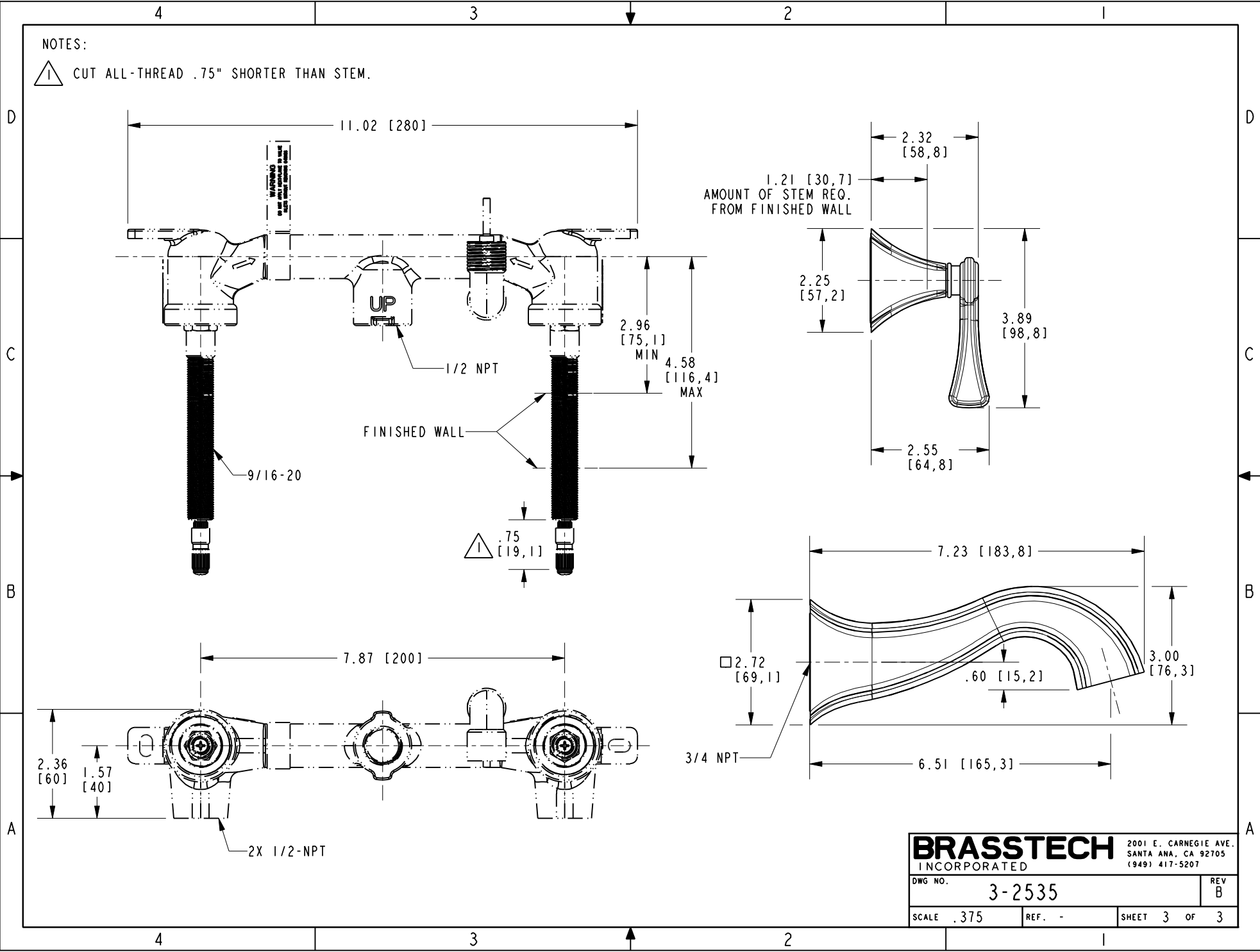
W/M TUB FAUCET-LEVER HANDLES

DWG NO.	3-2535	REV	B
SCALE	.438	REF.	-
SHEET	1	OF	3



NOTES:

⚠ CUT ALL-THREAD .75" SHORTER THAN STEM.



BRASSTECH		2001 E. CARNEGIE AVE. SANTA ANA, CA 92705 (949) 417-5207	
DWG NO.	3-2535		REV B
SCALE .375	REF. -	SHEET 3 OF 3	