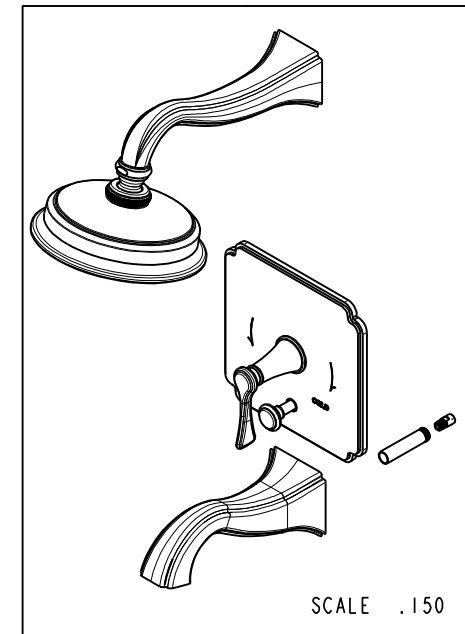
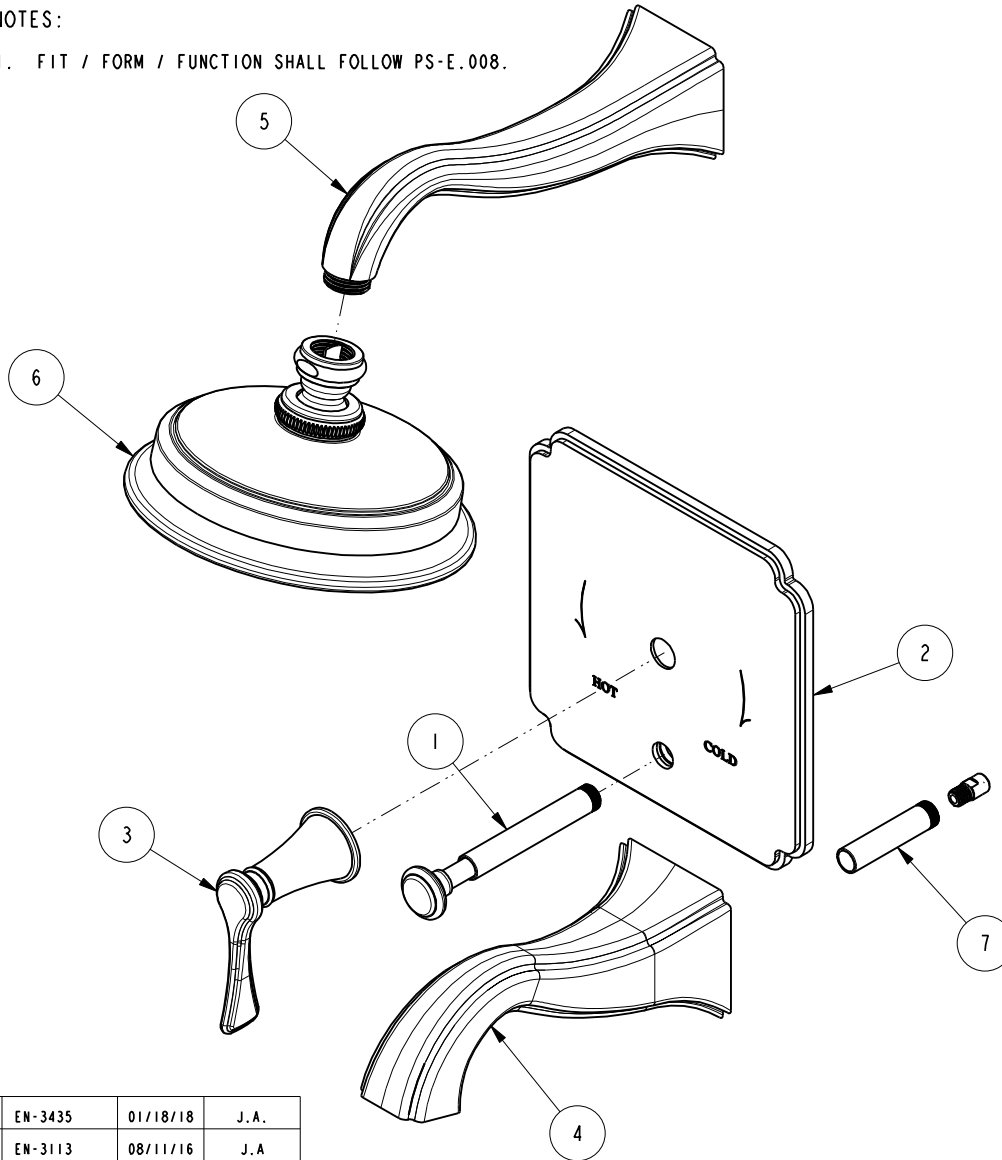


NOTES:

(N1) 1. FIT / FORM / FUNCTION SHALL FOLLOW PS-E.008.

BILL OF MATERIAL (CURRENT LEVEL)

| ITEM | PT/ASSY | DESCRIPTION | TYPE | QTY. |
|------|---------|--------------------------------|----------|------|
| 1 | 8-007 | DIVERTER TRIM ASM | ASSEMBLY | 1 |
| 2 | 8-006 | SHOWER PLATE ASM | ASSEMBLY | 1 |
| 3 | 20-298 | BP LEVER HANDLE ASM | ASSEMBLY | 1 |
| 4 | 8-009 | TUB WALL SPOUT ASM | ASSEMBLY | 1 |
| 5 | 80020 | SHOWER ARM | PART | 1 |
| 6 | 2142 | TRAD. SHOWER HEAD - SINGLE JET | ASSEMBLY | 1 |
| 7 | 2-894 | DIVERTER TRIM KIT (SHORT) | ASSEMBLY | 1 |



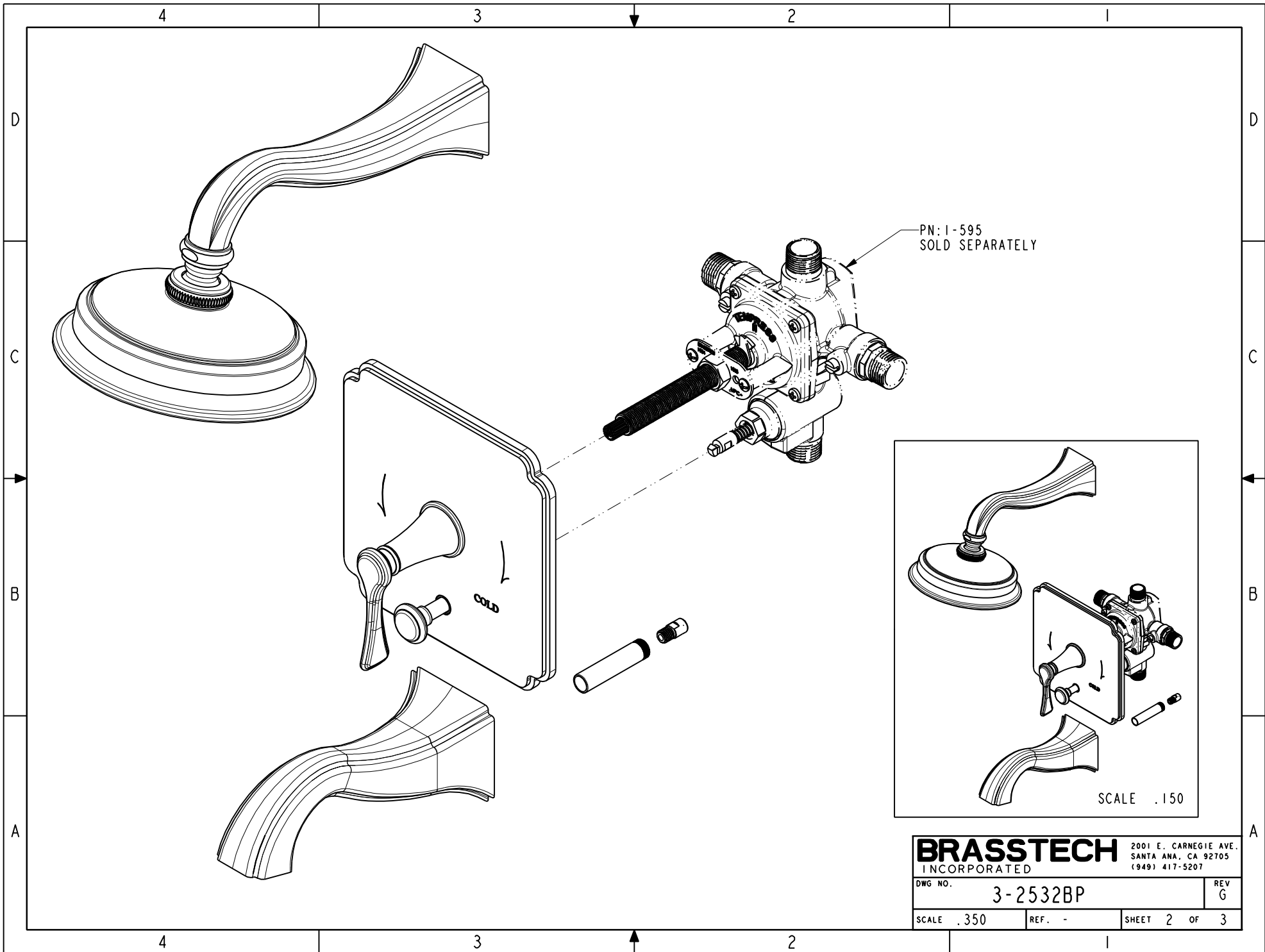
| ZONE | REV | DESCRIPTION | DATE | APPROVED |
|------|-----|-------------|----------|----------|
| - | G | EN-3435 | 01/18/18 | J.A. |
| - | F | EN-3113 | 08/11/16 | J.A. |
| - | E | EN-2027b | 07/07/15 | AN |
| - | D | EN-2452 | 02/07/13 | AN |
| - | C | EN-2068 | 02/09/12 | AN |
| - | B | EN-2027 | 01/12/12 | AN |
| - | A | EN-1805 | 06/29/11 | JM |
| - | - | EN-1735 | 06/10/11 | JM |

COPYRIGHT 2005 BRASSTECH, INC. THESE DRAWINGS AND THE DESIGNS DEPICTED HEREIN ARE THE PROPRIETARY PROPERTY OF BRASSTECH. ANY USE OR REPRODUCTION IS SUBJECT TO THE EXPRESS APPROVAL OF BRASSTECH. UNAUTHORIZED USE IS STRICTLY PROHIBITED. ALL RIGHTS RESERVED.

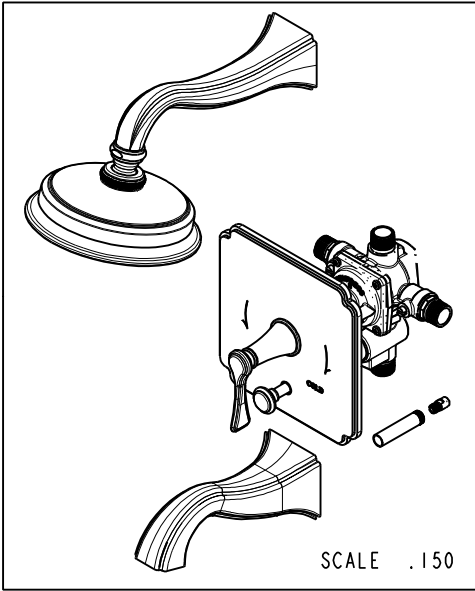
| TESTING | ASSEMBLY | PLATING | POLISHING | MACHINING | TOOLING FIXTURE # | APPLICATION |
|---------|----------|---------|-----------|-----------|-------------------|----------------------------------|
| - | - | - | - | - | - | REMOVE ALL BURRS AND SHARP EDGES |

| UNITS ARE: INCHES [MM] | TOLERANCES ARE: |
|---|-----------------|
| FRACTIONS DECIMALS | ANGLES |
| $\pm 1/16"$ | $\pm 1^\circ$ |
| $.X \pm .1$ [2,5] | |
| $.XX \pm .06$ [1,5] | |
| (X.XXX) DENOTES CRITICAL DIMS. ALL THREADS ARE CRITICAL | |
| DRAWN | JINSON 01/18/18 |
| CHECKED | J.A. 01/18/18 |
| APPROVED | J.A. 01/18/18 |

BRASSTECH 2001 CARNEGIE AVE. SANTA ANA, CA 92705 (949) 417-5207
 INCORPORATED
BP TUB & SHOWER TRIM SET W/ LEVER HANDLE
 DWG NO. **3-2532BP** REV G
 SCALE .300 REF. - SHEET 1 OF 3



PN: 1-595
SOLD SEPARATELY

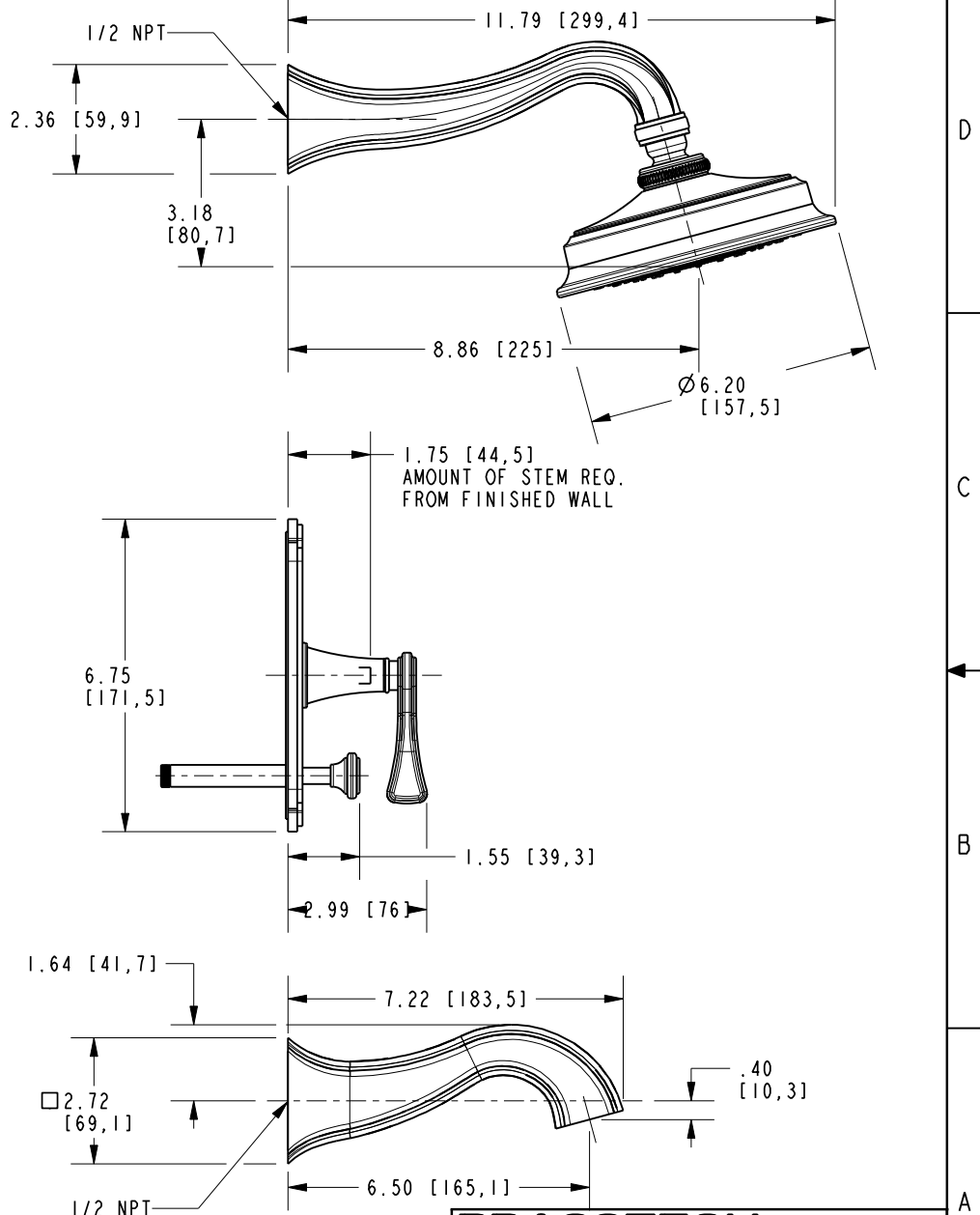
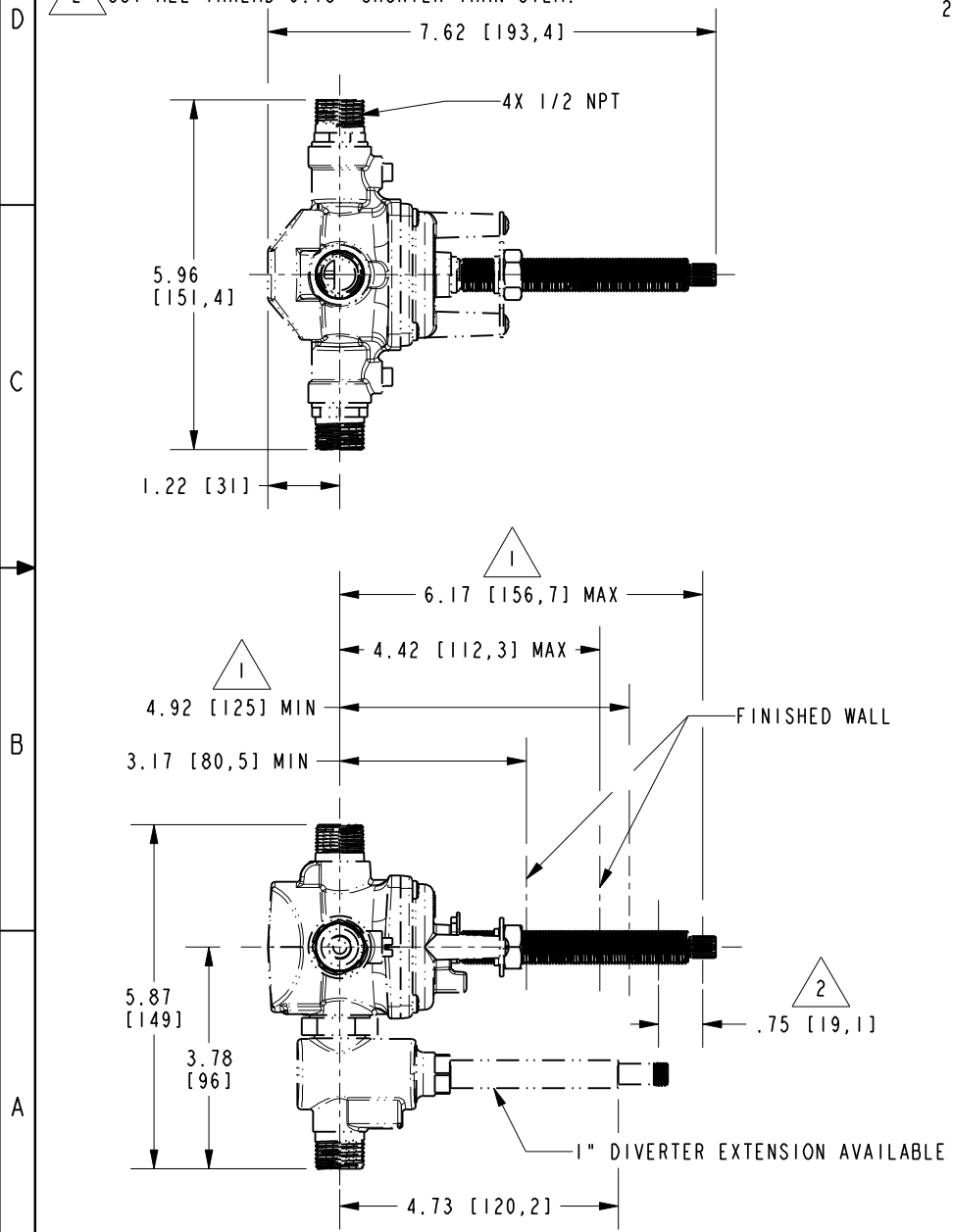


BRASSTECH 2001 E. CARNEGIE AVE.
INCORPORATED SANTA ANA, CA 92705
(949) 417-5207

| | | | |
|------------|----------|---------|------|
| DWG NO. | 3-2532BP | REV | G |
| SCALE .350 | REF. - | SHEET 2 | OF 3 |

NOTES:

- 1 CUT STEM TO DIMENSION SHOWN.
- 2 CUT ALL-THREAD 0.75" SHORTER THAN STEM.



| | | | |
|-------------------|--------|-----------------------|--|
| BRASSTECH | | 2001 E. CARNEGIE AVE. | |
| INCORPORATED | | SANTA ANA, CA 92705 | |
| DWG. NO. 3-2532BP | | REV G | |
| SCALE .312 | REF. - | SHEET 3 OF 3 | |